

LED OUTDOOR – SECURITY LIGHTS INSTALLATION INSTRUCTIONS



Order code	Description	Watts (W)	Volts (V)	Lumens (lm)	Average life (hrs)	Frequency (hz)	Colour temp. (K)	Operating temperature (°C / °F)
64600	LED/SL2H/24W/30K/120-277V/MS/BRZ/STD	24	120/277	1980	50 000	50/60	3 000	- 40 °C / - 40 °F to 40 °C / 104 °F
64601	LED/SL2H/24W/30K/120-277V/MS/WH/STD	24	120/277	1980	50 000	50/60	3 000	- 40 °C / - 40 °F to 40 °C / 104 °F
64602	LED/SL2H/24W/40K/120-277V/MS/BRZ/STD	24	120/277	2058	50 000	50/60	4 000	- 40 °C / - 40 °F to 40 °C / 104 °F
64603	LED/SL2H/24W/40K/120-277V/MS/WH/STD	24	120/277	2058	50 000	50/60	4 000	- 40 °C / - 40 °F to 40 °C / 104 °F

WARNING

Before assembling any lighting fixture, please make sure that you carefully read through these instructions. Installation requires a person familiar with the construction and operation of the luminaire's electrical systems and the hazards involved. If not qualified, do not attempt installation. Contact a qualified electrician. Do not install damaged product.

All electrical connections must be in accordance with all building and electrical codes. This fixture is intended to be connected to a properly installed and grounded UL listed junction box (standard 4"x 2 1/2" metal octagonal junction box).

- ▶ Risk of fire. Keep combustible and other materials that can burn, away from lamp/lens. Do not operate in close proximity to combustible materials or substances affected by heat.
- ▶ Only use fixture in its intended location.

INSTALLATION INSTRUCTIONS

Before beginning installation and to prevent electrical shock, disconnect or turn power OFF at the electrical panel. Make sure the voltage matches the fixture rating. Make all electrical and grounded connections in accordance with the National Electrical Code (NEC) and any applicable local code requirements. All wiring connections should be capped with UL approved wire connectors.

1. Prepare fixture and mount crossbar plate:

- ▶ If there is an existing fixture, remove it. Expose the supply wires from the j-box. Mount the crossbar plate to the junction box.

2. Make wire connections:

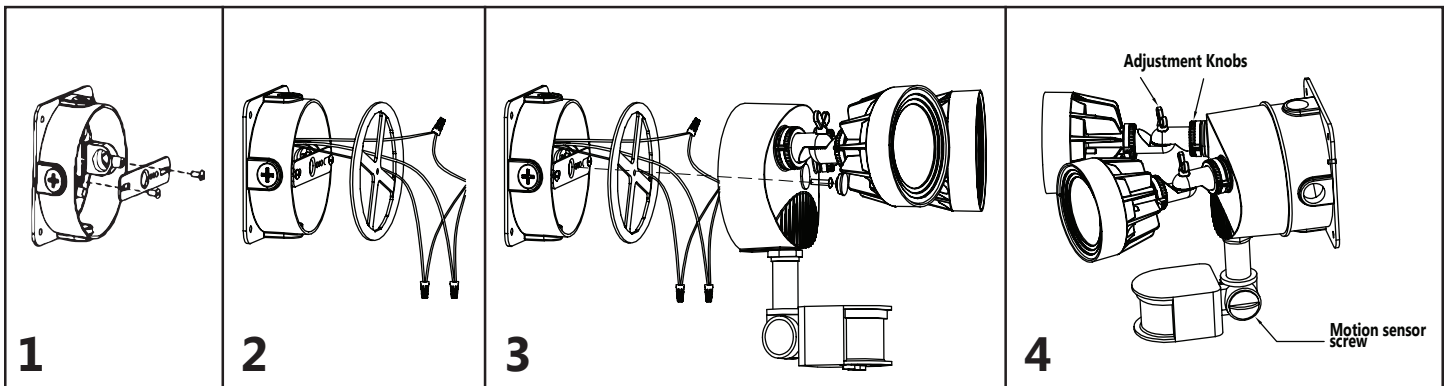
- ▶ Gently pull the supply wires through the hole in the gasket. Connect the black supply wire to the black fixture wire. Secure with wire nuts. Connect the white supply wires to the white fixture wire. Secure with wire nuts. Either wrap the green wire around one of the protruding screws or connect it to the supply ground wire. Secure all wires with electrical tape. Carefully tuck all wires back into the j-box.

3. Mount fixture to crossbar plate:

- ▶ Position the fixture over the crossbar plate. Align the holes in the center of the crossbar plates and secure with the screw and rubber cover.

4. Adjust the light angle by knob and adjust the motion sensor range by screw

5. Restore the electricity and check the operation

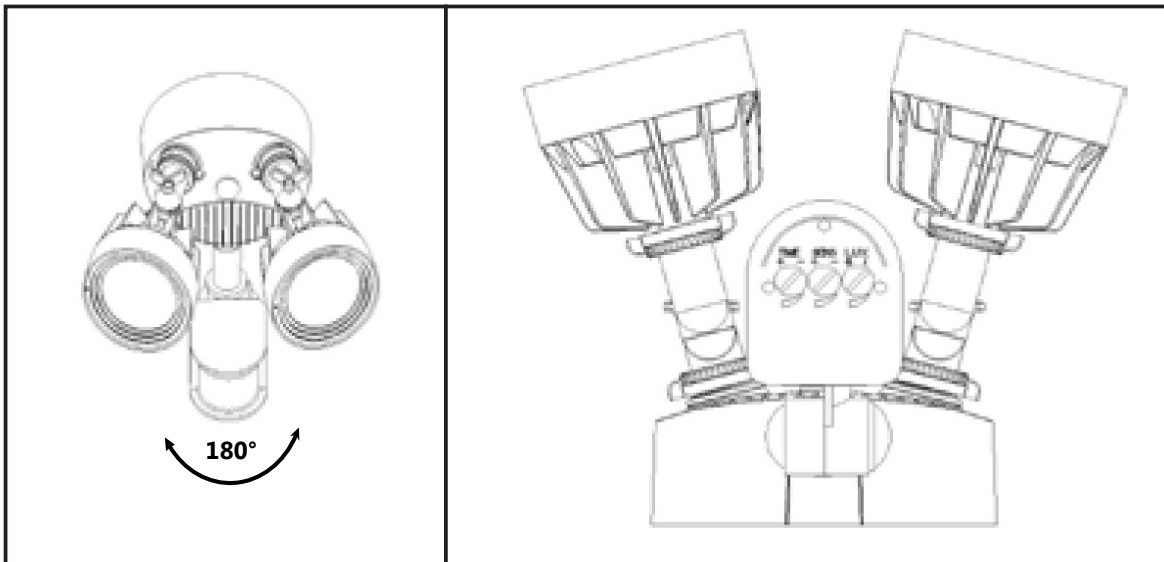


LED OUTDOOR – SECURITY LIGHTS INSTALLATION INSTRUCTIONS



INSTALLATION SPECIFIC NOTES:

- ▶ Lamp heads must be positioned above the motion sensor head; and controls on the motion sensor must face the ground.
- ▶ Aim lamp heads and install optional visors.
- ▶ Aim lamp heads at least 20° down below horizontal in order to prevent water from accumulating inside the lens.
- ▶ Apply silicone caulking (not included) around the perimeter of the fixture where it comes into contact with the mounting surface to seal against exposure to moisture.
- ▶ After installing your motion activated light you are ready to set/aim the motion sensor. Make sure the wall switch is in the ON position.
- ▶ Do not use with dimmers or timers or on multiple switch circuits.
- ▶ Do not install on the same circuit as an electric motor (i.e. Appliances, HVAC equipment, washer/dryer garage door openers, etc.)
- ▶ Avoid installing the luminaire under the sunshine or air stream and temperature alterations.
- ▶ Avoid impacting the lens device with sharp objects and coarse pollutants.
- ▶ To prevent wiring damage or abrasion, do not expose wiring to edges of sheet metal or other sharp objects.
- ▶ Detection angle: 180°
- ▶ Once installation is complete, turn anti-clockwise the sensitivity knob (SENS) to the end and turn anti-clockwise the time knob (TIME) to the end before you switch on the power. Turn the light-control knob (LUX) clockwise to the maximum value.
- ▶ Switch the power ON, it may take up to 30 seconds for the lights to turn on. After the lights turn off, activate motion to turn the lights back on after 5 sec.



MOTION SENSOR ADJUSTMENTS

1. To adjust the light period to your preferred state, use the time adjustment knob. Rotate the knob towards the (+) sign and increase the time delay (up to 8 min ± 2 min). Rotate the knob towards the (-) sign and reduce the time delay (down to 10 sec ± 5 sec).
2. To adjust the detection range, use the sensitivity adjustment knob. Rotate the knob towards the (+) sign and increase the detection range (as far as 65 ft. / 20 m). Rotate the knob towards the (-) sign and reduce the detection range (as close as 6 ft. / 2 m).
3. To adjust the ambient light state, use the lux adjustment knob. Rotate the knob towards the moon and the sensor will turn the lights ON from dusk to dawn. Rotate the knob towards the sun and the sensor will turn ON the lights during the day and night.
4. Always ON mode. In the power-on infrared sensing mode, turn ON and OFF the lights twice within 8 sec changing to always-on mode. Turn OFF the power for more than 10 sec and then turned it ON again changing back to infrared sensing mode.

MAINTENANCE

It may occasionally be necessary to clean the outside of the refractor/lens. Refractor/lens should be washed in a solution of warm water and any mild, non-abrasive household detergent, then rinsed with clean water and wiped dry. Should the optical assembly become dirty on the inside, wipe refractor/lens and clean in above manner, replacing damaged gaskets as necessary.