

INDICATOR LIGHT, 22MM, ROUND, METAL, SHINY, GREEN, SMOOTH LENS



Figure similar

product brand name	SIRIUS ACT
Product designation	Commanding and signaling devices
Design of the product	Pilot Light

Actuator:

Color	
• of the actuating element	Green
Material of the actuating element	plastic
Shape of the actuating element	round
Outer diameter of the actuating element	29.45 mm

Front ring:

Product component front ring	No
------------------------------	----

General technical data:

Protection class IP	IP66, IP67, IP69(IP69K)
Degree of protection NEMA rating	NEMA 1, 2, 3, 3R, 4, 4X, 12
Shock resistance	
• acc. to IEC 60068-2-27	Sinusoidal half-wave 50 g / 11 ms
Vibration resistance	
• acc. to IEC 60068-2-6	10 ... 500 Hz: 5g

Equipment marking	
• acc. to DIN EN 61346-2	P
• acc. to DIN EN 81346-2	P

Connections/ Terminals:

Tightening torque of the screws in the bracket	1 ... 1.2 N·m
-------------------------------------------------------	---------------





Ambient conditions:

Ambient temperature	
• during operation	-25 ... +70 °C
• during storage	-40 ... +80 °C

Installation/ mounting/ dimensions:

Height	29.5 mm
Width	29.5 mm
Shape of the installation opening	round
Mounting diameter	22.3 mm
Mounting height	11.8 mm
Installation width	29.5 mm
Installation depth	24.4 mm

Certificates/approvals

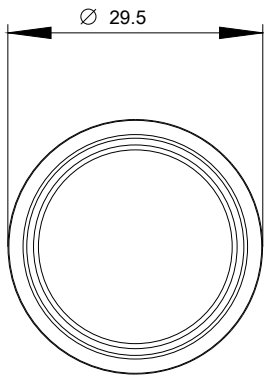
General Product Approval	Declaration of Conformity	Test Certificates
 CSA  UL	 EAC  CE EG-Konf.	Werksbescheinigung gen
		spezielle Prüfbescheinigung n

other

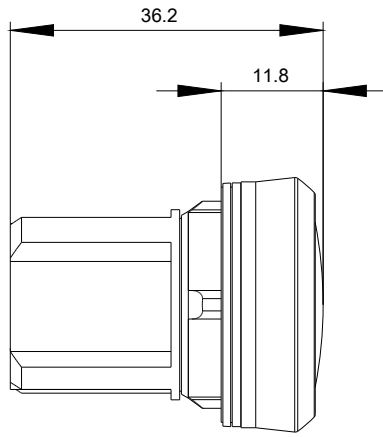
[Bestätigungen](#)

Further information

- Information- and Downloadcenter (Catalogs, Brochures,...)**
<http://www.siemens.com/industrial-controls/catalogs>
- Industry Mall (Online ordering system)**
<https://mall.industry.siemens.com/mall/en/en/Catalog/product?mlfb=3SU10516AA400AA0>
- Cax online generator**
<http://support.automation.siemens.com/WW/CAXorder/default.aspx?lang=en&mlfb=3SU10516AA400AA0>
- Service&Support (Manuals, Certificates, Characteristics, FAQs,...)**
<https://support.industry.siemens.com/cs/ww/en/ps/3SU10516AA400AA0>
- Image database (product images, 2D dimension drawings, 3D models, device circuit diagrams, EPLAN macros, ...)**
http://www.automation.siemens.com/bilddb/cax_de.aspx?mlfb=3SU10516AA400AA0&lang=en



last modified:



10.03.2016