

LED module with integrated LED 24 V AC/DC, yellow, screw-type terminal, for front plate mounting, Minimum order quantity 5 or a multiple thereof



|                          |            |
|--------------------------|------------|
| Product brand name       | SIRIUS ACT |
| Product designation      | LED module |
| Product type designation | 3SU1       |

**General technical data**

|  |  |
|--|--|
| <b>Product component</b>   |  |
| <ul style="list-style-type: none"> <li>• diode</li> <li>• lamp transformer</li> <li>• Light source</li> <li>• series resistor</li> </ul> | <ul style="list-style-type: none"> <li>Yes</li> <li>No</li> <li>Yes</li> <li>No</li> </ul> |
| <b>Insulation voltage</b>  |  |
| <ul style="list-style-type: none"> <li>• rated value</li> </ul>  | 320 V  |
| <b>Degree of pollution</b>   | 3  |
| <b>Type of voltage</b>   |  |
| <ul style="list-style-type: none"> <li>• of the operating voltage</li> <li>• for actuation</li> </ul>                                    | <ul style="list-style-type: none"> <li>AC/DC</li> <li>AC/DC</li> </ul>                     |
| <b>Surge voltage resistance rated value</b>  | 4 kV   |
| <b>Consumed current</b>  |  |
| <ul style="list-style-type: none"> <li>• maximum</li> </ul>  | 20 mA  |
| <b>Protection class IP</b>   |  |

|   |   |
|---|---|
| <ul style="list-style-type: none"> <li>• of the enclosure</li> <li>• of the terminal</li> </ul>   | <p>IP40</p> <p>IP20</p>   |
| <b>Shock resistance</b> <ul style="list-style-type: none"> <li>• acc. to IEC 60068-2-27</li> <li>• for railway applications acc. to DIN EN 61373</li> </ul>   | <p>Sinusoidal half-wave 50 g / 11 ms</p> <p>Category 1, Class B</p> |
| <b>Vibration resistance</b> <ul style="list-style-type: none"> <li>• acc. to IEC 60068-2-6</li> <li>• for railway applications acc. to DIN EN 61373</li> </ul>  | <p>10 ... 500 Hz: 5g</p> <p>Category 1, Class B</p>                 |
| <b>Operating period typical</b>   | 100 000 h   |
| <b>Reference code acc. to DIN EN 81346-2</b>  | P   |
| <b>Reference code acc. to DIN EN 61346-2</b>  | P   |
| <b>Operating voltage 1</b> <ul style="list-style-type: none"> <li>• at AC <ul style="list-style-type: none"> <li>— at 50 Hz rated value</li> <li>— at 60 Hz rated value</li> </ul> </li> <li>• at DC rated value</li> </ul> | <p>24 V</p> <p>24 V</p> <p>24 V</p>                                 |
| <b>Relative positive tolerance of the operating voltage</b>   | 20 %  |
| <b>Relative negative tolerance of the operating voltage</b>   | 20 %  |

#### Control circuit/ Control

|                               |     |
|-------------------------------|-----|
| <b>Inrush current maximum</b> | 2 A |
|-------------------------------|-----|

#### Connections/ Terminals

|   |  |
|---|--|
| <b>Type of electrical connection</b>  | screw-type terminals   |
| <b>Type of connectable conductor cross-sections</b> <ul style="list-style-type: none"> <li>• solid with core end processing</li> <li>• solid without core end processing</li> <li>• finely stranded with core end processing</li> <li>• finely stranded without core end processing</li> <li>• at AWG conductors</li> </ul> | <p>2x (0.5 ... 0.75 mm<sup>2</sup>)</p> <p>2x (1.0 ... 1.5 mm<sup>2</sup>)</p> <p>2x (0.5 ... 1.5 mm<sup>2</sup>)</p> <p>2x (1,0 ... 1,5 mm<sup>2</sup>)</p> <p>2x (18 ... 14)</p> |
| <b>Tightening torque</b> <ul style="list-style-type: none"> <li>• with screw-type terminals</li> </ul>  | 0.8 ... 0.9 N·m  |

#### Lamp

|   |                     |
|---|---------------------|
| <b>Type of light source</b>   | LED                 |
| <b>Color of the light source</b>  | yellow              |
| <b>Light intensity</b>  | 900 ... 1 400 mcd   |
| <b>Certificate of suitability</b> <ul style="list-style-type: none"> <li>• ATEX</li> <li>• IECEx</li> </ul> | <p>No</p> <p>No</p> |

#### Ambient conditions

|   |   |
|---|---|
| <b>Ambient temperature</b> <ul style="list-style-type: none"> <li>• during operation</li> <li>• during storage</li> </ul> | <p>-25 ... +70 °C</p> <p>-40 ... +80 °C</p> |
|---|---|

Environmental category during operation acc. to IEC 60721

3M6, 3S2, 3B2, 3K6 (with relative air humidity of 10 ... 95 %, no condensation in operation permitted)

### Installation/ mounting/ dimensions

#### Mounting type

- of modules and accessories

Front plate mounting

#### Height

33.2 mm

#### Width

9.8 mm

#### Depth

29.4 mm

### Certificates/ approvals

#### General Product Approval

#### EMC

#### Declaration of Conformity



CCC



CSA



UL



RCM



EG-Konf.

#### Declaration of Conformity

[Miscellaneous](#)

#### Test Certificates

[Special Test Certificate](#)

#### Marine / Shipping

[Type Test Certificates/Test Report](#)



ABS



LRS



PRS

#### Marine / Shipping

#### other



RINA



RMRS



DNVGL.COM/AF

[Confirmation](#)

### Further information

**Information- and Downloadcenter (Catalogs, Brochures,...)**

[www.siemens.com/sirius/catalogs](http://www.siemens.com/sirius/catalogs)

**Industry Mall (Online ordering system)**

<https://mall.industry.siemens.com/mall/en/en/Catalog/product?mlfb=3SU1401-1BB30-1AA0>

**Cax online generator**

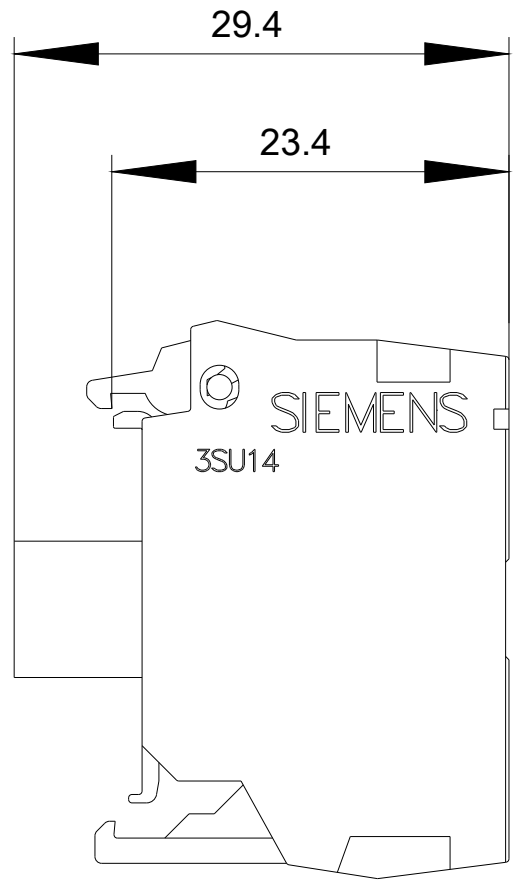
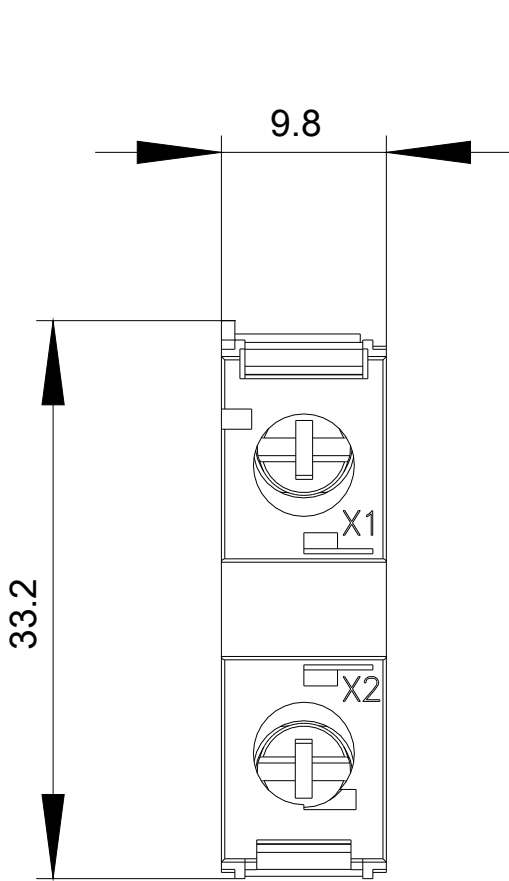
<http://support.automation.siemens.com/WW/CAXorder/default.aspx?lang=en&mlfb=3SU1401-1BB30-1AA0>

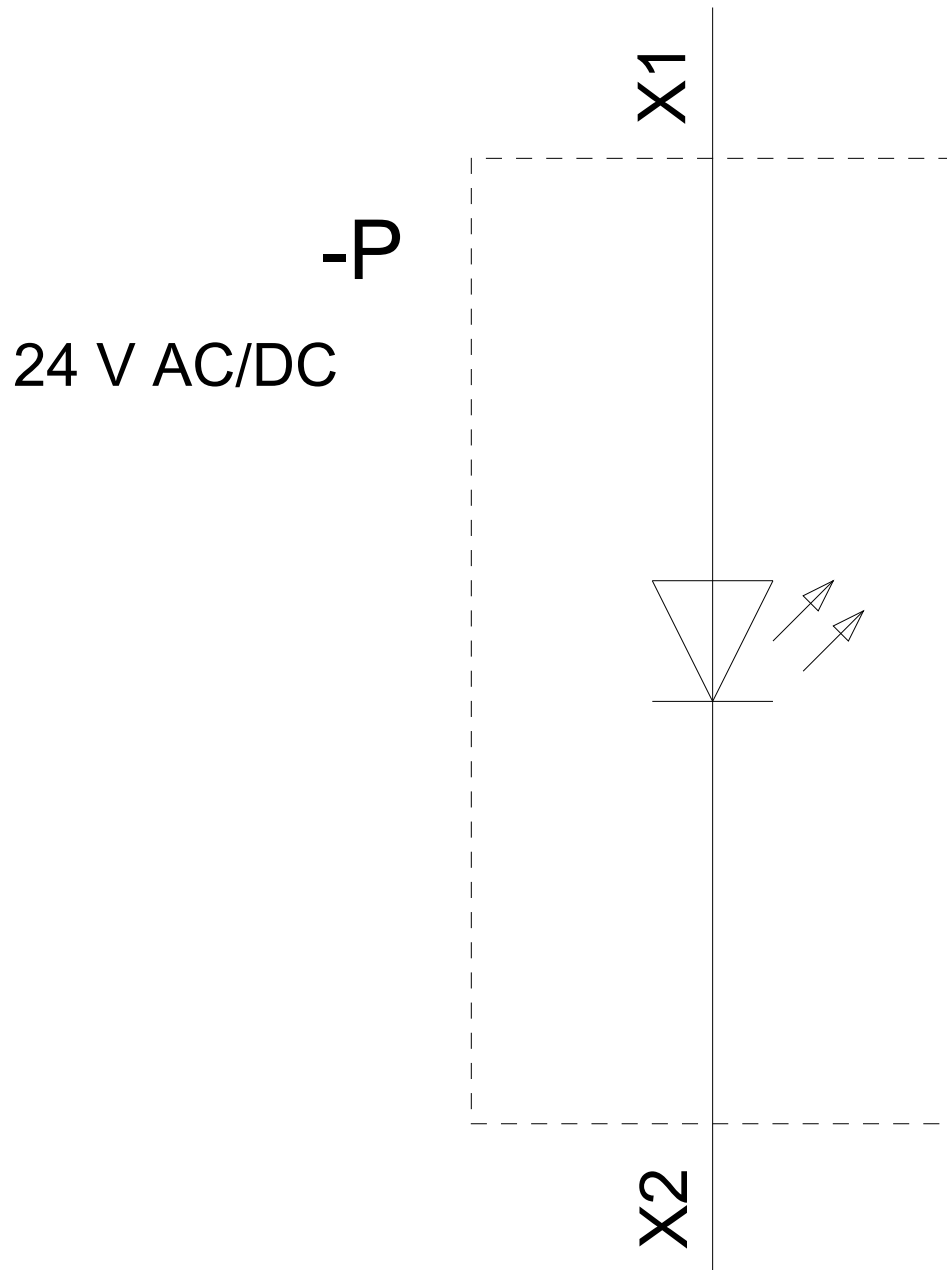
**Service&Support (Manuals, Certificates, Characteristics, FAQs,...)**

<https://support.industry.siemens.com/cs/ww/en/ps/3SU1401-1BB30-1AA0>

**Image database (product images, 2D dimension drawings, 3D models, device circuit diagrams, EPLAN macros, ...)**

[http://www.automation.siemens.com/bilddb/cax\\_de.aspx?mlfb=3SU1401-1BB30-1AA0&lang=en](http://www.automation.siemens.com/bilddb/cax_de.aspx?mlfb=3SU1401-1BB30-1AA0&lang=en)





last modified:

10/30/2019