

EMERGENCY STOP MUSHR. PUSHB., CAN BE ILLUMINATED, 22MM, ROUND, METAL, SHINY, RED, 40MM, POSITIVE LATCHING, ROTATE TO UNLATCH



Figure similar

product brand name	SIRIUS ACT
Product designation	Commanding and signaling devices
Design of the product	EMERGENCY STOP mushroom pushbutton

Enclosure:

Number of command points	1
--------------------------	---

Actuator:

Design of the operating mechanism	EMERGENCY STOP mushroom pushbutton; tamper-proof
Manner of function of the actuating element	Latching
Product extension optional Light source	Yes
Color	
• of the actuating element	Red
Material of the actuating element	plastic
Shape of the actuating element	round
Outer diameter of the actuating element	40 mm
Type of unlocking device	rotate-to-unlatch mechanism
Number of switching positions	2

Front ring:

Product component front ring	No
------------------------------	----

General technical data:

Product function	
• positive opening	Yes
• EMERGENCY OFF function	Yes
• EMERGENCY STOP function	Yes
Protection class IP	IP66, IP67, IP69(IP69K)
Degree of protection NEMA rating	NEMA 1, 2, 3, 3R, 4, 4X, 12
Shock resistance	
• acc. to IEC 60068-2-27	Sinusoidal half-wave 50 g / 11 ms
Vibration resistance	
• acc. to IEC 60068-2-6	10 ... 500 Hz: 5g
Operating frequency maximum	600 1/h
Mechanical service life (switching cycles)	
• typical	300 000
Equipment marking	
• acc. to DIN EN 61346-2	S
• acc. to DIN EN 81346-2	S

Safety related data:

B10 value	
• with high demand rate acc. to SN 31920	100 000

Ambient conditions:

Ambient temperature	
• during operation	-25 ... +70 °C
• during storage	-40 ... +80 °C

Installation/ mounting/ dimensions:

Shape of the installation opening	round
Mounting diameter	22.3 mm
Mounting height	45.3 mm
Installation width	40 mm
Installation depth	26.3 mm

Certificates/approvals

General Product Approval	Declaration of Conformity	Test Certificates
--------------------------	---------------------------	-------------------



[Werksbescheinigung](#)

Test Certificates	other
-------------------	-------

[spezielle Prüfbescheinigungen](#)

[Bestätigungen](#)

Further information

Information- and Downloadcenter (Catalogs, Brochures,...)

<http://www.siemens.com/industrial-controls/catalogs>

Industry Mall (Online ordering system)

<https://mall.industry.siemens.com/mall/en/en/Catalog/product?mfb=3SU10511HB200AA0>

Cax online generator

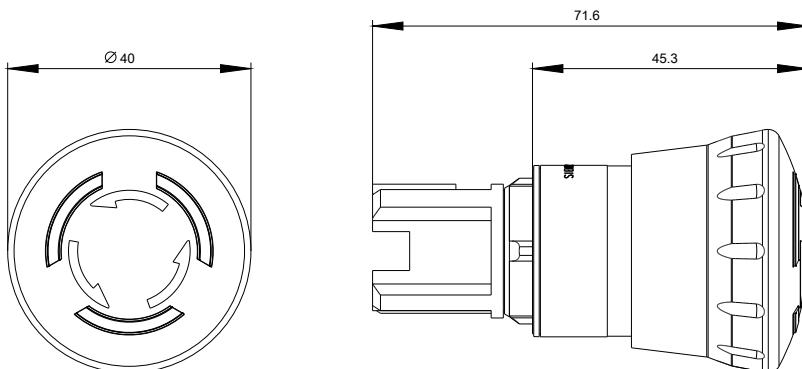
<http://support.automation.siemens.com/WW/CAXorder/default.aspx?lang=en&mfb=3SU10511HB200AA0>

Service&Support (Manuals, Certificates, Characteristics, FAQs,...)

<https://support.industry.siemens.com/cs/ww/en/ps/3SU10511HB200AA0>

Image database (product images, 2D dimension drawings, 3D models, device circuit diagrams, EPLAN macros, ...)

http://www.automation.siemens.com/bilddb/cax_de.aspx?mfb=3SU10511HB200AA0&lang=en



last modified:

16.03.2016