

# IVEPARK™ INSTALLATION INSTRUCTIONS



Thank you for buying RAB lighting fixtures. Our goal is to design the best quality products to get the job done right. We'd like to hear your comments. Call the Marketing Department at 888-RAB-1000 or email: [marketing@rablighting.com](mailto:marketing@rablighting.com)



IVEPARK  
(SURFACE MOUNT)



TRUNNION MOUNT



WALL MOUNT



UNIVERSAL POLE MOUNT

## IMPORTANT

**READ CAREFULLY BEFORE INSTALLING FIXTURE. RETAIN THESE INSTRUCTIONS FOR FUTURE REFERENCE.**

Fixtures must be wired in accordance with the National Electrical Code and all applicable local codes. Proper grounding is required for safety. THIS PRODUCT MUST BE INSTALLED IN ACCORDANCE WITH THE APPLICABLE INSTALLATION CODE BY A PERSON FAMILIAR WITH THE CONSTRUCTION AND OPERATION OF THE PRODUCT AND THE HAZARDS INVOLVED.

**WARNING: Make certain power is OFF before installing or maintaining fixture. No user-serviceable parts inside.**

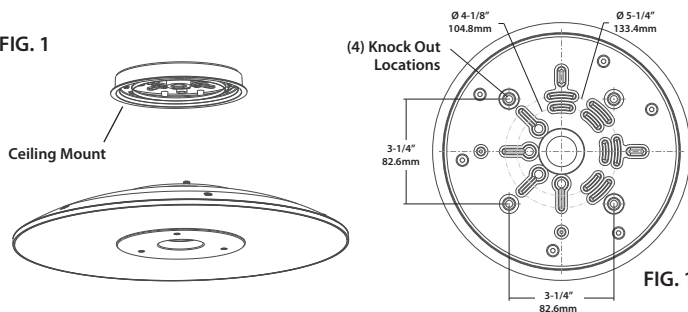
**CAUTION: For a proper weatherproof function, all gaskets must be seated properly and all screws inserted and tightened firmly. Apply weatherproof silicone sealant around the edge of the Junction Box. This is especially important with an uneven ceiling surface. Silicone all plugs and unused conduit entries.**

## CEILING MOUNTING

Fixture is suitable for outdoor applications in wet locations.

1. Remove the **ceiling mount** from the back of the fixture by rotating counter-clockwise.
2. Install the ceiling mount to the ceiling by knocking out (4) **Knock Out Locations** as marked in Fig. 1b. Use the appropriate mounting hardware for the mounting surface (Fig. 1). May alternately be mounted to recessed junction boxes.
3. For hands-free wiring hang the fixture using the included tether. Connect supply wires to **Fixture Wires**. Use appropriate UL approved wire connectors as required by code to complete wiring.
4. Attach fixture to ceiling mount by raising the fixture up to the ceiling mount and rotating clockwise to lock into place
5. If mounting surface is irregular, use caulk to seal any gaps around Junction Box.

FIG. 1

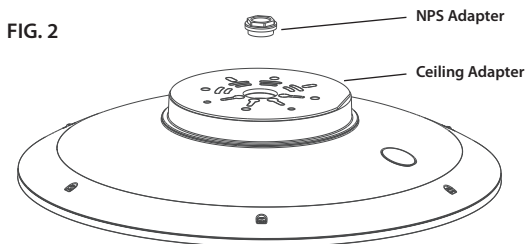


## PENDANT MOUNTING

Fixture can be mounted to a 1/2" or 3/4" NPS Pendant. 1/2" to 3/4" NPS Adaptor is included.

1. Feed supply wires through Pendant (supplied by others).
2. Remove the ceiling mount from the back of the fixture by rotating counter-clockwise.
3. Mount the **ceiling mount** to the Pendant. For 3/4" Pendant, remove the **NPS Adaptor**.
4. For hands-free wiring hang the fixture using the included tether. Connect supply wires to **Fixture Wires**. Use appropriate UL approved wire connectors as required by code to complete wiring.
5. Attach fixture to ceiling mount by raising the fixture up to the ceiling mount and rotating clockwise to lock into place.

FIG. 2



Note: These instructions do not cover all details or variations in equipment nor do they provide for every possible situation during installation, operation or maintenance.

To reduce the risk of electric shock, disconnect both normal and emergency power supplies and converter connector of the emergency ballast before servicing. Do not attempt to service the emergency ballast. The use of accessory equipment may cause an unsafe condition. Do not use this product for other than intended use. Refer any servicing indicated by these checks to a Qualified Service Personnel.



© 2018 RAB LIGHTING Inc.  
Northvale, New Jersey 07647 USA

IVEPARK 1018

## Easy Answers

[rablighting.com](http://rablighting.com)  
Visit our website for product info

Tech Help Line  
Call our experts - 888 722-1000

e-mail  
Answered promptly - [sales@rablighting.com](mailto:sales@rablighting.com)

Free Lighting Layouts  
Answered online or by request

# IVEPARK™ INSTALLATION INSTRUCTIONS



Thank you for buying RAB lighting fixtures. Our goal is to design the best quality products to get the job done right. We'd like to hear your comments. Call the Marketing Department at 888-RAB-1000 or email: [marketing@rablighting.com](mailto:marketing@rablighting.com)

## POLE MOUNTING

### MOUNTING THE UNIVERSAL ARM ON THE FIXTURE

1. Remove the Arm Cover from the Arm.
2. Attach ceiling mount to arm using screws (not provided)
3. Feed wires from Fixture through ceiling mount into Arm.
4. Line up Arm and Fixture. Attach fixture to secured ceiling cover with a clockwise twist

### SQUARE POLE BRACKET MOUNT

1. Remove Round pole adaptor and RPA gasket.
2. Place the Bolster plate inside the pole.
3. Place the bracket to match the holes on the pole (as shown in fig 3)
4. Feed supply wires from the pole through the Bracket to be connected to the Arm.
5. Place flat washers, lock washers and nuts on the Short 3/8-16 bolts tighten to the pole

### ROUND POLE BRACKET MOUNT

1. Place Round Pole Adaptor (RPA) and RPA Gasket between the fixture and drilled Pole as shown in Fig.4.
2. Line up the holes of the Gaskets and Round Pole Adaptor with top hole in the pole drilling pattern.
3. Feed supply wires from the pole through the Bracket to be connected to the Arm.
4. Place long 3/8" Bolts provided through the top hole of the RPA and Gaskets to the Round Pole thread into Bolster Plate

### MOUNTING FIXTURE TO THE POLE

1. Remove the Arm Cover from the Arm.
2. Feed supply wires which are already pulled out from the pole through the bracket into the Arm.
3. Make necessary connections inside the Arm and knot wires for strain relief.
4. Slide the metal hanger plates at the back of the Arm to the mounting hooks of the bracket on the pole, to secure the fixture to the pole. (as shown in fig 5)
5. Replace the Arm Cover. Be sure the Gasket on Arm Cover is in place. Tighten Screws and add the Plugs. Secure Pole cap. Tighten Set screw at the bottom of the arm

FIG. 3

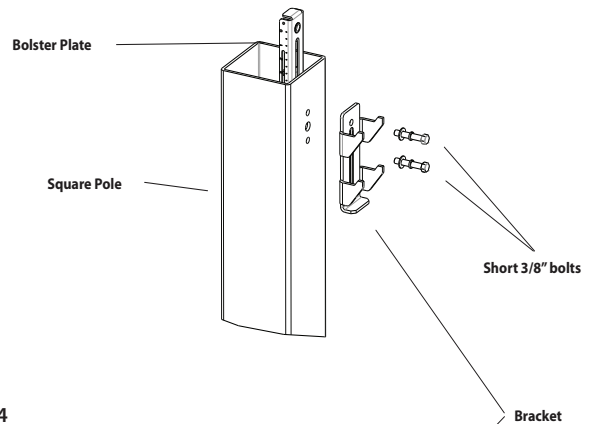


FIG. 4

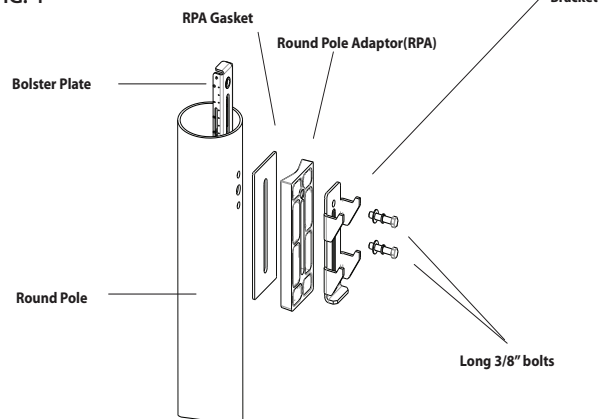
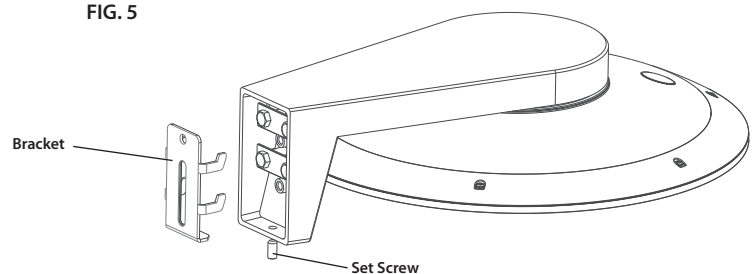


FIG. 5



Note: These instructions do not cover all details or variations in equipment nor do they provide for every possible situation during installation, operation or maintenance.

To reduce the risk of electric shock, disconnect both normal and emergency power supplies and converter connector of the emergency ballast before servicing. Do not attempt to service the emergency ballast. The use of accessory equipment may cause an unsafe condition. Do not use this product for other than intended use. Refer any servicing indicated by these checks to a Qualified Service Personnel.

# IVEPARK™ INSTALLATION INSTRUCTIONS



Thank you for buying RAB lighting fixtures. Our goal is to design the best quality products to get the job done right. We'd like to hear your comments. Call the Marketing Department at 888-RAB-1000 or email: [marketing@rablighting.com](mailto:marketing@rablighting.com)

## POLE DRILLING DETAIL

Dimensions of the holes on RPA and Bracket.  
This template is not to scale. Please use measurements shown in Fig.6.

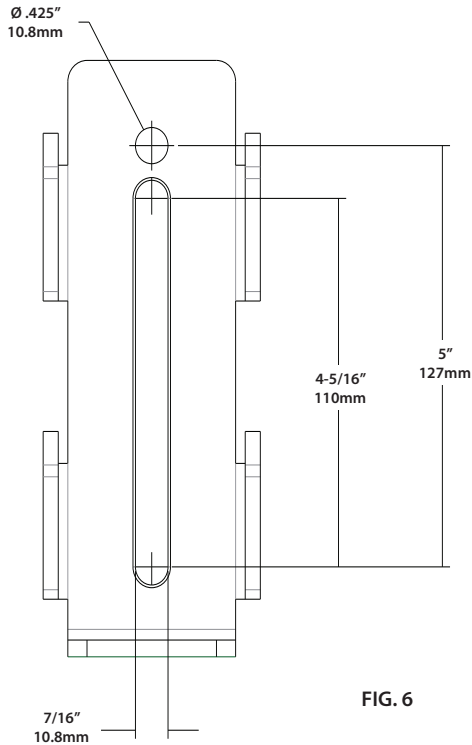


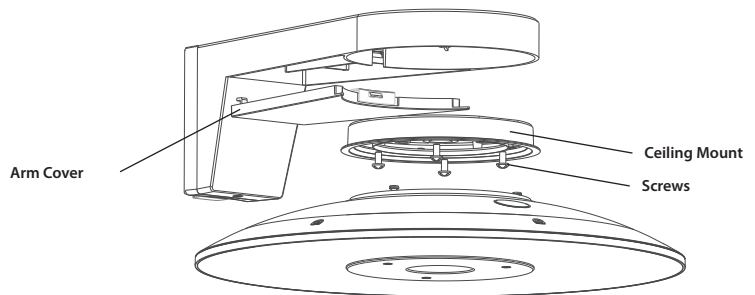
FIG. 6

## WALL MOUNTING

### MOUNTING THE UNIVERSAL ARM ON THE FIXTURE

1. Remove the Arm Cover from the Arm
2. Attach ceiling mount to arm using screws (not provided)
3. Feed wires from Fixture through ceiling mount into Arm
4. Line up Arm and Fixture. Attach fixture to secured ceiling cover with a clockwise twist

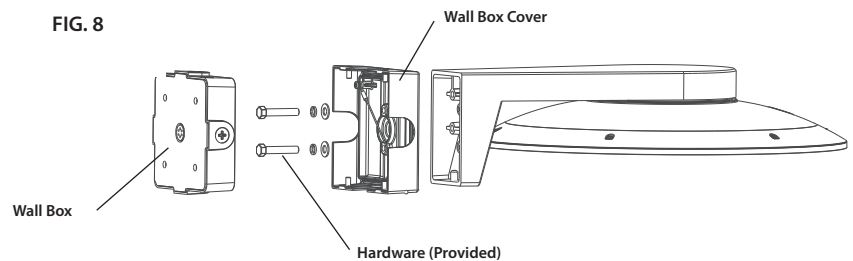
FIG. 7



### MOUNTING THE UNIVERSAL ARM TO THE WALL BOX

1. Remove the Cover from the Wall Box
2. Feed wires from the Universal Arm through the Cover
3. Attach the Universal Arm to the Cover using the provided screws
4. Secure the Wall Box to the mounting location with screws (not provided)
5. Hang the Cover from the Wall Box with the provided tether
6. Wire the fixture to the supply wires
7. Place the Cover on the Wall box and secure with four screws (provided)

FIG. 8



Note: These instructions do not cover all details or variations in equipment nor do they provide for every possible situation during installation, operation or maintenance.

To reduce the risk of electric shock, disconnect both normal and emergency power supplies and converter connector of the emergency ballast before servicing. Do not attempt to service the emergency ballast. The use of accessory equipment may cause an unsafe condition. Do not use this product for other than intended use. Refer any servicing indicated by these checks to a Qualified Service Personnel.



© 2018 RAB LIGHTING Inc.  
Northvale, New Jersey 07647 USA

IVEPARK 1018

## Easy Answers

[rablighting.com](http://rablighting.com)  
Visit our website for product info

Tech Help Line  
Call our experts - 888 722-1000

e-mail  
Answered promptly - [sales@rablighting.com](mailto:sales@rablighting.com)

Free Lighting Layouts  
Answered online or by request

# IVEPARK™ INSTALLATION INSTRUCTIONS

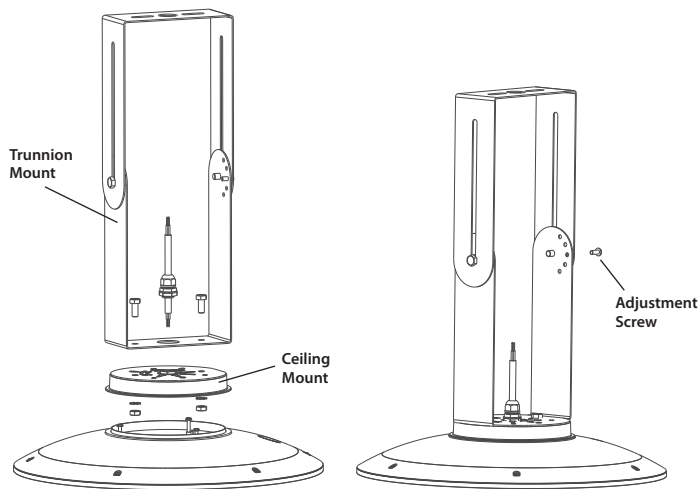


Thank you for buying RAB lighting fixtures. Our goal is to design the best quality products to get the job done right. We'd like to hear your comments. Call the Marketing Department at 888-RAB-1000 or email: [marketing@rablighting.com](mailto:marketing@rablighting.com)

## TRUNNION MOUNTING

1. Remove the Ceiling Mount from the fixture by twisting it counter-clockwise
2. Attach the Trunnion Arm to the **Ceiling Mount** using the hardware provided
3. Attach the Cordgrip to the Ceiling cover and secure the Cord
4. Mount the **Trunnion Arm** to the desired location
5. Set the desired height and angle by adjusting the screws located on the sides of the Trunnion Arm
6. Wire the cord to the supply wires
7. Hang the fixture from the Ceiling Mount with the provided tether
8. Connect the fixture wires to the cord
9. Attach the fixture to the Ceiling Mount by twisting clockwise

FIG. 9

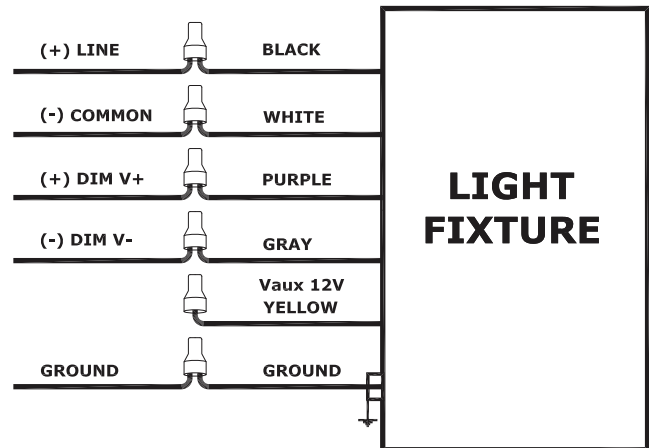


## 0-10V DIMMABLE WIRING

Universal voltage driver permits operation at 120V thru 277V, 50 or 60 Hz. Units ordered with character '3' are 347V 50Hz or 60Hz, '4' are 480V, 50Hz or 60Hz. For 0-10V Dimming, follow the wiring directions in fig. 10.

1. Connect the black fixture lead to the (+) LINE supply lead.
2. Connect the white fixture lead to the (-) COMMON supply lead.
3. Connect the GROUND wire from fixture to supply ground. Do NOT connect the GROUND of the dimming fixture to the output.
4. Connect the purple fixture lead to the (V+) DIM lead.
5. Connect the gray fixture lead to the (V-) DIM lead.
6. Cap the yellow fixture lead, if present. Do NOT connect.

FIG. 10



Note: These instructions do not cover all details or variations in equipment nor do they provide for every possible situation during installation, operation or maintenance.

To reduce the risk of electric shock, disconnect both normal and emergency power supplies and converter connector of the emergency ballast before servicing. Do not attempt to service the emergency ballast. The use of accessory equipment may cause an unsafe condition. Do not use this product for other than intended use. Refer any servicing indicated by these checks to a Qualified Service Personnel.



© 2018 RAB LIGHTING Inc.  
Northvale, New Jersey 07647 USA

IVEPARK 1018

## Easy Answers

[rablighting.com](http://rablighting.com)  
Visit our website for product info

Tech Help Line  
Call our experts - 888 722-1000

e-mail  
Answered promptly - [sales@rablighting.com](mailto:sales@rablighting.com)

Free Lighting Layouts  
Answered online or by request

# IVEPARK™ INSTALLATION INSTRUCTIONS

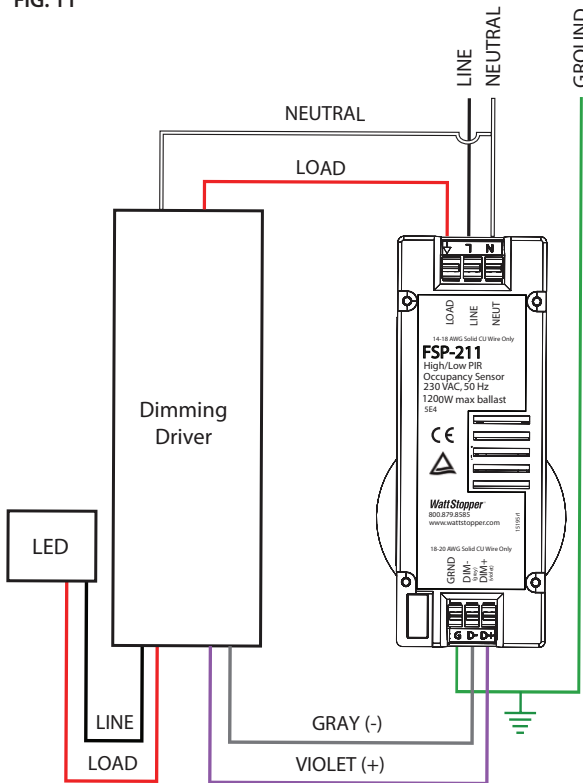


Thank you for buying RAB lighting fixtures. Our goal is to design the best quality products to get the job done right. We'd like to hear your comments. Call the Marketing Department at 888-RAB-1000 or email: [marketing@rablighting.com](mailto:marketing@rablighting.com)

**0-10V DIMMABLE WIRING WITH WATTSTOPPER SENSOR**  
Universal voltage driver and Wattstopper Sensor permits operation at 120V thru 277V, 50 or 60 Hz. For 0-10V Dimming with Wattstopper, follow the wiring directions (Fig.11)

1. Connect the black fixture lead to the LOAD of Wattstopper Sensor.
2. Connect LINE of Wattstopper Sensor to LINE supply lead.
3. Connect the white fixture lead and NEUTRAL of Wattstopper Sensor to the COMMON supply lead.
4. Connect the GROUND wire from fixture and Wattstopper Sensor to supply ground. Do NOT connect the GROUND of the dimming fixture to the output.
5. Connect the purple fixture lead to DIM + of Wattstopper Sensor.
6. Connect the gray fixture lead to the DIM - of Wattstopper Sensor lead.
7. Cap the yellow fixture lead, if present. Do NOT connect

FIG. 11



## FUSE WIRING

1. For single fuse installations 120V, 277V, or 347V connect the fuse between the fixture neutral and supply neutral
2. For double fuse installations 208V, 240V, or 480V connect the fuse between both supply neutrals and the fixture neutral.

## EMERGENCY WIRING

**CAUTION: THIS IS AN EMERGENCY BATTERY BACKUP FIXTURE. Voltage could be present in Battery.**

**NOTE:** Make sure that the necessary branch circuit wiring is available. An unswitched AC source of power is required. The emergency ballast must be fed from the same branch circuit as the AC ballast. Do not use any supply voltage other than 120V-277V.

1. Connect the UNSWITCHED black fixture lead to the HOT supply lead.
2. Connect the two black lead together, if not using a switching method.
3. If switching, connect SWITCHED black lead to a switch.
4. Connect the COMMON fixture lead to the COMMON supply lead.
5. For 0-10V Dimming, connect DIM (+) purple lead and DIM (-) gray lead to 0-10V dimmer connections on the driver.
6. Connect the GROUND wire from fixture to supply ground. Do NOT connect the GROUND of the dimming fixture to the output.
7. All unused leads must be capped and insulated.
8. After installation is complete, supply AC power to the emergency ballast.
9. Power should now be connected to both the AC ballast and the emergency ballast, and the Charging Indicator Light should illuminate indicating the battery is charging.
10. A short-term discharge test may be conducted after the emergency ballast has been charging for one hour. Charge for 24 hours before conducting a long-term discharge test. Refer to OPERATION.

Note: These instructions do not cover all details or variations in equipment nor do they provide for every possible situation during installation, operation or maintenance.

To reduce the risk of electric shock, disconnect both normal and emergency power supplies and converter connector of the emergency ballast before servicing. Do not attempt to service the emergency ballast. The use of accessory equipment may cause an unsafe condition. Do not use this product for other than intended use. Refer any servicing indicated by these checks to a Qualified Service Personnel.

# IVEPARK™ INSTALLATION INSTRUCTIONS

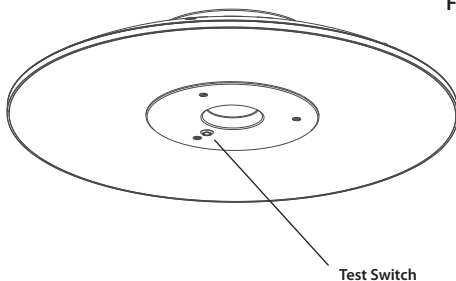


Thank you for buying RAB lighting fixtures. Our goal is to design the best quality products to get the job done right. We'd like to hear your comments. Call the Marketing Department at 888-RAB-1000 or email: [marketing@rablighting.com](mailto:marketing@rablighting.com)

## EMERGENCY OPERATION

1. When AC power is applied, the charging indicator light is illuminated, indicating that the battery is being charged.
2. When power fails, the emergency ballast automatically switches to emergency power (internal battery), operating at reduced illumination. The emergency ballast supplies max 8W of power in emergency mode for a minimum of 90 minutes.
3. When AC power is restored, the emergency ballast automatically returns to charging mode.

FIG. 12



## EMERGENCY MAINTENANCE

Although no routine maintenance is required to keep the emergency ballast functional, it should be checked periodically to ensure that it is working. The following schedule is recommended:

1. Visually inspect the charging indicator light monthly. It should be illuminated.
2. Test the emergency operation of the fixture at 30-day intervals for a minimum of 30 seconds.
3. Conduct a 90-minute discharge test once a year. Fixture would operate at reduced illumination for a minimum of 90 minutes.

## TROUBLESHOOTING

1. Check that the line voltage at the fixture is correct. Refer to wiring directions.
2. Be sure the fixture is grounded properly.

## CLEANING & MAINTENANCE

CAUTION: Be sure fixture temperature is cool enough to touch. Do not clean or maintain while fixture is energized.

1. Clean acrylic lens with non-abrasive cleaning solution.
2. Do not open the fixture to clean the LEDs. Do not touch the LEDs.

## ACCESSORIES

- IVG-SF - Single Fuse for 120V, 277V, or 347V
- IVG-DF - Double Fuse for 208V, 240V, or 480V
- IVGYKZ(W) - Yoke mount (Bronze/ White)
- IVGWFZ(W) - Flat Wall (Bronze/ White)
- IVGPAZ(W) - Universal Pole Adapter (Bronze/ White)
- IVG-SPU - 10kV Surge 120V & 277V
- IVG-SP3 - 10kV Surge 347V
- IVG-SP4 - 10kV Surge 480V

Note: These instructions do not cover all details or variations in equipment nor do they provide for every possible situation during installation, operation or maintenance.

To reduce the risk of electric shock, disconnect both normal and emergency power supplies and converter connector of the emergency ballast before servicing. Do not attempt to service the emergency ballast. The use of accessory equipment may cause an unsafe condition. Do not use this product for other than intended use. Refer any servicing indicated by these checks to a Qualified Service Personnel.



© 2018 RAB LIGHTING Inc.  
Northvale, New Jersey 07647 USA

IVEPARK 1018

## Easy Answers

[rablighting.com](http://rablighting.com)  
Visit our website for product info

Tech Help Line  
Call our experts - 888 722-1000

e-mail  
Answered promptly - [sales@rablighting.com](mailto:sales@rablighting.com)

Free Lighting Layouts  
Answered online or by request