

IVEPARK™ INSTALLATION INSTRUCTIONS



Thank you for buying RAB lighting fixtures. Our goal is to design the best quality products to get the job done right. We'd like to hear your comments. Call the Marketing Department at 888-RAB-1000 or email: marketing@rablighting.com



IVEPARK
(SURFACE MOUNT)



TRUNNION MOUNT



WALL MOUNT



UNIVERSAL POLE MOUNT

IMPORTANT

READ CAREFULLY BEFORE INSTALLING FIXTURE. RETAIN THESE INSTRUCTIONS FOR FUTURE REFERENCE.

Fixtures must be wired in accordance with the National Electrical Code and all applicable local codes. Proper grounding is required for safety. THIS PRODUCT MUST BE INSTALLED IN ACCORDANCE WITH THE APPLICABLE INSTALLATION CODE BY A PERSON FAMILIAR WITH THE CONSTRUCTION AND OPERATION OF THE PRODUCT AND THE HAZARDS INVOLVED.

WARNING: Make certain power is OFF before installing or maintaining fixture. No user-serviceable parts inside.

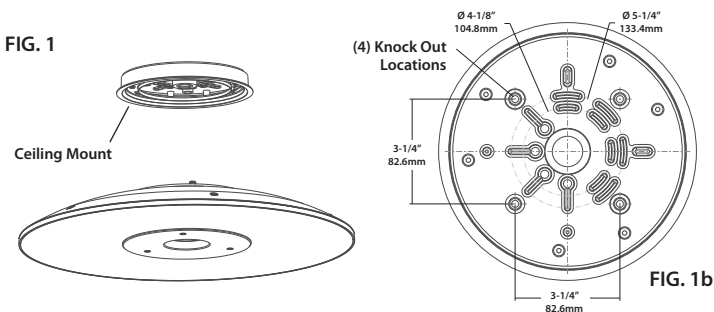
CAUTION: For a proper weatherproof function, all gaskets must be seated properly and all screws inserted and tightened firmly. Apply weatherproof silicone sealant around the edge of the Junction Box. This is especially important with an uneven ceiling surface. Silicone all plugs and unused conduit entries.

CEILING MOUNTING

Fixture is suitable for outdoor applications in wet locations.

1. Remove the **ceiling mount** from the back of the fixture by rotating counter-clockwise.
2. Install the ceiling mount to the ceiling by knocking out (4) **Knock Out Locations** as marked in Fig. 1b. Use the appropriate mounting hardware for the mounting surface (Fig. 1). May alternately be mounted to recessed junction boxes.
3. For hands-free wiring hang the fixture using the included tether. Connect supply wires to **Fixture Wires**. Use appropriate UL approved wire connectors as required by code to complete wiring.
4. Attach fixture to ceiling mount by raising the fixture up to the ceiling mount and rotating clockwise to lock into place
5. If mounting surface is irregular, use caulk to seal any gaps around Junction Box.

FIG. 1

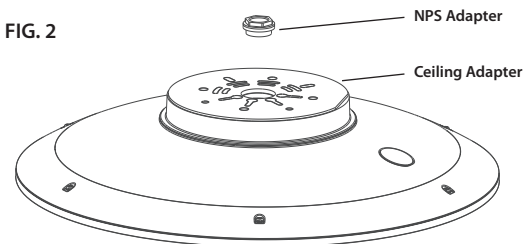


PENDANT MOUNTING

Fixture can be mounted to a 1/2" or 3/4" NPS Pendant. 1/2" to 3/4" NPS Adaptor is included.

1. Feed supply wires through Pendant (supplied by others).
2. Remove the ceiling mount from the back of the fixture by rotating counter-clockwise.
3. Mount the **ceiling mount** to the Pendant. For 3/4" Pendant, remove the **NPS Adaptor**.
4. For hands-free wiring hang the fixture using the included tether. Connect supply wires to **Fixture Wires**. Use appropriate UL approved wire connectors as required by code to complete wiring.
5. Attach fixture to ceiling mount by raising the fixture up to the ceiling mount and rotating clockwise to lock into place.

FIG. 2



Note: These instructions do not cover all details or variations in equipment nor do they provide for every possible situation during installation, operation or maintenance.

To reduce the risk of electric shock, disconnect both normal and emergency power supplies and converter connector of the emergency ballast before servicing. Do not attempt to service the emergency ballast. The use of accessory equipment may cause an unsafe condition. Do not use this product for other than intended use. Refer any servicing indicated by these checks to a Qualified Service Personnel.



© 2018 RAB LIGHTING Inc.
Northvale, New Jersey 07647 USA

IVEPARK 1018

Easy Answers

rablighting.com
Visit our website for product info

Tech Help Line
Call our experts - 888 722-1000

e-mail
Answered promptly - sales@rablighting.com

Free Lighting Layouts
Answered online or by request

IVEPARK™ INSTALLATION INSTRUCTIONS



Thank you for buying RAB lighting fixtures. Our goal is to design the best quality products to get the job done right. We'd like to hear your comments. Call the Marketing Department at 888-RAB-1000 or email: marketing@rablighting.com

POLE MOUNTING

MOUNTING THE UNIVERSAL ARM ON THE FIXTURE

1. Remove the Arm Cover from the Arm.
2. Attach ceiling mount to arm using screws (not provided)
3. Feed wires from Fixture through ceiling mount into Arm.
4. Line up Arm and Fixture. Attach fixture to secured ceiling cover with a clockwise twist

SQUARE POLE BRACKET MOUNT

1. Remove Round pole adaptor and RPA gasket.
2. Place the Bolster plate inside the pole.
3. Place the bracket to match the holes on the pole (as shown in fig 3)
4. Feed supply wires from the pole through the Bracket to be connected to the Arm.
5. Place flat washers, lock washers and nuts on the Short 3/8-16 bolts tighten to the pole

ROUND POLE BRACKET MOUNT

1. Place Round Pole Adaptor (RPA) and RPA Gasket between the fixture and drilled Pole as shown in Fig.4.
2. Line up the holes of the Gaskets and Round Pole Adaptor with top hole in the pole drilling pattern.
3. Feed supply wires from the pole through the Bracket to be connected to the Arm.
4. Place long 3/8" Bolts provided through the top hole of the RPA and Gaskets to the Round Pole thread into Bolster Plate

MOUNTING FIXTURE TO THE POLE

1. Remove the Arm Cover from the Arm.
2. Feed supply wires which are already pulled out from the pole through the bracket into the Arm.
3. Make necessary connections inside the Arm and knot wires for strain relief.
4. Slide the metal hanger plates at the back of the Arm to the mounting hooks of the bracket on the pole, to secure the fixture to the pole. (as shown in fig 5)
5. Replace the Arm Cover. Be sure the Gasket on Arm Cover is in place. Tighten Screws and add the Plugs. Secure Pole cap. Tighten Set screw at the bottom of the arm

FIG. 3

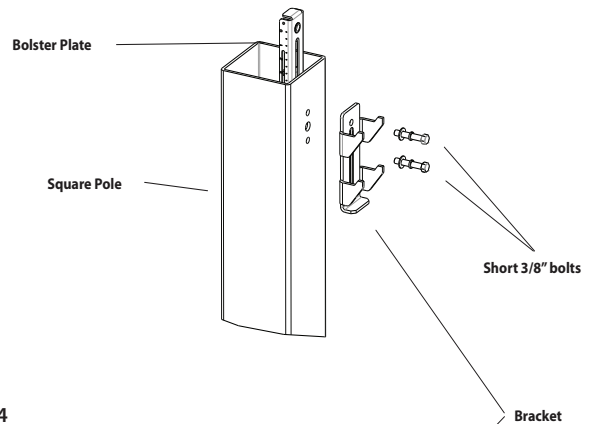


FIG. 4

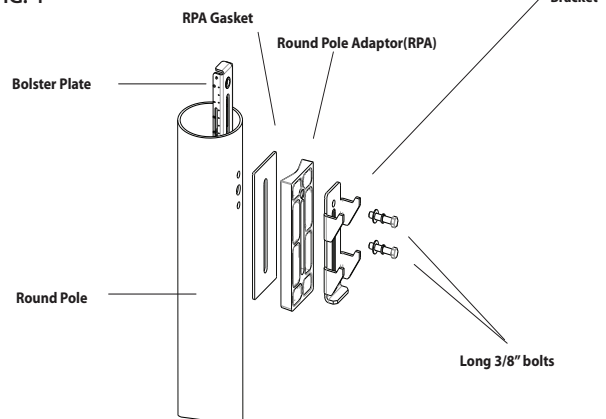
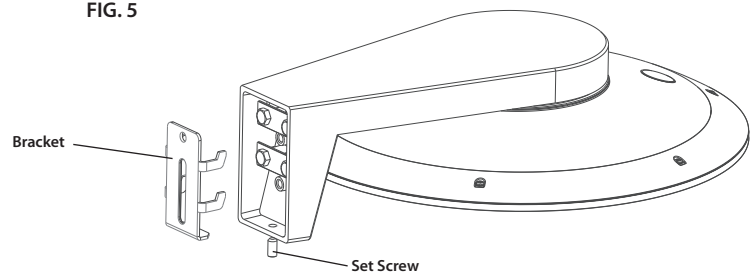


FIG. 5



Note: These instructions do not cover all details or variations in equipment nor do they provide for every possible situation during installation, operation or maintenance.

To reduce the risk of electric shock, disconnect both normal and emergency power supplies and converter connector of the emergency ballast before servicing. Do not attempt to service the emergency ballast. The use of accessory equipment may cause an unsafe condition. Do not use this product for other than intended use. Refer any servicing indicated by these checks to a Qualified Service Personnel.

IVEPARK™ INSTALLATION INSTRUCTIONS



Thank you for buying RAB lighting fixtures. Our goal is to design the best quality products to get the job done right. We'd like to hear your comments. Call the Marketing Department at 888-RAB-1000 or email: marketing@rablighting.com

POLE DRILLING DETAIL

Dimensions of the holes on RPA and Bracket.
This template is not to scale. Please use measurements shown in Fig.6.

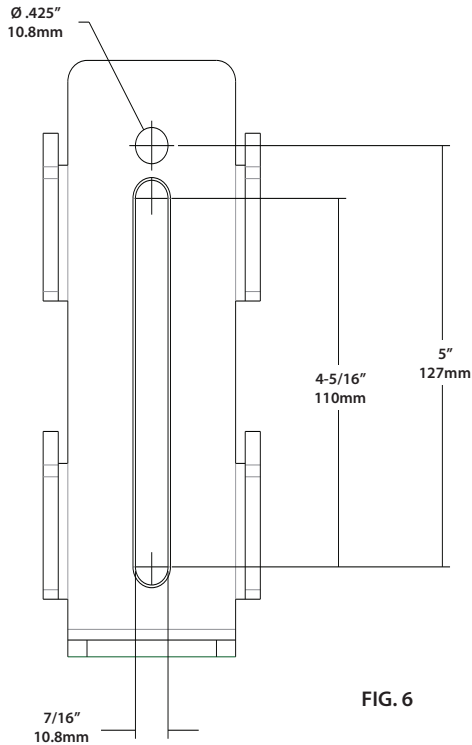


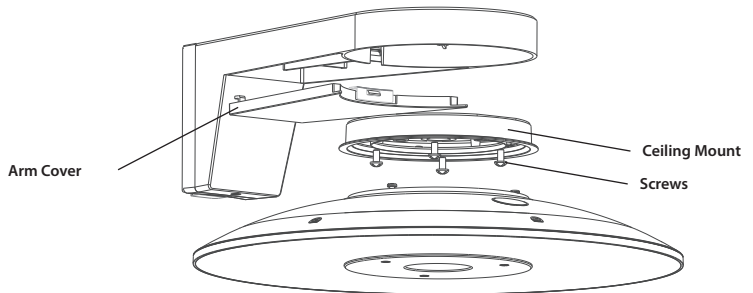
FIG. 6

WALL MOUNTING

MOUNTING THE UNIVERSAL ARM ON THE FIXTURE

1. Remove the Arm Cover from the Arm
2. Attach ceiling mount to arm using screws (not provided)
3. Feed wires from Fixture through ceiling mount into Arm
4. Line up Arm and Fixture. Attach fixture to secured ceiling cover with a clockwise twist

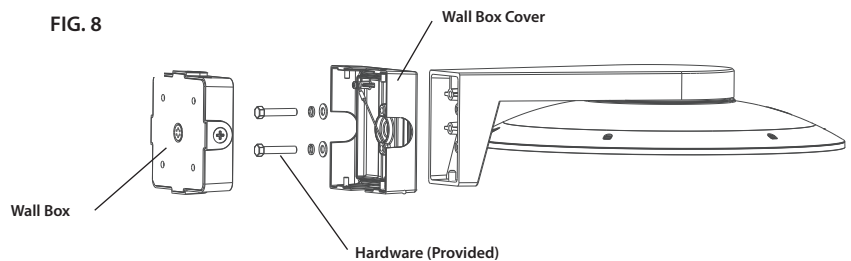
FIG. 7



MOUNTING THE UNIVERSAL ARM TO THE WALL BOX

1. Remove the Cover from the Wall Box
2. Feed wires from the Universal Arm through the Cover
3. Attach the Universal Arm to the Cover using the provided screws
4. Secure the Wall Box to the mounting location with screws (not provided)
5. Hang the Cover from the Wall Box with the provided tether
6. Wire the fixture to the supply wires
7. Place the Cover on the Wall box and secure with four screws (provided)

FIG. 8



Note: These instructions do not cover all details or variations in equipment nor do they provide for every possible situation during installation, operation or maintenance.

To reduce the risk of electric shock, disconnect both normal and emergency power supplies and converter connector of the emergency ballast before servicing. Do not attempt to service the emergency ballast. The use of accessory equipment may cause an unsafe condition. Do not use this product for other than intended use. Refer any servicing indicated by these checks to a Qualified Service Personnel.



© 2018 RAB LIGHTING Inc.
Northvale, New Jersey 07647 USA

IVEPARK 1018

Easy Answers

rablighting.com
Visit our website for product info

Tech Help Line
Call our experts - 888 722-1000

e-mail
Answered promptly - sales@rablighting.com

Free Lighting Layouts
Answered online or by request

IVEPARK™ INSTALLATION INSTRUCTIONS

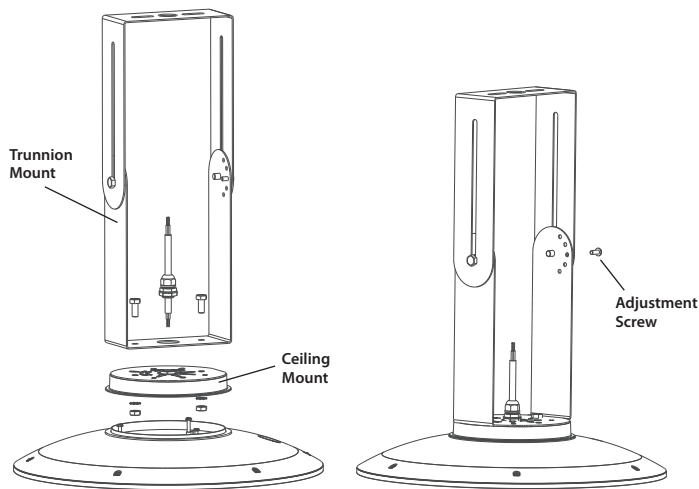


Thank you for buying RAB lighting fixtures. Our goal is to design the best quality products to get the job done right. We'd like to hear your comments. Call the Marketing Department at 888-RAB-1000 or email: marketing@rablighting.com

TRUNNION MOUNTING

1. Remove the Ceiling Mount from the fixture by twisting it counter-clockwise
2. Attach the Trunnion Arm to the **Ceiling Mount** using the hardware provided
3. Attach the Cordgrip to the Ceiling cover and secure the Cord
4. Mount the **Trunnion Arm** to the desired location
5. Set the desired height and angle by adjusting the screws located on the sides of the Trunnion Arm
6. Wire the cord to the supply wires
7. Hang the fixture from the Ceiling Mount with the provided tether
8. Connect the fixture wires to the cord
9. Attach the fixture to the Ceiling Mount by twisting clockwise

FIG. 9

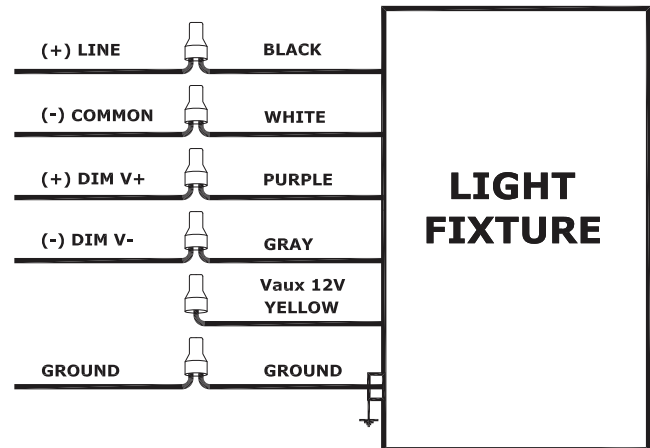


0-10V DIMMABLE WIRING

Universal voltage driver permits operation at 120V thru 277V, 50 or 60 Hz. Units ordered with character '3' are 347V 50Hz or 60Hz, '4' are 480V, 50Hz or 60Hz. For 0-10V Dimming, follow the wiring directions in fig. 10.

1. Connect the black fixture lead to the (+) LINE supply lead.
2. Connect the white fixture lead to the (-) COMMON supply lead.
3. Connect the GROUND wire from fixture to supply ground. Do NOT connect the GROUND of the dimming fixture to the output.
4. Connect the purple fixture lead to the (V+) DIM lead.
5. Connect the gray fixture lead to the (V-) DIM lead.
6. Cap the yellow fixture lead, if present. Do NOT connect.

FIG. 10



Note: These instructions do not cover all details or variations in equipment nor do they provide for every possible situation during installation, operation or maintenance.

To reduce the risk of electric shock, disconnect both normal and emergency power supplies and converter connector of the emergency ballast before servicing. Do not attempt to service the emergency ballast. The use of accessory equipment may cause an unsafe condition. Do not use this product for other than intended use. Refer any servicing indicated by these checks to a Qualified Service Personnel.



© 2018 RAB LIGHTING Inc.
Northvale, New Jersey 07647 USA

IVEPARK 1018

Easy Answers

rablighting.com
Visit our website for product info

Tech Help Line
Call our experts - 888 722-1000

e-mail
Answered promptly - sales@rablighting.com

Free Lighting Layouts
Answered online or by request

IVEPARK™ INSTALLATION INSTRUCTIONS

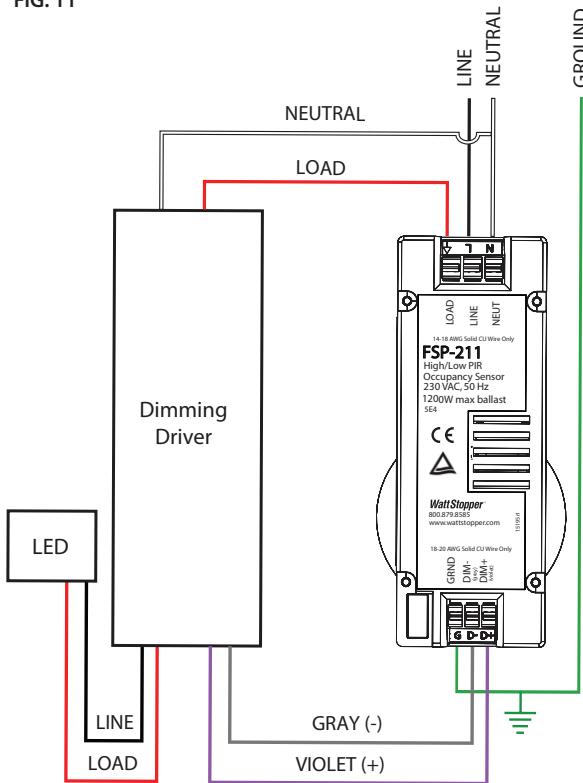


Thank you for buying RAB lighting fixtures. Our goal is to design the best quality products to get the job done right. We'd like to hear your comments. Call the Marketing Department at 888-RAB-1000 or email: marketing@rablighting.com

0-10V DIMMABLE WIRING WITH WATTSTOPPER SENSOR
Universal voltage driver and Wattstopper Sensor permits operation at 120V thru 277V, 50 or 60 Hz. For 0-10V Dimming with Wattstopper, follow the wiring directions (Fig.11)

1. Connect the black fixture lead to the LOAD of Wattstopper Sensor.
2. Connect LINE of Wattstopper Sensor to LINE supply lead.
3. Connect the white fixture lead and NEUTRAL of Wattstopper Sensor to the COMMON supply lead.
4. Connect the GROUND wire from fixture and Wattstopper Sensor to supply ground. Do NOT connect the GROUND of the dimming fixture to the output.
5. Connect the purple fixture lead to DIM + of Wattstopper Sensor.
6. Connect the gray fixture lead to the DIM - of Wattstopper Sensor lead.
7. Cap the yellow fixture lead, if present. Do NOT connect

FIG. 11



FUSE WIRING

1. For single fuse installations 120V, 277V, or 347V connect the fuse between the fixture neutral and supply neutral
2. For double fuse installations 208V, 240V, or 480V connect the fuse between both supply neutrals and the fixture neutral.

EMERGENCY WIRING

CAUTION: THIS IS AN EMERGENCY BATTERY BACKUP FIXTURE. Voltage could be present in Battery.

NOTE: Make sure that the necessary branch circuit wiring is available. An unswitched AC source of power is required. The emergency ballast must be fed from the same branch circuit as the AC ballast. Do not use any supply voltage other than 120V-277V.

1. Connect the UNSWITCHED black fixture lead to the HOT supply lead.
2. Connect the two black lead together, if not using a switching method.
3. If switching, connect SWITCHED black lead to a switch.
4. Connect the COMMON fixture lead to the COMMON supply lead.
5. For 0-10V Dimming, connect DIM (+) purple lead and DIM (-) gray lead to 0-10V dimmer connections on the driver.
6. Connect the GROUND wire from fixture to supply ground. Do NOT connect the GROUND of the dimming fixture to the output.
7. All unused leads must be capped and insulated.
8. After installation is complete, supply AC power to the emergency ballast.
9. Power should now be connected to both the AC ballast and the emergency ballast, and the Charging Indicator Light should illuminate indicating the battery is charging.
10. A short-term discharge test may be conducted after the emergency ballast has been charging for one hour. Charge for 24 hours before conducting a long-term discharge test. Refer to OPERATION.

Note: These instructions do not cover all details or variations in equipment nor do they provide for every possible situation during installation, operation or maintenance.

To reduce the risk of electric shock, disconnect both normal and emergency power supplies and converter connector of the emergency ballast before servicing. Do not attempt to service the emergency ballast. The use of accessory equipment may cause an unsafe condition. Do not use this product for other than intended use. Refer any servicing indicated by these checks to a Qualified Service Personnel.

IVEPARK™ INSTALLATION INSTRUCTIONS

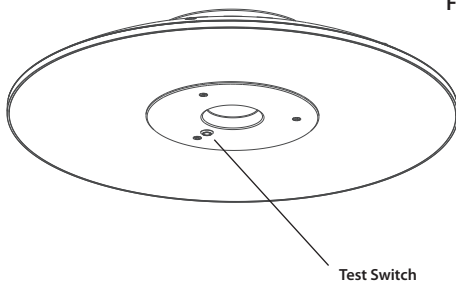


Thank you for buying RAB lighting fixtures. Our goal is to design the best quality products to get the job done right. We'd like to hear your comments. Call the Marketing Department at 888-RAB-1000 or email: marketing@rablighting.com

EMERGENCY OPERATION

1. When AC power is applied, the charging indicator light is illuminated, indicating that the battery is being charged.
2. When power fails, the emergency ballast automatically switches to emergency power (internal battery), operating at reduced illumination. The emergency ballast supplies max 8W of power in emergency mode for a minimum of 90 minutes.
3. When AC power is restored, the emergency ballast automatically returns to charging mode.

FIG. 12



EMERGENCY MAINTENANCE

Although no routine maintenance is required to keep the emergency ballast functional, it should be checked periodically to ensure that it is working. The following schedule is recommended:

1. Visually inspect the charging indicator light monthly. It should be illuminated.
2. Test the emergency operation of the fixture at 30-day intervals for a minimum of 30 seconds.
3. Conduct a 90-minute discharge test once a year. Fixture would operate at reduced illumination for a minimum of 90 minutes.

TROUBLESHOOTING

1. Check that the line voltage at the fixture is correct. Refer to wiring directions.
2. Be sure the fixture is grounded properly.

CLEANING & MAINTENANCE

CAUTION: Be sure fixture temperature is cool enough to touch. Do not clean or maintain while fixture is energized.

1. Clean acrylic lens with non-abrasive cleaning solution.
2. Do not open the fixture to clean the LEDs. Do not touch the LEDs.

ACCESSORIES

- IVG-SF - Single Fuse for 120V, 277V, or 347V
- IVG-DF - Double Fuse for 208V, 240V, or 480V
- IVGYKZ(W) - Yoke mount (Bronze/ White)
- IVGWFZ(W) - Flat Wall (Bronze/ White)
- IVGPAZ(W) - Universal Pole Adapter (Bronze/ White)
- IVG-SPU - 10kV Surge 120V & 277V
- IVG-SP3 - 10kV Surge 347V
- IVG-SP4 - 10kV Surge 480V

Note: These instructions do not cover all details or variations in equipment nor do they provide for every possible situation during installation, operation or maintenance.

To reduce the risk of electric shock, disconnect both normal and emergency power supplies and converter connector of the emergency ballast before servicing. Do not attempt to service the emergency ballast. The use of accessory equipment may cause an unsafe condition. Do not use this product for other than intended use. Refer any servicing indicated by these checks to a Qualified Service Personnel.



© 2018 RAB LIGHTING Inc.
Northvale, New Jersey 07647 USA

IVEPARK 1018

Easy Answers

rablighting.com
Visit our website for product info

Tech Help Line
Call our experts - 888 722-1000

e-mail
Answered promptly - sales@rablighting.com

Free Lighting Layouts
Answered online or by request

Welcome



Lightcloud™
Controller

LCCONTROL20/D10

WE'RE HERE TO HELP:

1 (844) LIGHTCLOUD

1 (844) 544-4825

support@lightcloud.com

Hello

Lightcloud is a wireless
lighting control service.

The Lightcloud Controller
is a remotely controlled
switch and 0-10V
dimming device.

Product Features

Wireless Control & Configuration

Switching up to 20A

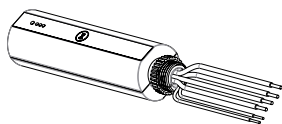
0-10V Dimming

Power Monitoring

Patent Pending

Contents

Lightcloud Controller



NPT Nut



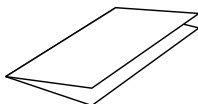
O-ring



Wire Nuts



Instruction Manual



Specifications

PART NUMBER

LCCONTROL20/D10

INPUT

120-277VAC, 50/60Hz
<2W (Standby - 4W (Active))

MAXIMUM SWITCHED LOAD RATINGS

For Control of Magnetic, Electronic Ballast or LED
277VAC: 20A Magnetic/Resistive
240VAC: 5A Tungsten/Electronic, 20A FLA/
60 LRA, 2HP
120VAC: 15A Tungsten, 1HP

OPERATING TEMPERATURE

-40°C to +40°C

OVERALL DIMENSIONS

1.55" diameter, 5.75" length
1/2" NPT Mount, Male
16AWG pigtails

WIRELESS RANGE

Line-of-Sight: 1000 feet
Obstructions: 100 feet

Warranty is active as long as service plan is active
Class 2
IP66 Rated
Indoor and Outdoor Rated
Wet and Damp Location
Plenum Rated

What You Need



Lightcloud Gateway

A Lightcloud installation requires at least one Lightcloud Gateway to manage your devices.

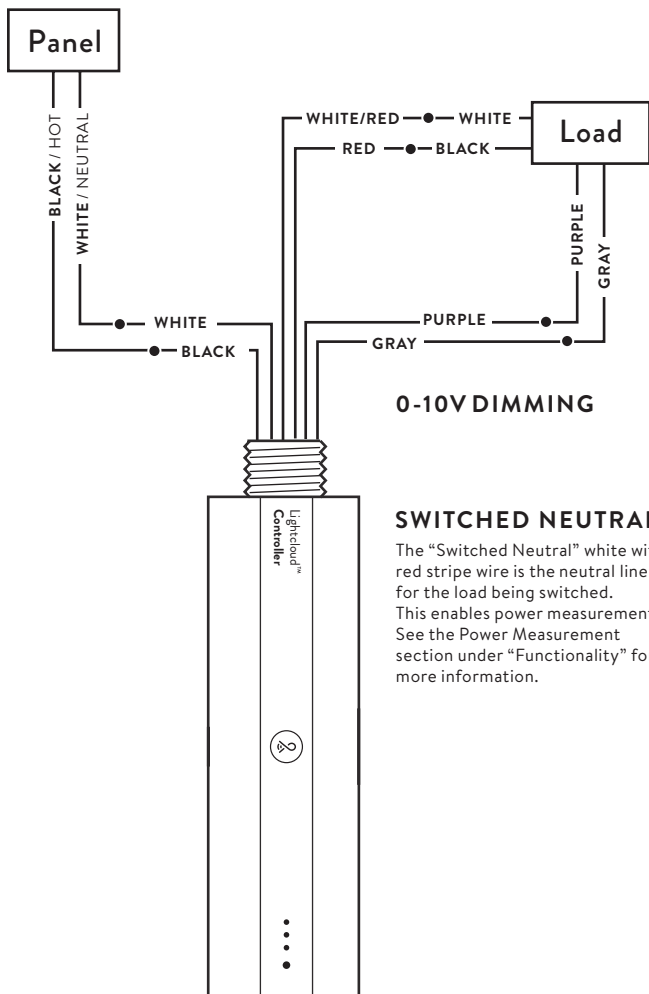
WE'RE HERE TO HELP:

1 (844) LIGHTCLOUD

or 1 (844) 544-4825

support@lightcloud.com

Wiring



0-10V DIMMING

SWITCHED NEUTRAL

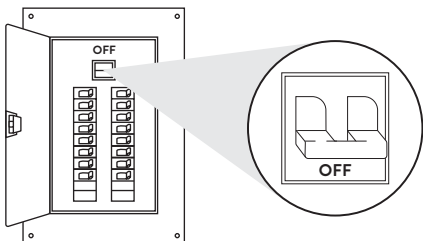
The "Switched Neutral" white with red stripe wire is the neutral line for the load being switched. This enables power measurement. See the Power Measurement section under "Functionality" for more information.

Setup & Installation

1 Turn off power



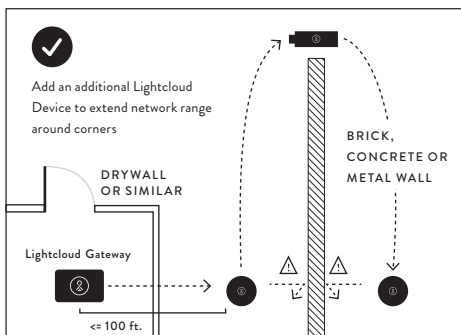
WARNING



1a Find a Suitable Location

Use these guidelines when installing devices:

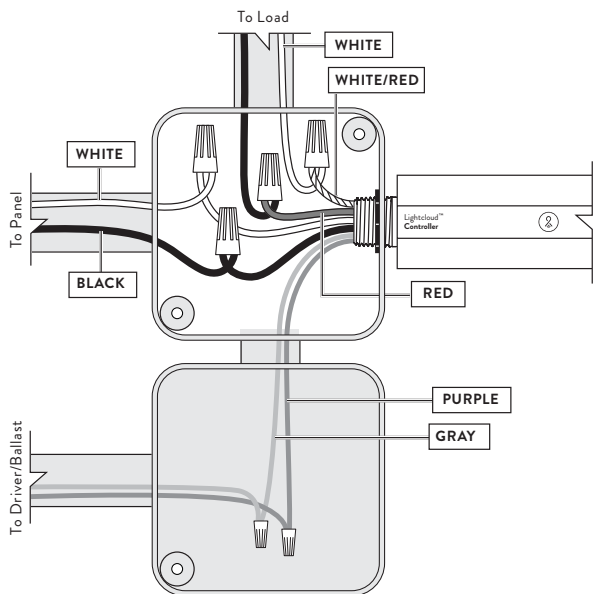
- If there is a clear line of sight between two Lightcloud devices, they can be placed up to 1000 feet apart.
- If the two devices are separated by ordinary drywall construction, try to keep them within 100 ft. of each other.
- Brick, concrete and steel construction may require additional Lightcloud devices to go around the obstruction.



Setup & Installation (cont'd)

2 Install your Lightcloud Controller

2a Install at a Junction Box (Indoor/Outdoor)

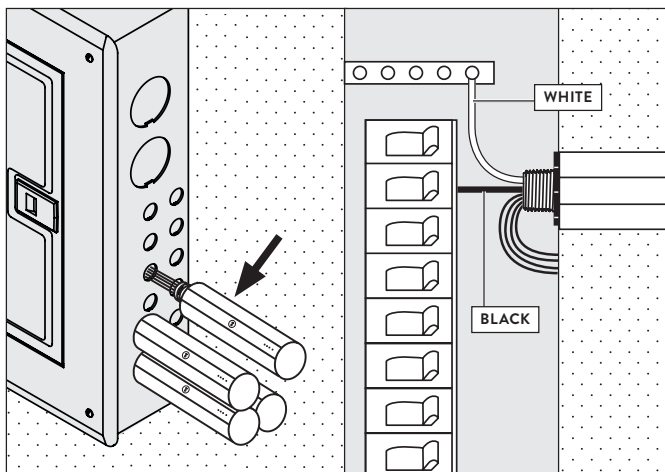


0-10V DIMMING

0-10V is a common method of low-voltage control of dimmable drivers and ballasts. **Purple:** 0-10V positive | **Gray:** 0-10V common

NOTE: The National Electrical Code requires that low-voltage wiring used in the same enclosure as high-voltage wiring have an equal or better insulation rating. You may need to complete your low-voltage wiring in another enclosure or use a partition.

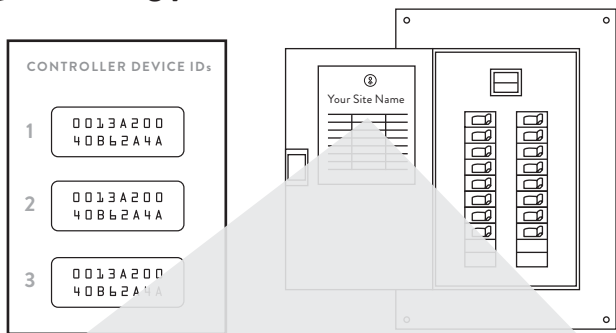
2b At Lighting Panel or Trough



Space and code allowing, you may install Lightcloud devices directly in your breaker box or lighting panel. Alternatively, break out lighting circuits and install Lightcloud devices in a separate trough.

Setup & Installation (cont'd)

③ Labeling your device



	DEVICE ID	ZONE NAME	PANEL/ CIRCUIT #	DIMMING
1	0013A200 40B62A4A	Front Desk	2	✓

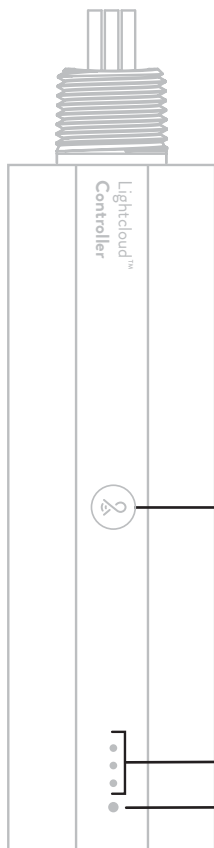
For setup and maintenance, we provide two Lightcloud Device Tables with the Gateway: one that you can attach to your panel and one to hand off to a building manager. Attach the Device Identification stickers included with each device to a row, then write in additional information, such as Zone name, Panel/Circuit Number, and whether or not a zone uses dimming.

④ Power up

To add new devices to your Lightcloud network, call RAB at 1 (844) LIGHTCLOUD, or email us at support@lightcloud.com.

5 Confirm Device Connectivity

Confirm Status Indicator is Solid Green (see details below)



DEVICE IDENTIFICATION BUTTON

- Illuminated when device is powered
- Press once to highlight this device in the Lightcloud Application
- Press twice to toggle circuit on and off
- Press twice and hold to set dim level
- Press and hold for 10 seconds to remove this device from a Lightcloud network
- Blinks when device is indicated from the Lightcloud Application

SIGNAL INDICATOR

Illuminates when the device receives a message and indicates the strength of the signal.

3 - Best signal

2 - Acceptable signal

1 - Unacceptable signal

Consult the "Finding a Location" section for more information

STATUS INDICATOR

Solid GREEN when connected to your Lightcloud network. Blinking RED when not connected. The device will automatically continue trying to connect to a network in Setup Mode.

6 Commission your devices

Log on to www.lightcloud.com or call 1 (844) LIGHTCLOUD

Functionality

Configuration

All configuration of Lightcloud products may be performed using the Lightcloud web or mobile application, or by calling RAB.

WE'RE HERE TO HELP:

1 (844) LIGHTCLOUD

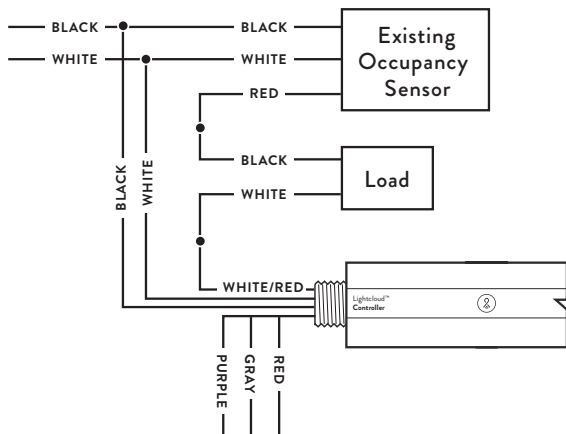
or 1 (844) 544-4825

support@lightcloud.com

Operating Modes

CONTROLLER Provides switching and dimming for a single zone

TRIGGER Detect when an attached circuit is open or closed. For example, you could attach the Controller in Trigger mode to an existing occupancy sensor to allow your Lightcloud system to react to the sensor.



REPEATER: Disables zone control and power measurement, and extends the range of your network.

POWER MEASUREMENT: The Lightcloud Controller is capable of measuring the power usage of the attached circuit. In order to utilize this function, the neutral wire of the load must be connected to the white-red sense wire. If the Switched Neutral line cannot be used, it should be tied to the regular neutral wires (i.e. all neutral wires joined).

POWER LOSS DETECTION: If mains power to the Controller is lost, the device will detect this and alert the Lightcloud application.

EMERGENCY DEFAULT: If communication is lost, the Controller may optionally fall back to a specific state, such as turning the attached circuit on.



**Any wires not in use must be capped off
or otherwise insulated.**

FCC Information:

This device complies with Part 15 of the FCC Rules. Operation is subject to the following two conditions:

- 1. This device may not cause harmful interference, and*
- 2. This device must accept any interference received, including interference that may cause undesired operation.*

Note: This device has been tested and found to comply with the limits for Class B digital devices pursuant to Part 15 Subpart B, of the FCC rules. These limits are designed to provide reasonable protection against harmful interference in a residential environment. This equipment generates, uses, and can radiate radio frequency energy, and if not installed and used in accordance with the instruction manual, may cause harmful interference to radio communications. However, there is no guarantee that interference will not occur in a particular installation. If this equipment does cause harmful interference to radio or television reception, which can be determined by turning the equipment off and on, the user is encouraged to try and correct the interference by one or more of the following measures:

- Reorient or relocate the receiving antenna.*
- Increase the separation between the equipment and receiver.*
- Connect the equipment into an outlet on a circuit different from that to which the receiver is connected.*
- Consult the dealer or an experienced radio/TV technician for help.*

To comply with the FCC's RF exposure limits for general population / uncontrolled exposure, this transmitter must be installed to provide a separation distance of at least 20 cm from all persons and must not be co-located or operating in conjunction with any other antenna or transmitter.

CAUTION: Changes or modifications to this equipment not expressly approved by RAB Lighting may void the user's authority to operate this equipment.



Lightcloud is a commercial wireless lighting control system & service. It's powerful and flexible, yet easy to use and install. Learn more at lightcloud.com

1 (844) LIGHTCLOUD

1 (844) 544-4825

support@lightcloud.com

RAB[®]

Custom manufactured in China

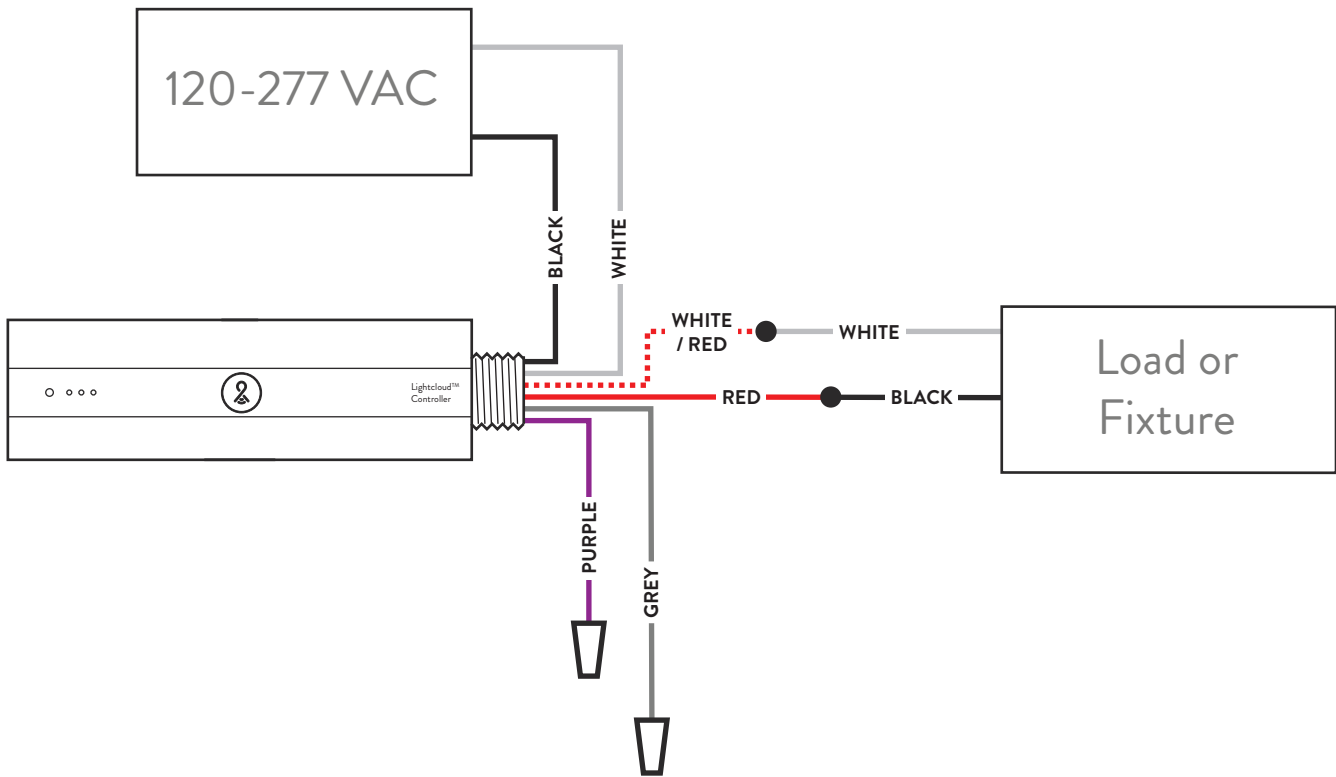
© RAB Lighting, Inc

170 Ludlow Avenue Northvale, NJ 07647



Lightcloud Controller Switch

Lightcloud Controller used to switch a load without dimming.



Input: 120-277VAC, 50/60Hz

Switching Capacity (Magnetic, Electronic Ballast or LED)

15.5A (120-277VAC)

277VAC: 20A Magnetic/Resistive

240VAC: 5A Tungsten/Electronic, 20A FLA/60 LRA, 2HP

120VAC: 15A Tungsten, 1HP

Switched Neutral: The “Switched Neutral” white with red stripe wire is the neutral line for the load being switched. This enables power measurement.



Any wires not in use must be capped off or otherwise insulated.
This product should only be installed by a qualified electrician and in compliance with local and national electrical codes.

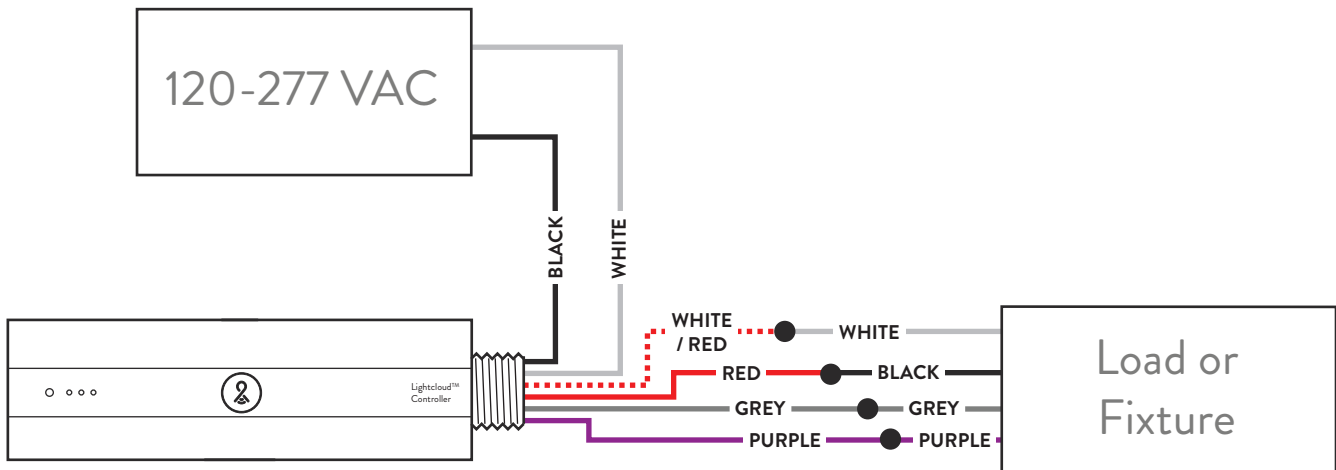
RAB

Controls



Lightcloud Controller 0-10V Dimming

Lightcloud Controller used to switch a load with 0-10V dimming.



Input: 120-277VAC, 50/60Hz

Purple: 0-10V positive

Grey: 0-10V common

Switching Capacity (Magnetic, Electronic Ballast or LED)

15.5A (120-277VAC)

277VAC: 20A Magnetic/Resistive

240VAC: 5A Tungsten/Electronic, 20A FLA/60 LRA, 2HP

120VAC: 15A Tungsten, 1HP

Switched Neutral: The “Switched Neutral” white with red stripe wire is the neutral line for the load being switched. This enables power measurement.

Note: The National Electrical Code requires that low-voltage wiring use in the same enclosure as high-voltage wiring have an equal or better insulation rating. You may need to complete your low-voltage wiring in another enclosure or use a partition.



Any wires not in use must be capped off or otherwise insulated.
This product should only be installed by a qualified electrician and in compliance with local and national electrical codes.

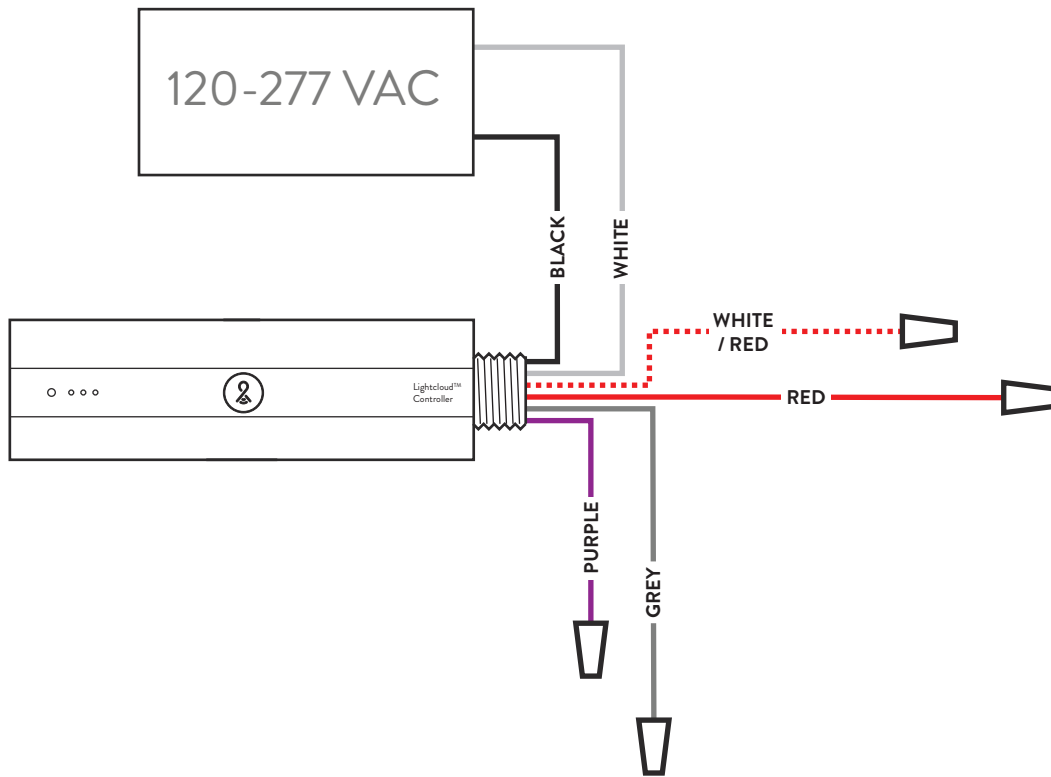
RAB

Controls



Lightcloud Controller Repeater

Lightcloud Controller used to repeat Lightcloud mesh network signal without controlling a load.



Input: 120-277VAC, 50/60Hz



Any wires not in use must be capped off or otherwise insulated.
This product should only be installed by a qualified electrician and in compliance with local and national electrical codes.

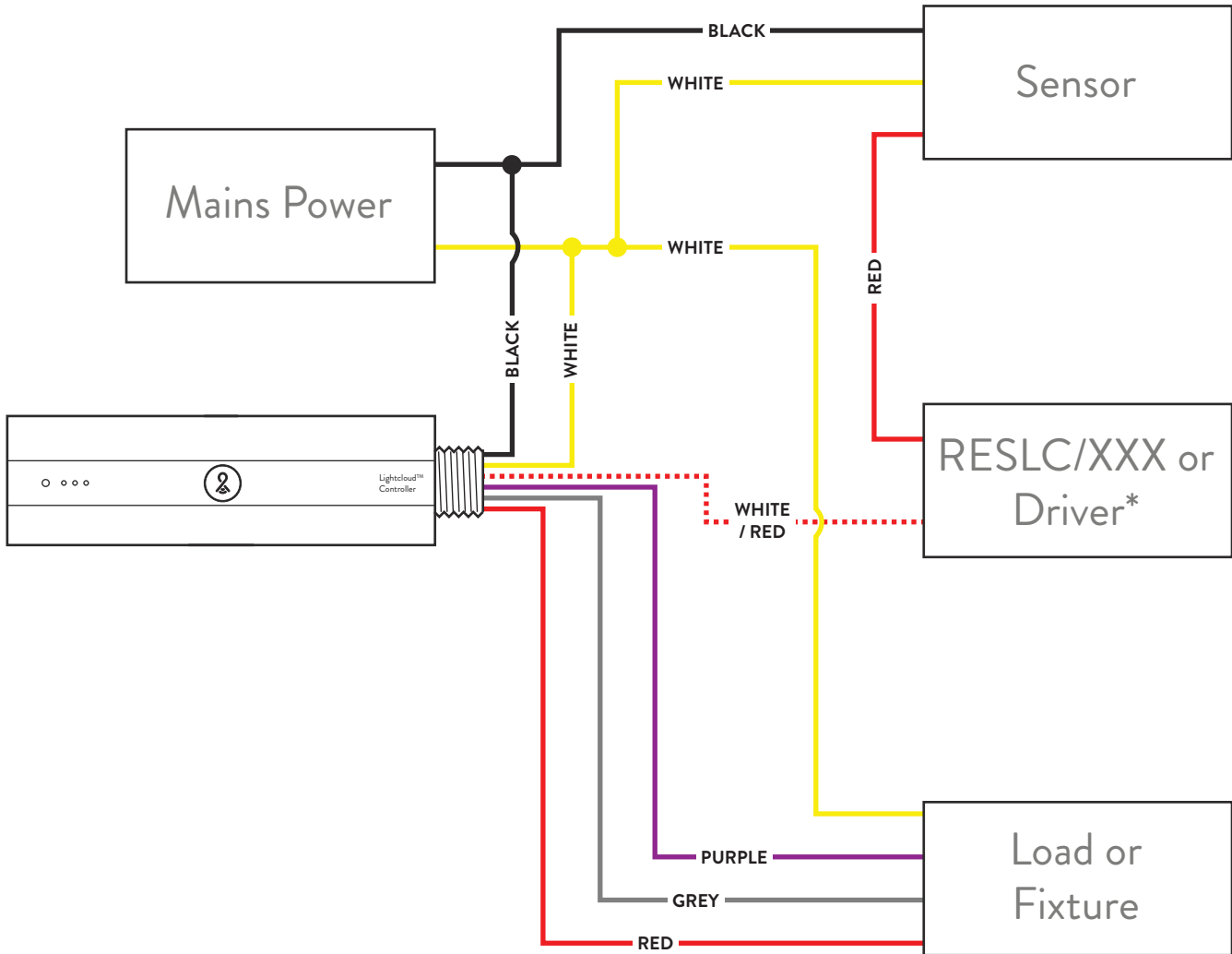
RAB

Controls



Lightcloud Advanced Trigger Wiring

Lightcloud Controllers can receive inputs or triggers from 3rd party switching devices such as outdoor motion or light sensors.



Sample Occupancy Sensor
RAB Stealth STL200



Notes: A resistor or second fixture driver must be used between the Controller and Sensor. RESLC/120 for 120VAC applications or RESLC/277 for 277VAC application. The driver must be greater than 10mA.



Any wires not in use must be capped off or otherwise insulated. This product should only be installed by a qualified electrician and in compliance with local and national electrical codes.

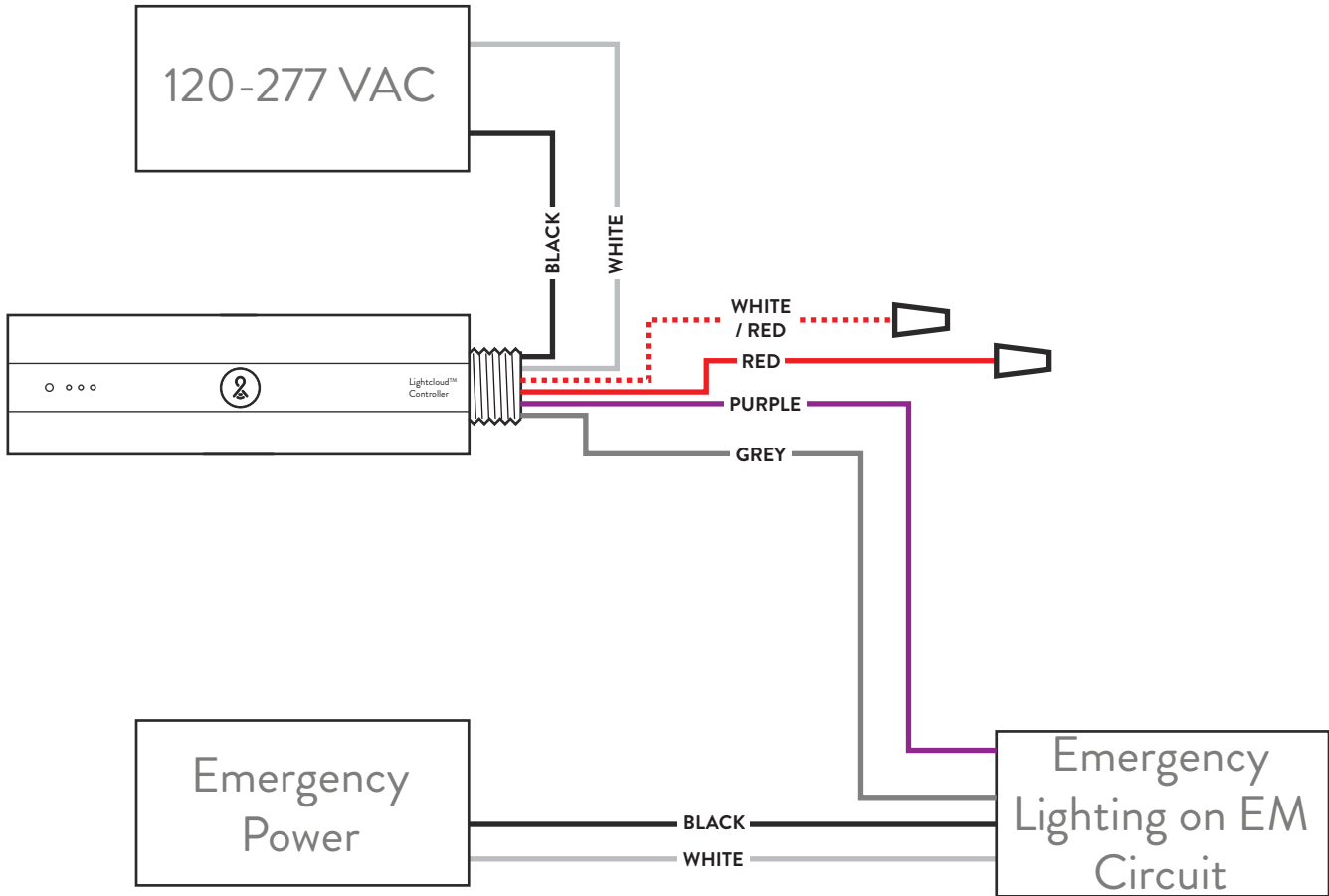
RAB

Controls



Lightcloud Emergency Lighting

Lightcloud Controllers can be used to control Emergency Lighting fed with “Always ON” Emergency Power. Upon loss of power, Emergency lighting will fail to “Full ON” light output.



Notes: In spaces where there is only one luminaire, and it is connected to emergency power, the Controller will need to be connected to a Normal Power Circuit for proper operation. Emergency fixtures with on-board battery backup don't require special wiring.



Any wires not in use must be capped off or otherwise insulated. This product should only be installed by a qualified electrician and in compliance with local and national electrical codes.

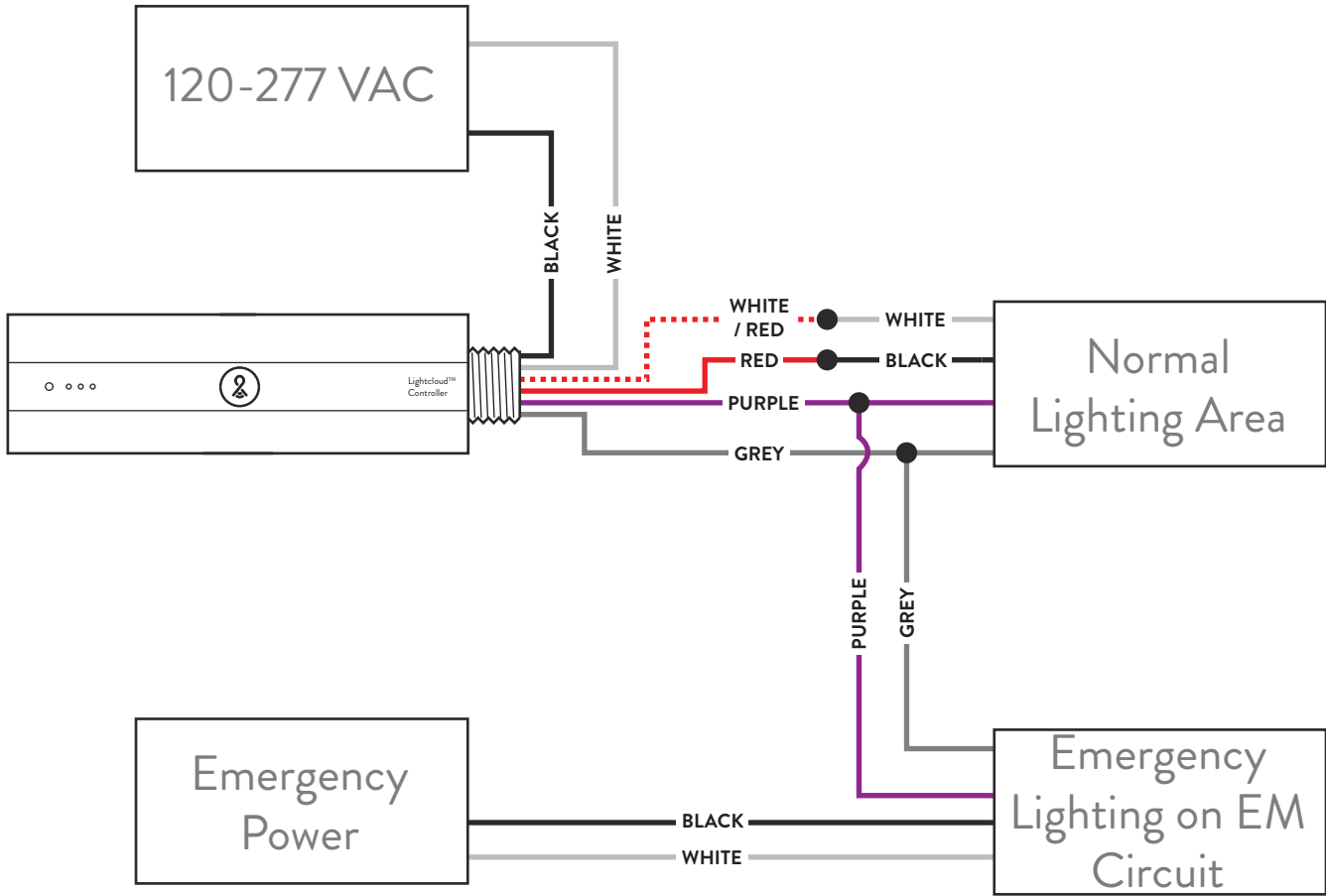
RAB

Controls



Lightcloud Emergency and Normal Lighting

Lightcloud Controllers can be used to control Emergency Lighting fed with “Always ON” Emergency Power. Upon loss of power, Emergency lighting will fail to “Full ON” light output.



Notes: In spaces where there is only one luminaire, and it is connected to emergency power, the Controller will need to be connected to a Normal Power Circuit for proper operation. Emergency fixtures with on-board battery backup don't require special wiring.



Any wires not in use must be capped off or otherwise insulated. This product should only be installed by a qualified electrician and in compliance with local and national electrical codes.

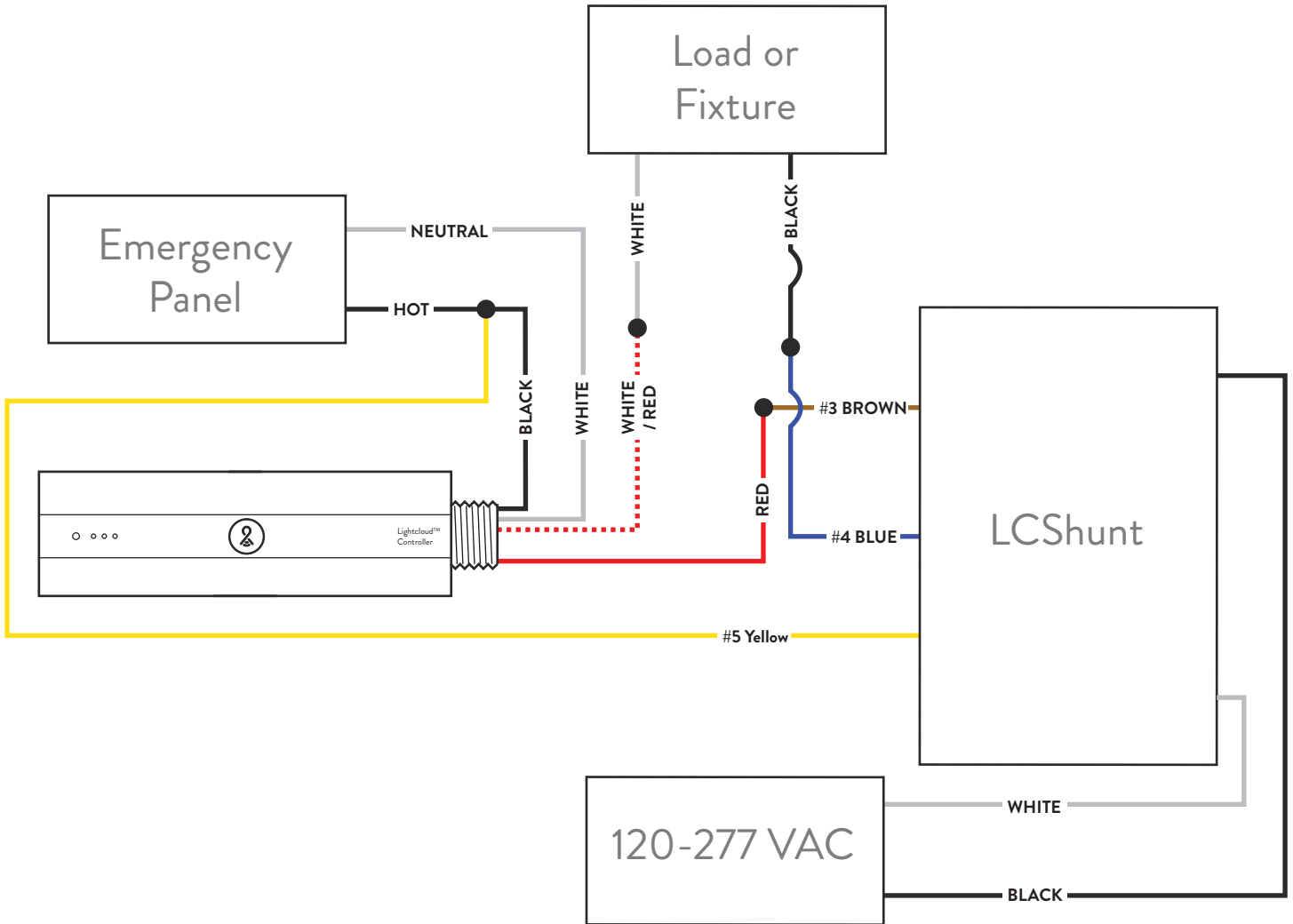
RAB

Controls



Lightcloud Emergency Shunt On/Off

Lightcloud Controller emergency fixture wiring with LCShunt for on/off operation.



Note: The LCSHUNT includes a 20A rated high voltage Form C (N/O+N/C) relay and is UL924 Listed for emergency lighting control applications. The LCSHUNT can bypass a line voltage switch or dimmer, ensuring that an emergency fixture illuminates at full brightness during a utility power interruption.



Any wires not in use must be capped off or otherwise insulated.
This product should only be installed by a qualified electrician and in compliance with local and national electrical codes.

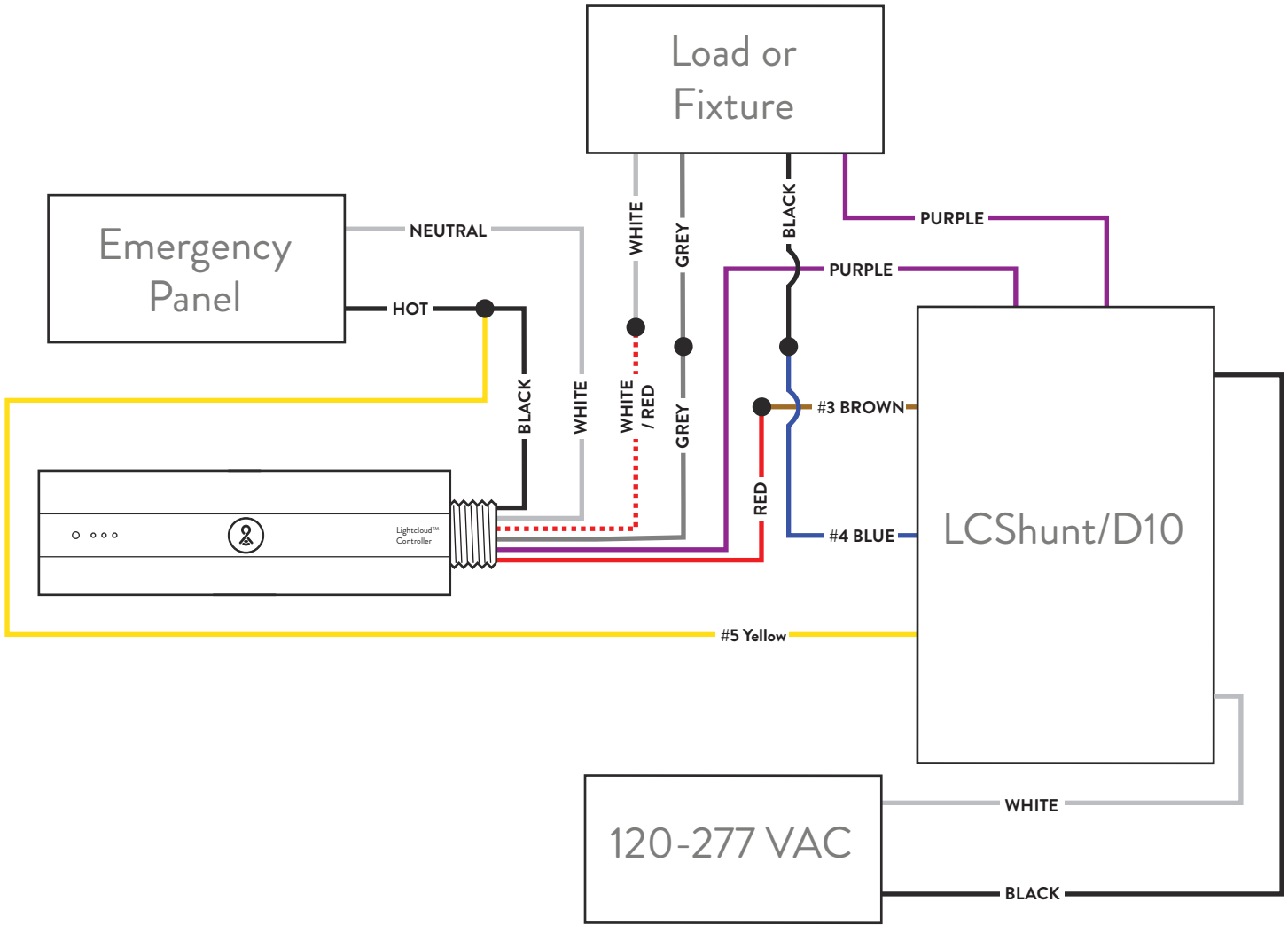
RAB

Controls



Lightcloud Emergency Shunt Dimming

Lightcloud Controller emergency fixture wiring with LCShunt/D10 for on/off and 0-10V dimmable operation.



Note: The LCSHUNT includes a 20A rated high voltage Form C (N/O+N/C) relay and a low voltage Form A (N/O) relay and is UL924 Listed for emergency lighting control applications. The LCSHUNT can simultaneously bypass both a line voltage switch and a 0-10V dimming signal, ensuring that an emergency fixture illuminates at full brightness during a utility power interruption.



Any wires not in use must be capped off or otherwise insulated.
 This product should only be installed by a qualified electrician and in compliance with local and national electrical codes.

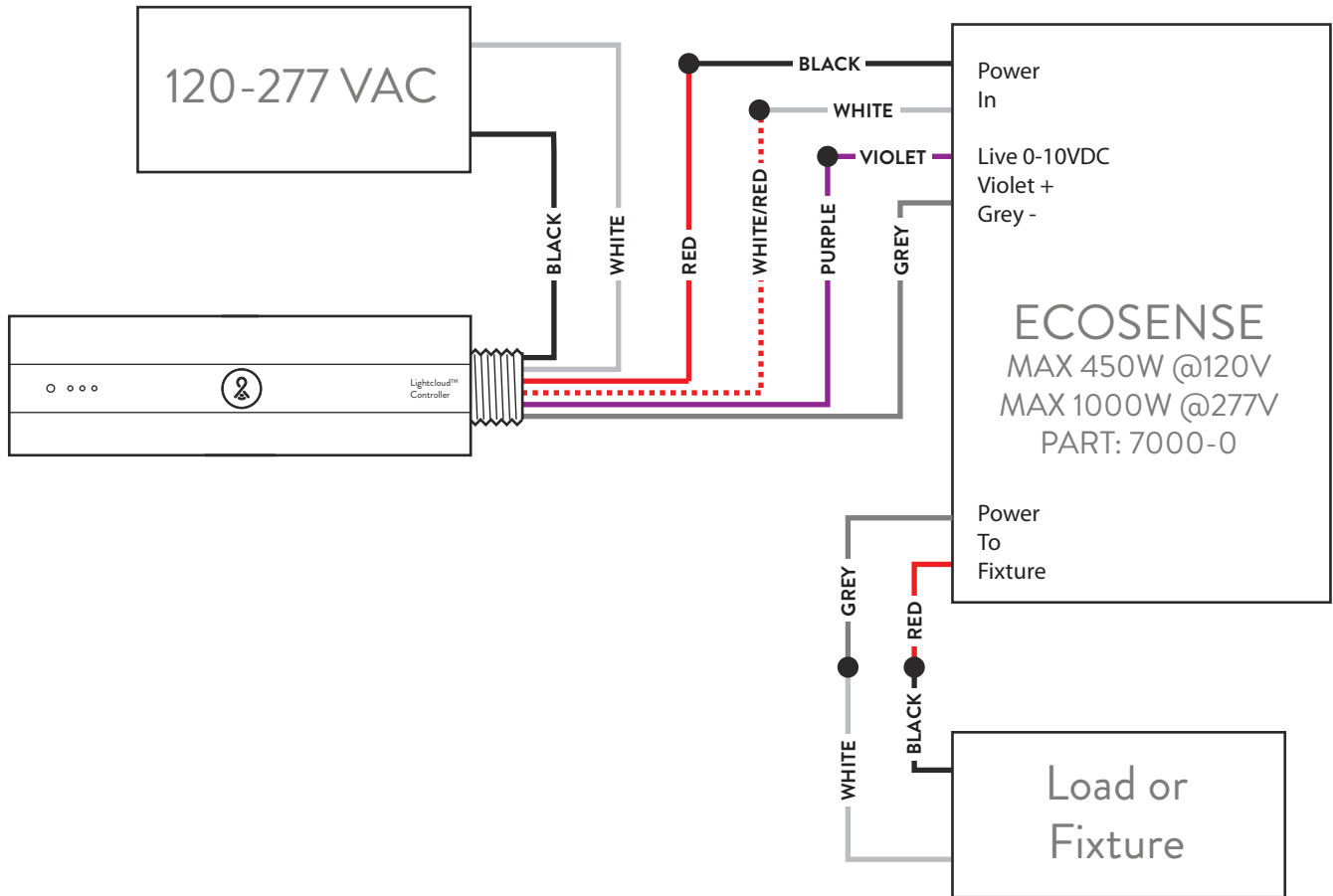
RAB

Controls



Lightcloud Phase Dimming <450W

Lightcloud Controllers can dim phase loads using a phase dimming adapter. For loads under 450W @ 120V and 1000W @ 277V, we recommend the Ecosense Ecospec adapter.



Phase Dimmer

Ecosense Ecospec Linear Dimming Control Module
450W MAX @ 120V
1000W MAX @ 277VD



Any wires not in use must be capped off or otherwise insulated. This product should only be installed by a qualified electrician and in compliance with local and national electrical codes.

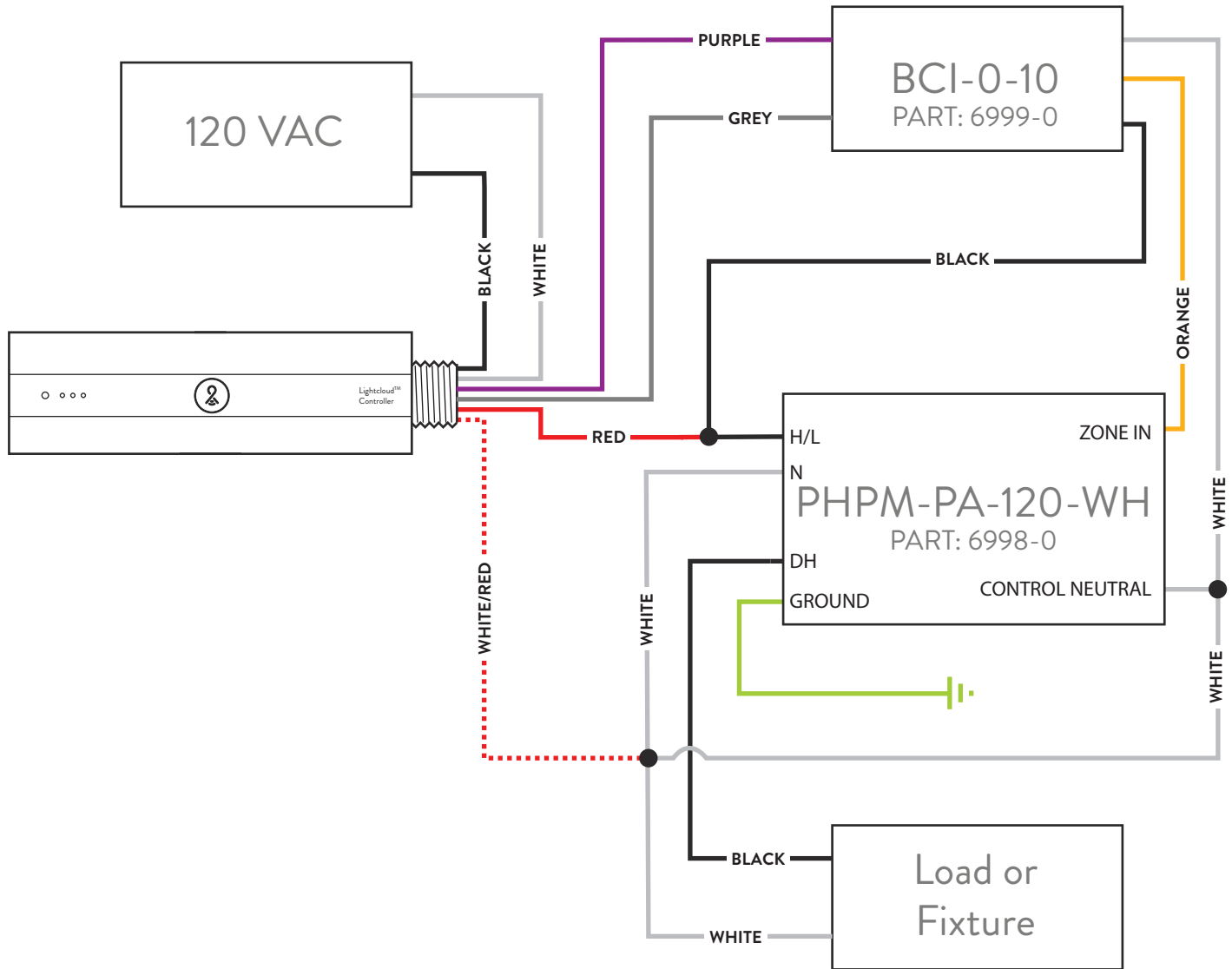
RAB

Controls



Lightcloud Phase Dimming 450-1800W

Lightcloud Controllers can dim phase loads using a phase dimming adapter. For loads between 450 and 1800W, we recommend the Lutron PHPM-PA-120-WH Phase Dimmer and BCI-0-10 Ballast Control Interface.



Phase Dimmer

Lutron PHPM-PA-120-WH
120 V @ 16 A

Ballast Control Interface

Lutron BCI-0-10
Control Input Voltage: 0-10 V-
Control Input Current: Source 500 μ A
Compatible Voltage: 120-277 V~ 50/60 Hz



Any wires not in use must be capped off or otherwise insulated.
This product should only be installed by a qualified electrician and in compliance with local and national electrical codes.

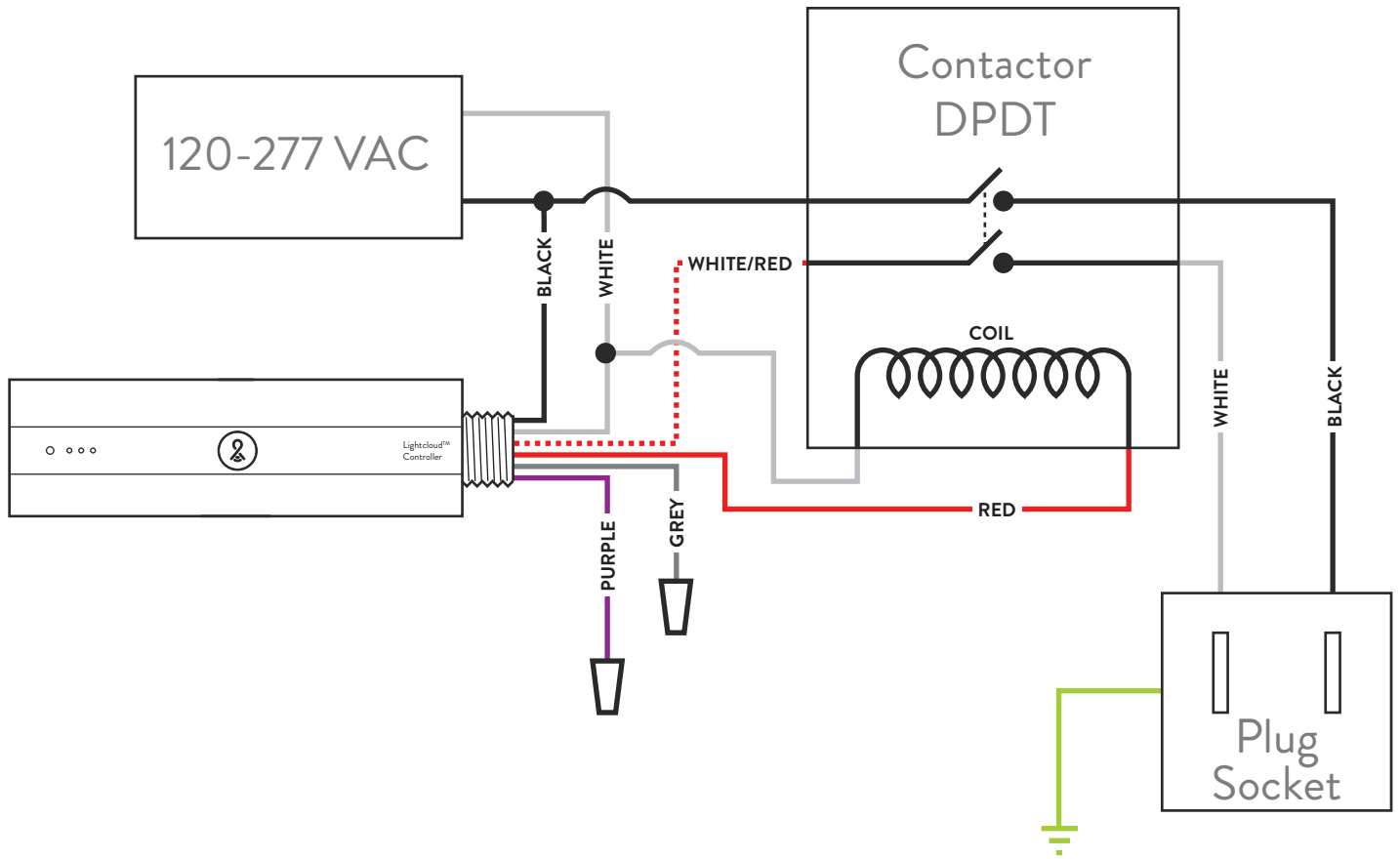
RAB

Controls



Lightcloud Plug Load Control

Lightcloud Controllers can control electrical outlets using a contactor.



Any wires not in use must be capped off or otherwise insulated.
This product should only be installed by a qualified electrician and in compliance with local and national electrical codes.

RAB

Controls

Welcome



Lightcloud®

Luminaire Controller

LCLC3/D10

WE'RE HERE TO HELP:

1 (844) LIGHTCLOUD

1 (844) 544-4825

support@lightcloud.com

Hello

Lightcloud is a wireless lighting control system. The Lightcloud Luminaire Controller is a remotely controlled switching and dimming device that can be installed into luminaires.

Product Features

Wireless Control & Configuration

Switching up to 3A

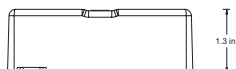
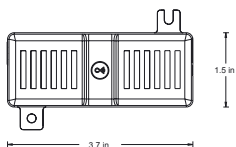
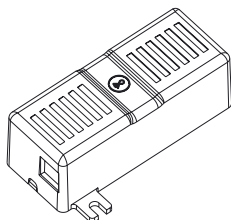
0-10V Dimming

Power Monitoring

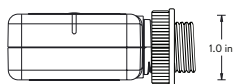
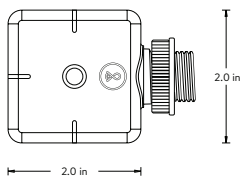
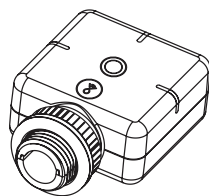
Patent Pending

Contents

Actuator Module, P/N 24586



Radio Module, P/N 24572



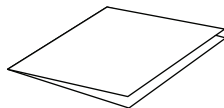
Wire Nuts



Gasket



Instruction Manual



Specifications & Ratings

PART NUMBER

LCLC3/D10

INPUT

120/277VAC, 50/60Hz

CURRENT DRAW

<0.6W(Standby)-1W(Active)

LOAD SWITCHING CAPACITY

LED, CFL, Tungsten 120/277VAC 500W;
Magnetic 120VAC 264VA, 277VAC 500VA;
Resistive/Inductive 120VAC 500W

OPERATING TEMPERATURE:

-40°C to +50°C max temp

ACTUATOR MODULE OVERALL DIMENSIONS:

3.7" x 1.5" x 1.3"

RADIO MODULE OVERALL DIMENSIONS:

2" x 2" x 1"

WIRELESS RANGE

Line-of-Sight: 700 feet Obstructions: 70 feet

INDOOR USE ONLY

DAMP LOCATION

What You Need



Lightcloud Gateway

A Lightcloud installation requires at least one Lightcloud Gateway to manage your devices.

WE'RE HERE TO HELP:

1 (844) LIGHTCLOUD

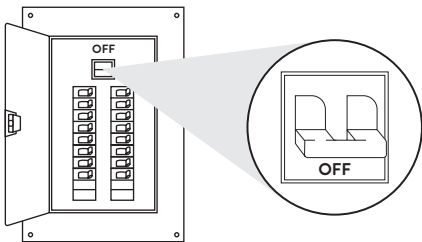
1 (844) 544-4825

support@lightcloud.com

Setup & Installation

1 Turn off power

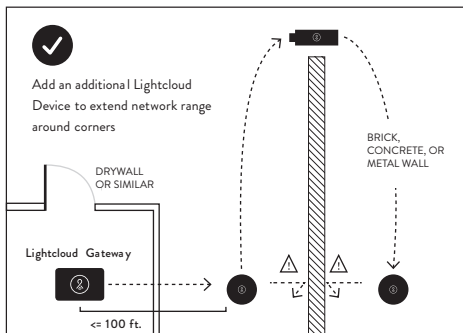
 **WARNING**



1a Find a Suitable Location

Use these guidelines when installing devices:

- If there is a clear line of sight between a Luminaire Controller and another Lightcloud device they can be placed up to 700 feet apart.
- If a Luminaire Controller and another Lightcloud device are separated by ordinary drywall construction, try to keep them within 70 ft. of each other.
- Brick, concrete and steel construction may require additional Lightcloud devices to go around the obstruction.



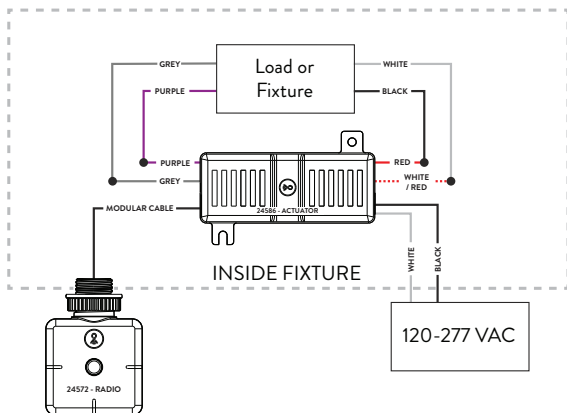
Setup & Installation (cont'd)

② Install the Luminaire Controller

For luminaires pre-installed with the Luminaire Controller, skip to Step 3.

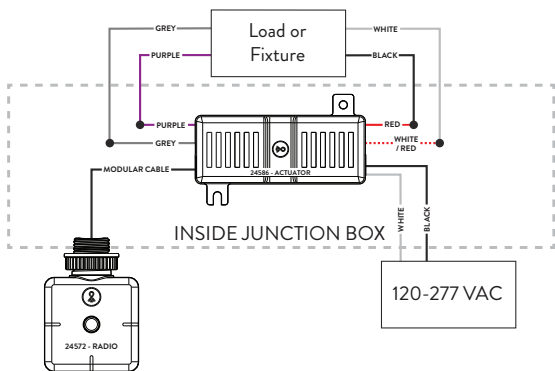
2a Fixture Installation with Actuator Module Inside

If the interior of your luminaire can accommodate the dimensions of the actuator module, install the actuator module inside the housing, and attach the radio module to the outside of the housing via a knockout.



2b Installation with Junction Box

If the interior of your luminaire cannot accommodate the actuator module, the Luminaire Controller can be mounted into a junction box, with the radio module always outside any metal enclosure.



3 Install Luminaire

Install the luminaire with integrated Luminaire Controller as normal, allowing for any room to accommodate the external radio module of the LCLC3/D10.

Setup & Installation (cont'd)

④ Labeling your device

When installing devices, it's important to keep track of their Device IDs, installation locations, panel/circuit #s, dimming function, and any additional notes. To organize this information, use the Lightcloud Installer Application (A) or Device Table (B).

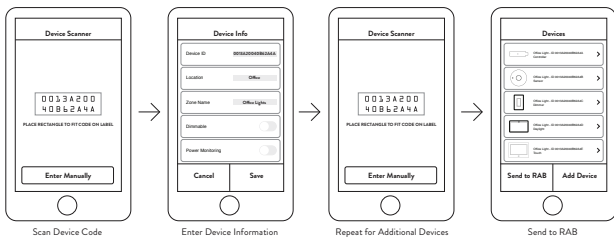
4a Lightcloud Installer Application

Install the LC Installer Application:

LC Installer is available for iOS and Android.

Scan & Install Lightcloud Devices:

Scan each device and assign to a room. It's recommended that each device is scanned just before or just after being wired so no devices are missed. The more notes that are given, the easier it is to commission the system.



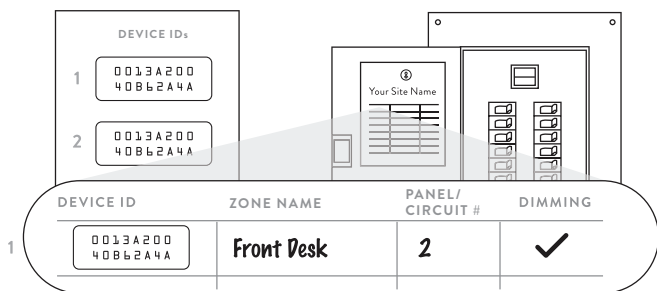
Send to RAB:

Once all of the devices have been added and organized, submit the information for commissioning.

Setup & Installation (cont'd)

4b Device Table

Two Lightcloud Device Tables are provided with each Gateway: one that you can attach to your panel and one to hand off to a building manager. Attach the Device Identification stickers included with each device to a row, then write in additional information, such as Zone name, Panel/Circuit Number, and whether or not a Zone uses dimming.

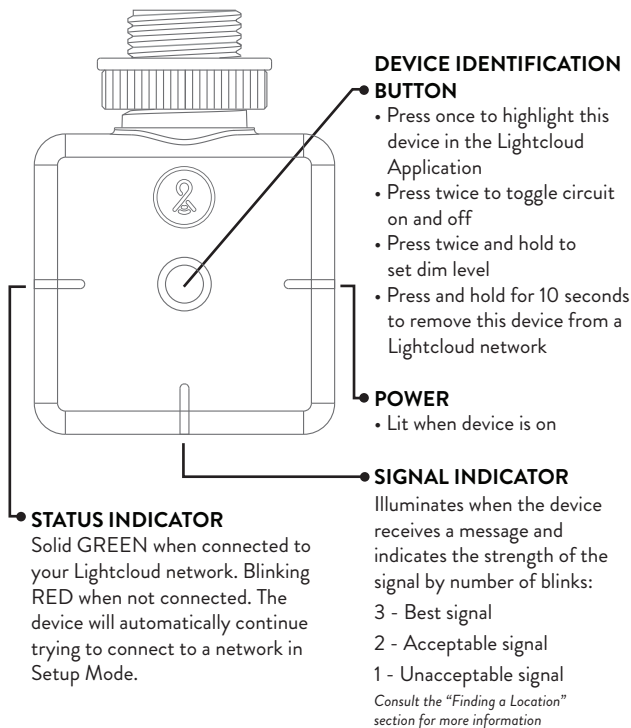


5 Power up

To add devices to your Lightcloud network, call RAB at 1 (844) LIGHTCLOUD, or email us at support@lightcloud.com

6 Confirm device connectivity

Confirm Status Indicator is Solid Green (see details below)



7 Commission your devices

Log on to www.lightcloud.com or call 1 (844) LIGHTCLOUD

Functionality

Configuration

All configuration of Lightcloud products may be performed using the Lightcloud web Application, or by calling RAB.

WE'RE HERE TO HELP:

1 (844) LIGHTCLOUD

1 (844) 544-4825

support@lightcloud.com

Power Measurement

The Lightcloud Luminaire Controller is capable of measuring the power usage of the attached luminaire. In order to utilize this function, the neutral wire of the load must be connected to the white-red neutral wire. If the white-red neutral line cannot be used, it should be tied to the regular neutral wires (i.e. all neutral wires joined).

Power Loss Detection

If mains power to the Controller is lost, the device will detect this and alert the Lightcloud Application.

Emergency Default

If communication is lost, the Controller may optionally fall back to a specific state, such as turning the attached luminaire on.

[Warning: Any wires not in use must be capped off or otherwise insulated.]

FCC Information:

This device complies with Part 15 of the FCC Rules. Operation is subject to the following two conditions: 1. This device may not cause harmful interference, and 2. This device must accept any interference received, including interference that may cause undesired operation.

Note: This device has been tested and found to comply with the limits for Class B digital devices pursuant to Part 15 Subpart B, of the FCC rules. These limits are designed to provide reasonable protection against harmful interference in a residential environment. This equipment generates, uses, and can radiate radio frequency energy, and if not installed and used in accordance with the instruction manual, may cause harmful interference to radio communications. However, there is no guarantee that interference will not occur in a particular installation. If this equipment does cause harmful interference to radio or television reception, which can be determined by turning the equipment of and on, the user is encouraged to try and correct the interference by one or more of the following measures:

- Reorient or relocate the receiving antenna.
- Increase the separation between the equipment and receiver.
- Connect the equipment into an outlet on a circuit different from that to which the receiver is connected.
- Consult the dealer or an experienced radio/TV technician for help.

To comply with the FCC's RF exposure limits for general population / uncontrolled exposure, this transmitter must be installed to provide a separation distance of at least 20 cm from all persons and must not be co-located or operating in conjunction with any other antenna or transmitter.

CAUTION: Changes or modifications to this equipment not expressly approved by RAB Lighting may void the user's authority to operate this equipment.



It's powerful and
flexible, yet easy to use
and install. Learn more at
lightcloud.com

1 (844) LIGHTCLOUD

1 (844) 544-4825

support@lightcloud.com

RAB | Controls

Custom manufactured in China

© RAB Lighting, Inc

170 Ludlow Avenue Northvale, NJ 07647



Lightcloud is a commercial wireless lighting control system & service. It's powerful and flexible, yet easy to use and install. Learn more at lightcloud.com

1 (844) LIGHTCLOUD

1 (844) 544-4825

support@lightcloud.com

RAB[®]

© RAB Lighting, Inc

170 Ludlow Avenue Northvale, NJ 07647

Custom manufactured in China

Welcome



Lightcloud[™]

Daylight

LCDAYLIGHT

WE'RE HERE TO HELP:

1 (844) LIGHTCLOUD

1 (844) 544-4825

support@lightcloud.com

FCC Information:

This device complies with Part 15 of the FCC Rules. Operation is subject to the following two conditions:

- 1. This device may not cause harmful interference, and*
- 2. This device must accept any interference received, including interference that may cause undesired operation.*

Note: This device has been tested and found to comply with the limits for Class B digital devices pursuant to Part 15 Subpart B, of the FCC rules. These limits are designed to provide reasonable protection against harmful interference in a residential environment. This equipment generates, uses, and can radiate radio frequency energy, and if not installed and used in accordance with the instruction manual, may cause harmful interference to radio communications. However, there is no guarantee that interference will not occur in a particular installation. If this equipment does cause harmful interference to radio or television reception, which can be determined

by turning the equipment off and on, the user is encouraged to try and correct the interference by one or more of the following measures:

- Reorient or relocate the receiving antenna.*
- Increase the separation between the equipment and receiver.*
- Connect the equipment into an outlet on a circuit different from that to which the receiver is connected.*
- Consult the dealer or an experienced radio/TV technician for help.*

To comply with FCC RF exposure limits for general population/uncontrolled exposure, this transmitter must be installed to provide a separation distance of at least 20cm from all persons and must not be co-located or operating in conjunction with any other antenna or transmitter.

CAUTION: *Changes or modifications to this equipment not expressly approved by RAB Lighting, Inc. may void the user's authority to operate this equipment.*

Hello

Lightcloud is a wireless lighting control service. The Lightcloud Daylight is a remote, self-powered, open-loop light sensor that can switch and dim Lightcloud Controllers and other Lightcloud devices.

Product Features

Wireless Sensing & Configuration

Ambient Light Sensor

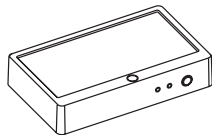
Innovative Self-Powered Design

No Batteries

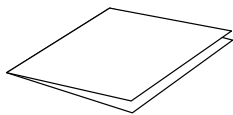
Patent Pending

Contents

Lightcloud Daylight



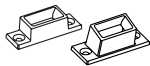
Instruction Manual



Mounting Screws



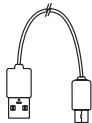
Straight & Angled Mounting Brackets



Power Supply for Setup



USB Cable for Setup



Specifications

PART NUMBER

LCDAYLIGHT

OPERATING TEMPERATURE

-10°C to 40°C

OPERATING HUMIDITY

10% RH to 95% RH

OVERALL DIMENSIONS

5.25" x 3.16" x 1"

USB POWER SPECIFICATIONS

Nominal Input Voltage 100-240VAC

Nominal Input Current 6mA

Nominal Power 0.2W

Frequency 47Hz-63Hz

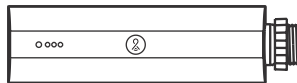
Warranty is active as long as service plan is active.
Indoor Rated.

What You Need



Lightcloud Gateway

A Lightcloud installation requires at least one Lightcloud Gateway to manage your devices.



Lightcloud Controller

(Or similar Lightcloud actuation device)

The Daylight is designed to remotely control one or more Lightcloud devices that are capable of switching or dimming, such as the Lightcloud Controller or Ceiling Sensor.

WE'RE HERE TO HELP:

1 (844) LIGHTCLOUD

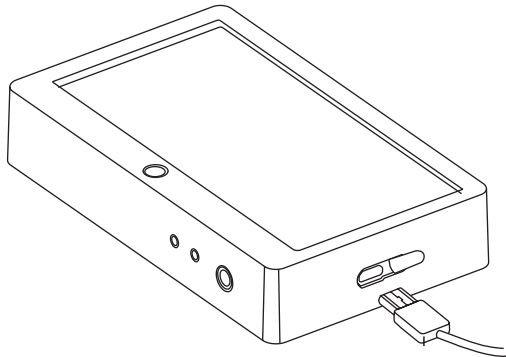
1 (844) 544-4825

support@lightcloud.com

Setup & Installation

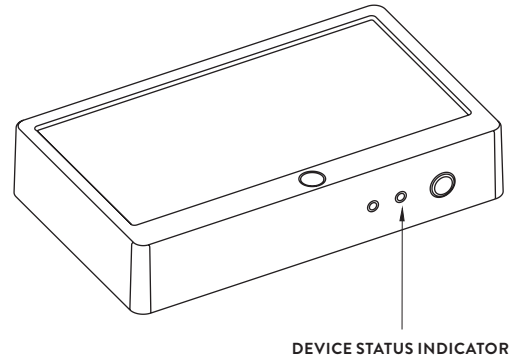
① Plug in the Daylight device (setup only)

To join your Daylight to a Lightcloud network, plug it in with the included Micro USB power adapter. The white Power Indicator will come on and the Device Status Indicator will blink red every 10 seconds until it is joined to your network. For setup purposes, you can plug the device in anywhere that's convenient, but please stay near the location where it will be permanently installed in order to ensure continued network connectivity. Once setup has been completed, you can unplug the device and it will operate exclusively on solar power—no batteries necessary.



② Contact RAB to add your Daylight

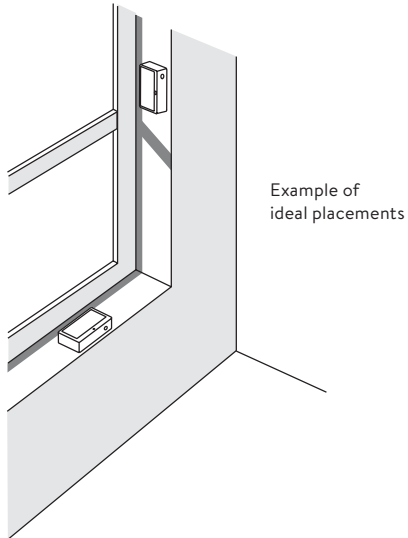
Call us at 1(844) LIGHTCLOUD or email support@lightcloud.com and we'll get your Daylight device added to your Lightcloud network immediately. When USB power is removed, it is normal for this LED to be unlit.



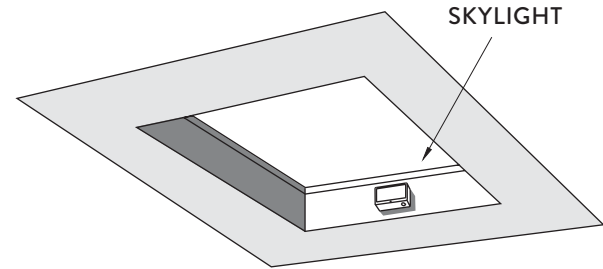
Setup & Installation (cont'd)

3 Find a Suitable Location

- 3a** The Daylight needs sunlight to operate, and must be within range of another Lightcloud device. Direct sunlight is ideal, but indirect sunlight may be acceptable if there's enough of it.



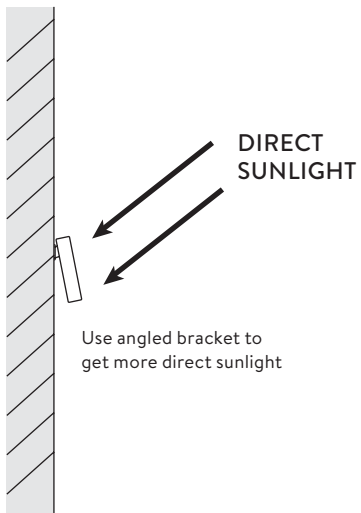
- 3b** A skylight is a great location for the Lightcloud Daylight. Be aware of where shadows will land throughout the day and position the device where it will receive the most direct sunlight.



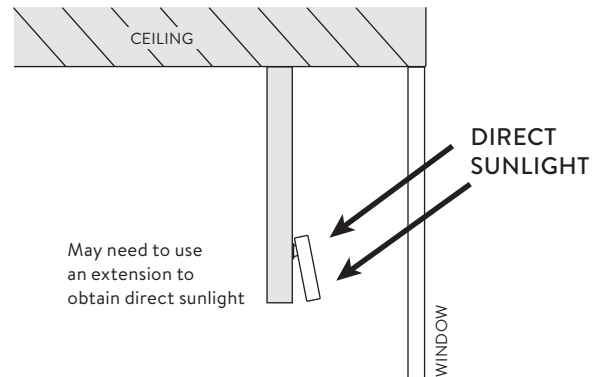
NOTE: Remember, south-facing surfaces usually receive more direct sunlight than north-facing surfaces.

Setup & Installation (cont'd)

- 3c** The Daylight includes an angled mounting bracket that can be used to maximize the amount of sunlight landing on the device's face.



- 3d** In some cases, you may want to use an extension of some kind (not included) to mount the device from the ceiling. Just be sure it ends up in direct sunlight as much as possible.



The Daylight must be within range of a Lightcloud device or Gateway. See “Finding a Location”

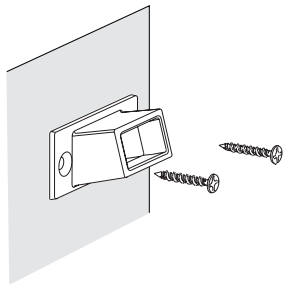


The Daylight will not act as a “repeater” to extend the range of your Lightcloud network. If you need to extend your network range, use a Lightcloud Controller or other AC-powered device.

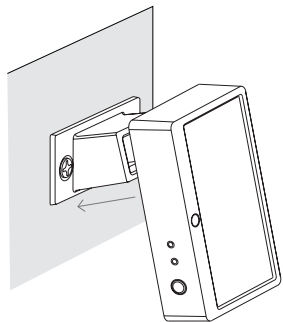
Setup & Installation (cont'd)

④ Install

- 4a** Screw the straight or angled mounting bracket to the mounting surface.



- 4b** Snap the Daylight onto the mounting bracket.



⑤ Configure

Login at lightcloud.com and click on Devices to associate a zone at your site. The application will show the last measured light level so you can configure actions to take at different levels. Or, simply call or email us:

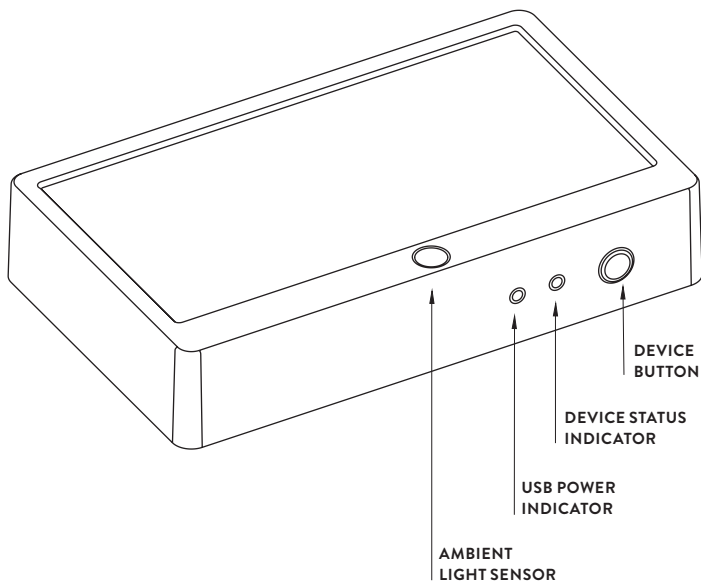
1 (844) LIGHTCLOUD

1 (844) 544-4825

support@lightcloud.com

Functionality

Overview



DEVICE STATUS INDICATOR:

- **Unlit:** When not powered by USB, indicates that the device is joined to a Lightcloud network and is operating normally
- **Solid green:** When powered by USB, indicates that the device is joined to a Lightcloud network
- **Green blink:** After pressing the Device Button, indicates that a light level measurement has been transmitted
- **Single red blink every 10 seconds:** Not joined to a Lightcloud network
- **Green/Red alternating:** Resetting to factory defaults

USB POWER INDICATOR:

- **White:** Powered by USB

DEVICE BUTTON:

- **Press:** Indicate in Lightcloud application and measure light level
- **Hold for 10 seconds while USB powered:** Force device to leave current Lightcloud network
- **Hold for 10 seconds while connecting USB power:** Reset to factory defaults and leave current network

DAYLIGHT HARVESTING:

Daylight Harvesting is the use of daylight to offset the use of electric lighting to light a space. If there's enough daylight in a space, the Lightcloud Daylight can make sure the lights are turned down or off, and turn them back on when the sun goes down.

The Lightcloud Daylight automatically takes light level measurements every 10 minutes. Pressing the Device Button will make an immediate measurement. Call or email RAB, or log in to lightcloud.com to configure actions to take at different light levels, such as turning off a zone when the light level exceeds 50 foot-candles.



Lightcloud is a commercial wireless lighting control system & service. It's powerful and flexible, yet easy to use and install. Learn more at lightcloud.com

1 (844) LIGHTCLOUD

1 (844) 544-4825

RAB[®]

© RAB Lighting, Inc

170 Ludlow Avenue Northvale, NJ 07647

Custom manufactured in China

Welcome



Lightcloud[™]

Dimmer

LCDIMMERW

WE'RE HERE TO HELP:

1 (844) LIGHTCLOUD

or 1 (844) 544-4825

Hello

Lightcloud is a wireless lighting control service. The Lightcloud Dimmer is an in-wall switch that connects wirelessly to a Lightcloud Controller to provide switching, dimming and scene control.

Product Features

Wireless Control & Configuration

Zone Switching & Dimming

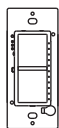
Dim Level Indicator

Scene Selection

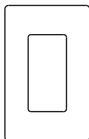
Nightlight

Contents

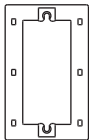
Dimmer



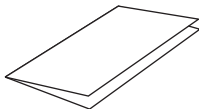
Faceplate



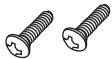
Faceplate Bracket



Instruction Manual



2x 6-32 1/2" Screws



2x 6-32 5/16" Screws



Specifications

PART NUMBER

LCDIMMER/W

INPUT

120-277VAC, 50/60Hz, 2W

OPERATING TEMPERATURE

0°C to 40°C

DIMENSIONS

Dimmer: 1.77"W x 2.7"H x 1.49"D

Faceplate: 2.94"W x 4.69"H x 0.06"D

Faceplate Bracket: 2.8"W x 4.55"H x 0.13"D

18AWG grounding; terminals supporting up to 12AWG wire

WIRELESS RANGE

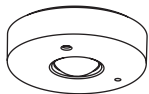
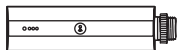
Line-of-Sight: 1000 feet

Obstructions: 100 feet

What You Need

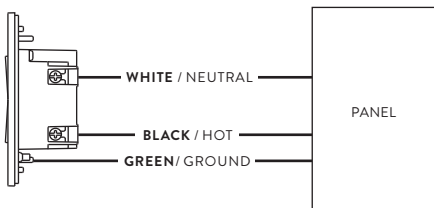


A Lightcloud Gateway



A Ceiling Sensor
(Or similar actuator)

Wiring



CAUTION

- Use only copper wire.
- Do not operate with the faceplate removed.
- This product should only be installed by a qualified electrician and in compliance with local and national electrical codes.
- This product should only be installed in a UL-approved single gang wall-box enclosure.
- Indoor use only.

WE'RE HERE TO HELP:

1 (844) LIGHTCLOUD

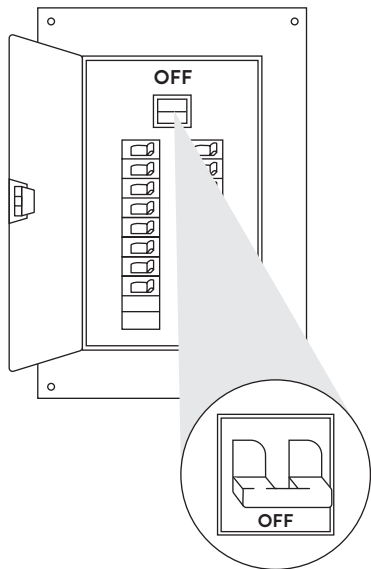
or 1 (844) 544-4825

Finding a suitable location

Lightcloud uses a wireless mesh network to connect devices such as the Dimmer to the Gateway. Unlike a WiFi router, each Lightcloud device may connect another device to the network. If there is a clear line of sight between two Lightcloud devices, they can be placed up to 1000 feet apart. If the two devices are separated by ordinary drywall construction, try to keep them within 100 feet of each other. Brick, concrete and steel construction may require additional AC-powered Lightcloud devices to go around the obstruction. See the Deployment section of your Gateway for more information.

Setup & Installation

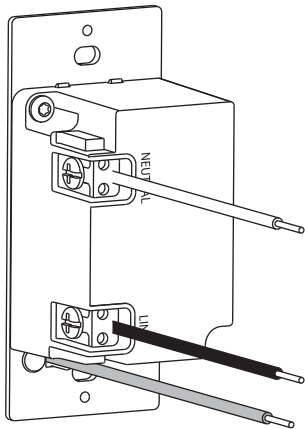
① Turn off power



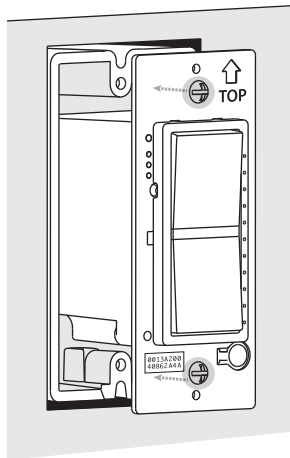
Setup & Installation (cont'd)

② Install the Lightcloud Dimmer

- 2a** Screw the line (black) and neutral (white) wires into the labeled connectors on the back of the Dimmer. Connect the ground wire (green).



- 2b** Use the two 6-32 1/2" Phillips round head screws to secure the Dimmer to the junction box.

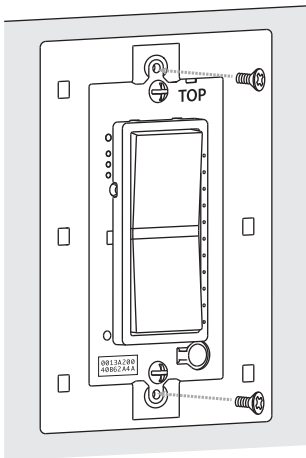


Make sure the arrow labeled "TOP" is pointing up.

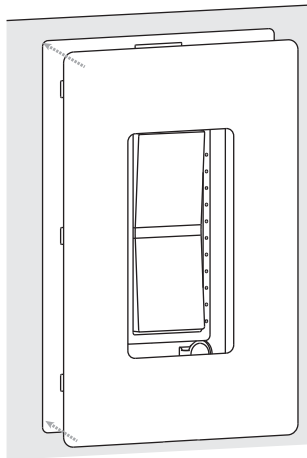
Setup & Installation (cont'd)

2 Install the Lightcloud Dimmer (cont'd)

- 2c** Use the two 6-32 5/16" Phillips flat-head screws provided to secure the faceplate bracket to the Dimmer.

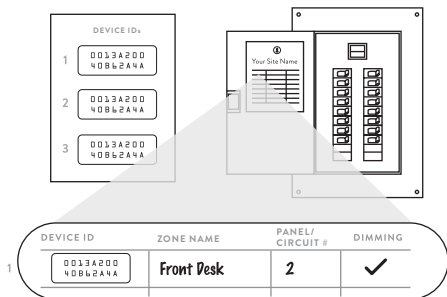


- 2d** Snap the faceplate onto the faceplate bracket.



Setup & Installation (cont'd)

3 Labeling your device



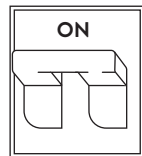
For setup and maintenance, we provide two Lightcloud Device Tables with the Gateway: one that you can attach to your panel and one to hand off to a building manager. Attach the Device Identification stickers included with each device to a row, then write in additional information, such as Zone name, Panel/Circuit Number, and whether or not a zone uses dimming.

4 Power up

To add your Lightcloud Dimmer to your system, enable Setup Mode via the Lightcloud application or call RAB at 1 (844) 544-4825. When the Dimmer powers up, it will automatically try to join, and keep trying until it is able to join.

If you are installing multiple devices, you may wait until they are all installed to enable Setup Mode.

When all devices have been commissioned, remember to disable Setup Mode.



5 Confirm device connectivity

Confirm Network Status Indicator is solid green (see details below).

Functionality

Configuration

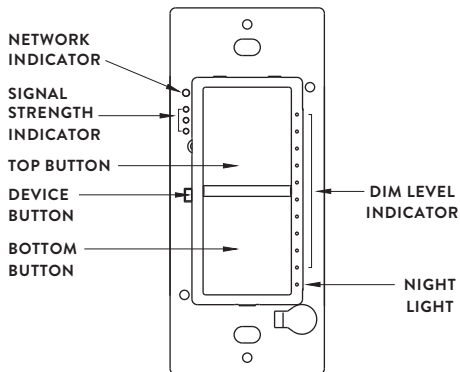
To pair the Dimmer with a zone, assign scenes or perform other configuration, use the Lightcloud web application or call RAB:

WE'RE HERE TO HELP:

1 (844) LIGHTCLOUD

or 1 (844) 544-4825

Overview



DEVICE BUTTON (*press using paperclip*):

- **Single press:** Indicate in Lightcloud application
- **Hold for 10 seconds:** Force device to leave current Lightcloud network

DIM LEVEL INDICATOR:

- Displays current dim level (Zone mode)

NIGHTLIGHT:

- **White:** Lit when zone is off so you can find the dimmer

SIGNAL STRENGTH INDICATOR:

- Indicates strength of the connection to next Lightcloud Device

NETWORK INDICATOR:

- **Solid green:** Connected to a Lightcloud network
 - **Blinking red:** Not connected to a Lightcloud network
- The network and signal strength indicators are lit for 10 minutes following initial power on. To display the indicators later on, simply press the device button once.*

TOP AND BOTTOM BUTTONS:

Functionality depends on which mode is being used; see next page for details.

Functionality (cont'd)

Features

The Lightcloud Dimmer can be used in Switch Mode, Dimmer Mode or Scene Mode. To switch between these modes and access other configuration options, use the Lightcloud web application, or call RAB at 1-844-LIGHTCLOUD.

SWITCH MODE: In Switch Mode, the Dimmer is paired with a specific zone to provide switching.

Top and Bottom Buttons:

- **Single Press:** Switch zone on/off

DIMMER MODE: Dimmer Mode takes Switch Mode and adds dimming capabilities.

Top Button:

- **Single press while zone is off:** switch zone on.
- **Single press while zone is on:** dim up to max gradually, stopping at current position if bottom button is pressed.
- **Press and hold while zone is on:** dim up gradually, release to set dim level.

Bottom Button:

- **Single press while zone is on:** switch zone off.
- **Press and hold while zone is on:** dim down gradually, release to set dim level.

SCENE MODE: In Scene Mode, the top and bottom buttons activate preselected scenes. This can be configured using the Lightcloud web application or by calling RAB.

FCC Information:

This device complies with Part 15 of the FCC Rules. Operation is subject to the following two conditions:

1. This device may not cause harmful interference, and
2. This device must accept any interference received, including interference that may cause undesired operation.

Note: This device has been tested and found to comply with the limits for Class B digital devices pursuant to Part 15 Subpart B, of the FCC rules. These limits are designed to provide reasonable protection against harmful interference in a residential environment. This equipment generates, uses, and can radiate radio frequency energy, and if not installed and used in accordance with the instruction manual, may cause harmful interference to radio communications. However, there is no guarantee that interference will not occur in a particular installation. If this equipment does cause harmful interference to radio or television reception, which can be determined by turning the equipment off and on, the user is encouraged to try and correct the interference by one or more of the following measures:

- Reorient or relocate the receiving antenna.
- Increase the separation between the equipment and receiver.
- Connect the equipment into an outlet on a circuit different from that to which the receiver is connected.
- Consult the dealer or an experienced radio/TV technician for help.

To comply with FCC RF exposure limits for general population/uncontrolled exposure, this transmitter must be installed to provide a separation distance of at least 20cm from all persons and must not be co-located or operating in conjunction with any other antenna or transmitter.

CAUTION: Changes or modifications to this equipment not expressly approved by RAB Lighting, Inc. may void the user's authority to operate this equipment. Custom manufactured in China.



RAB®

Manual

Device Specifications

PART NUMBER

LCGATEWAY

ELECTRICAL

The Lightcloud Gateway is designed to be hard-wired to AC power by a qualified electrician.

INPUT

120-277 VAC, 50/60 Hz

60-45mA

BATTERY

Li-ion battery. Contact RAB only for replacement batteries.

CAUTION! RISK OF EXPLOSION IF BATTERY IS REPLACED BY AN INCORRECT TYPE. DISPOSE OF USED BATTERIES ACCORDING TO LOCAL LAWS.

Some communities offer recycling or collection of rechargeable batteries—contact your local government for disposal practices in your area.

DISCONNECT

An external readily accessible disconnect device, such as a circuit breaker, is required.

Custom manufactured in China

Copyright © 2016 RAB Lighting, Inc.



Contents

- 5 **Introduction**
- 6 **System Overview**
- 7 **Lightcloud Gateway**
- 8 **Lightcloud Devices**

- 9 **Finding a Suitable Location**
- 10 Best Practices
- 11 Best Practices
- 12 Getting Started

- 13 **Installation**
- 14 Lightcloud Gateway
- 17 Lightcloud Devices & Table

- 18 **Setup**
- 18 Network Setup
- 18 Gateway Activation
- 18 Lightcloud Devices

Welcome to lighting control that just works.

Lightcloud is a cloud-based wireless lighting control system that makes it easy to take charge of your lighting—from sensing to dimming, schedules to scenes, and everything in between. Control and configure your system remotely using the Lightcloud Application, or call RAB to have our experts set up your system just how you need it.

System Overview

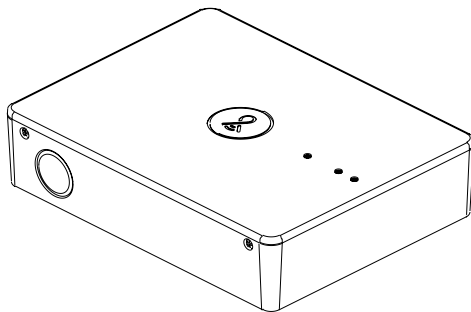
An individual Lightcloud installation, or Site, requires at least one Lightcloud Gateway depending on the environment and usage. Your Lightcloud devices communicate with each other and the Gateway via a wireless mesh network, which allows site layout to be flexible and robust.

The Lightcloud Gateway and Devices require a subscription to function beyond the installation period. Call RAB at **1 (844) LIGHTCLOUD** or visit lightcloud.com to set up your account. Your Lightcloud subscription gets you these state-of-the-art features:

- Online control & configuration at control.lightcloud.com
- Device commissioning
- Free support
- Telephone concierge
- Energy monitoring

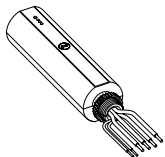
Lightcloud Gateway

The Gateway connects your system to our secure, private server via a cellular signal, so you don't have to worry about providing your own internet connection. With the Gateway powered and connected, your Lightcloud site is at your command with the Lightcloud Application. For maximum security, the Gateway isn't exposed to the internet at all, and for maximum reliability, the Gateway contains an Uninterruptible Power Supply (UPS) that will maintain power for up to 2 hours. When the Gateway is not powered or available, switching devices such as the Controller will fall back to a configurable emergency mode, such as turning on to full brightness.



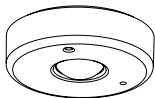
Lightcloud Devices

LIGHTCLOUD DEVICES THAT CONNECT TO THE GATEWAY



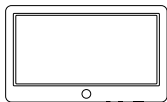
Lightcloud Controller

The Controller switches circuits up to 20A as well as provides a 0-10V dimming interface for dimmable drivers and ballasts.



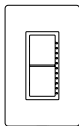
Lightcloud Ceiling Sensor

The Ceiling Sensor is an intelligent passive infrared motion sensor that can be configured for both occupancy and vacancy sensing. Switches up to 15A and provides 0-10V dimming.



Lightcloud Daylight

The Daylight is an innovative, self-powered daylight harvesting sensor that measures available light and adjusts your lighting automatically.



Lightcloud Dimmer

The Wall Dimmer puts advanced control at your fingertip. Configure via the Lightcloud App to switch & dim a zone or change scenes.

Finding a Suitable Location

The Gateway should be installed in a dry or non-condensing damp environment only.

Use these guidelines when installing additional Lightcloud devices:

- If there is a clear line of sight between two devices, they can be placed up to 1000 feet apart.
- If the two devices are separated by ordinary drywall construction, try to keep them within 100 feet of each other.
- Brick, concrete and steel construction may require additional devices to go around the obstruction.

Best Practices

Unlike an ordinary WiFi router, where all devices must be within range of the router, hardwired Lightcloud devices extend the range of the network—so as long as each device is within range of another, you'll have a strong, reliable system.

NOTE: *Lightcloud Daylight devices do not extend the range of a Lightcloud network.*

PROBLEM MATERIALS



METAL

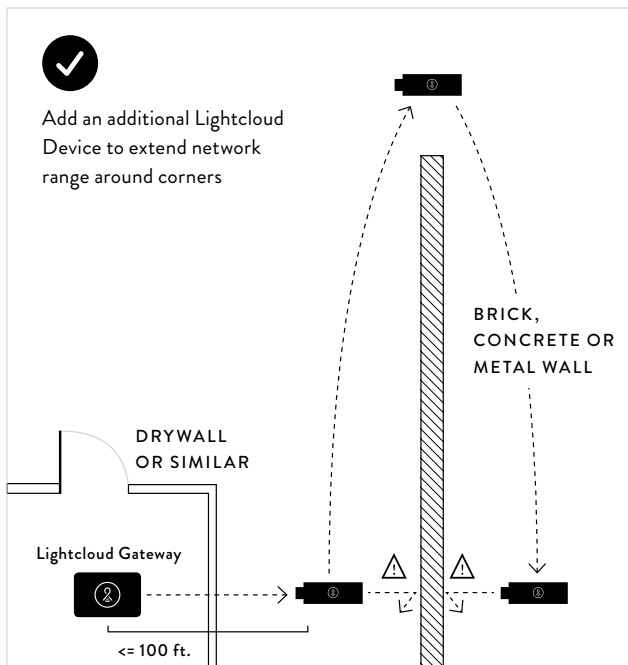


CONCRETE



BRICK

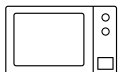
Large amounts of metal, concrete and brick are bad news for radio signals; in some cases, you'll have to go around these obstacles with additional AC-powered Lightcloud devices.



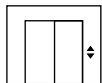
Best Practices (Continued)

Lastly, consider sources of invisible interference. Avoid placing Lightcloud devices near microwaves, motors (especially elevator mechanical rooms) or any other radio amplifiers and antennas.

PROBLEM DEVICES & SIGNALS



MICROWAVES



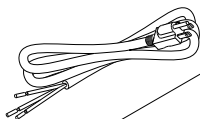
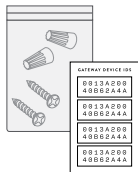
ELEVATOR MECHANICAL ROOMS



AMPLIFIERS & ANTENNAS

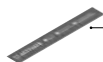
Getting Started

INSIDE YOUR GATEWAY

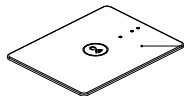


CONTAINS

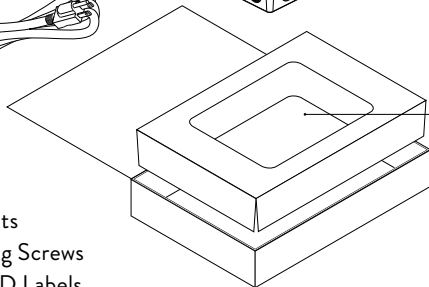
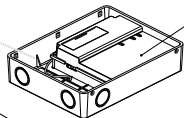
- 2x Wire Nuts
- 2x Mounting Screws
- 4x Device ID Labels
- 1x Power Cable*



ACTIVATION STEPS



GATEWAY



DEVICE TABLE

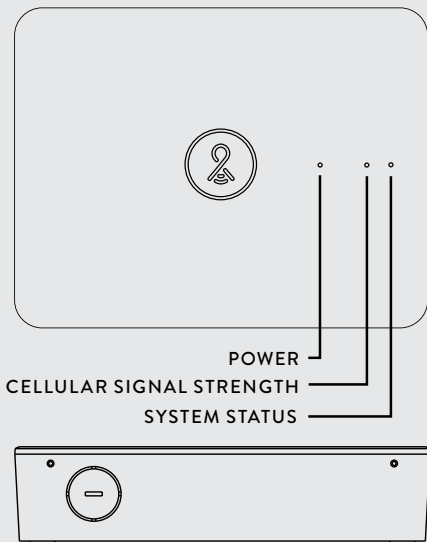
MANUAL



**The Lightcloud Gateway must be mains powered for permanent installation. Power cord including for testing cellular signal strength at different locations in a facility.*

Installation

The Lightcloud Gateway is rated 120-277VAC and contains an integral junction box for hard-wired installation by a qualified electrician.



LED Indicators

POWER

Green: Fully powered

CELLULAR

Off: No or poor cellular signal. You must move the Gateway to a location with better cellular signal.

Solid Yellow: Adequate cellular signal. This signal strength works for most applications, but if possible, move to a location with better signal.

Solid Green: Good cellular signal.

SYSTEM STATUS

Blinking Yellow: Initializing

Solid Yellow: Error: Cannot reach Lightcloud service. Check Cellular Signal Strength and call RAB for technical support.

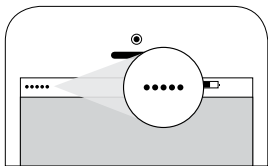
Blinking Green: Ready to connect with new Lightcloud devices

Solid Green: Normal operation

Installing the Lightcloud Gateway

Follow instructions and steps to successfully install your Gateway.

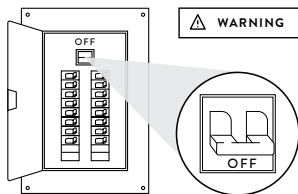
1 STEP ONE



Choose a location with good cellular signal. Check your phone's signal for reference.

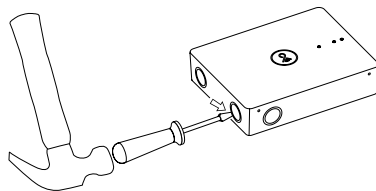
NOTE: Locations with significant concrete and brick construction, or underground locations, are not recommended. Do not install inside metal enclosures.

2 STEP TWO



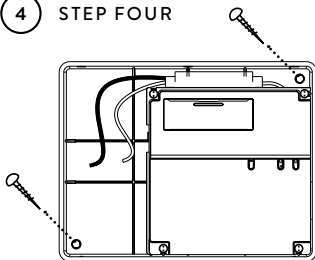
Turn off the breaker and prepare the circuit you'll use to power the Gateway. A dedicated circuit is recommended.

3 STEP THREE



Remove a knockout (KO) from the Gateway using a flat-blade screwdriver and hammer. Place the screwdriver blade at the edge of the KO, then tap the screwdriver with the hammer to weaken the attachment. Work your way around the edge of the KO until it breaks away.

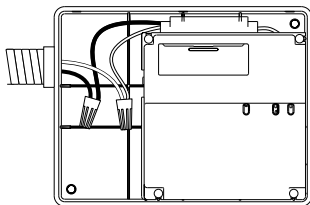
4 STEP FOUR



Mount the Gateway to the installation surface using size 10 screws appropriate for the surface material. For direct installation onto an external junction box, use the junction box's included screws.

NOTE: Conduit must be used to connect to side knockouts.

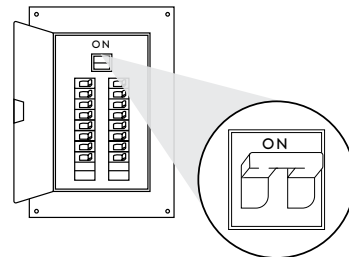
5 STEP FIVE



Install included battery with negative (-) end facing towards junction box area. Call RAB to request replacement rechargeable batteries. Use RAB-provided batteries only.

Connect hot and neutral wires with included wire nuts.

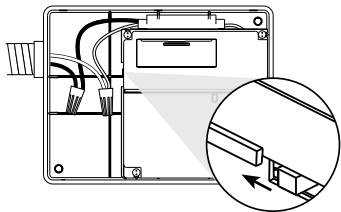
6 STEP SIX



Turn breaker back on.

Installing Lightcloud Gateway (Continued)

7 STEP SEVEN

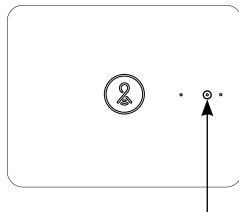


Turn on the Gateway main power switch. Replace outer cover and use included screws to secure.

When all devices are installed and powered, you're ready to call RAB to activate and verify your system, and complete your site's configuration.

NOTE: Use only RAB-authorized parts.

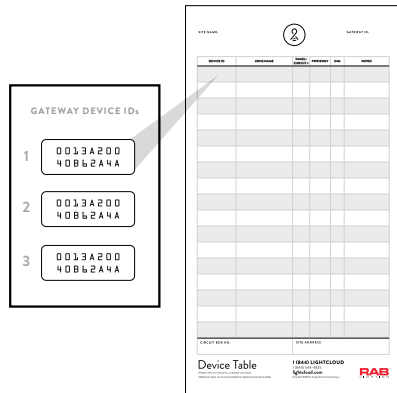
8 STEP EIGHT



Confirm that the cellular signal strength LED is yellow or green. If the Gateway is powered but this LED is not lit, relocate the Gateway to an area with better reception.

You can use the included power cable to easily test the signal strength in a few locations, but remember that the Gateway must be hardwired for permanent installation.

9 STEP NINE



Place extra Device ID stickers on your Lightcloud Device Table (see page 18) for future reference.

For each device, find the number from the panel and write it down on the Device Table.

Lightcloud Devices

Lightcloud devices that are mains hard-wired powered are designed to be installed on a junction box or similar enclosure, and must be installed by a qualified electrician. Refer to your device's manual for installation considerations and best practices.

TIP: Use extra Device ID stickers on or near your devices or circuits for easier identification.

Lightcloud Device Table

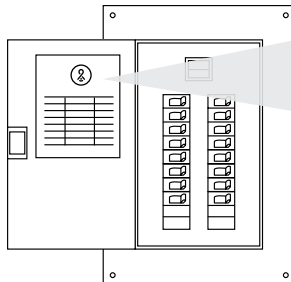
The Device Table is essential for referencing during setup or for troubleshooting—don't forget it! Two copies are provided: one to keep near your Gateway, and one for the building owner or facility manager to file.

IN THE BOX



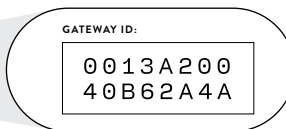
MOUNT IT

Mount device table to breaker box.



HOW TO USE IT

Place Gateway ID sticker at the top.



PWR/ENGY: if a zone uses the Controller's integrated power monitoring, place a checkmark.

DIM: if a zone uses the Controller's 0-10V dimming wires, place a checkmark here.

Setup

Gateway Activation

When you power your Gateway and it shows sufficient cellular signal (solid yellow or green LED), call **1 (844) LIGHTCLOUD** or 1 (844) 544-4825 to activate it and complete the rest of your site setup.

Network Setup

To add new devices to your Lightcloud network, call RAB at **1 (844) LIGHTCLOUD**.

Software Setup

Lightcloud is cloud-based—no software to install or maintain, ever. Once you have a Lightcloud account, you can login to lightcloud.com at any time to configure and control your system.

Full Service

Need to change something about your system? No need to log in—RAB can do it for you! Call **1 (844) LIGHTCLOUD** and our support specialists will get you where you want to be.

FCC Information:

This device complies with Part 15 of the FCC Rules. Operation is subject to the following two conditions:

- 1. This device may not cause harmful interference, and*
- 2. This device must accept any interference received, including interference that may cause undesired operation.*

Note: This device has been tested and found to comply with the limits for Class B digital devices pursuant to Part 15 Subpart B, of the FCC rules. These limits are designed to provide reasonable protection against harmful interference in a residential environment. This equipment generates, uses, and can radiate radio frequency energy, and if not installed and used in accordance with the instruction manual, may cause harmful interference to radio communications. However, there is no guarantee that interference will not occur in a particular installation. If this equipment does cause harmful interference to radio or television reception, which can be determined by turning the equipment off and on, the user is encouraged to try and correct the interference by one or more of the following measures:

- Reorient or relocate the receiving antenna.*
- Increase the separation between the equipment and receiver.*
- Connect the equipment into an outlet on a circuit different from that to which the receiver is connected.*
- Consult the dealer or an experienced radio/TV technician for help.*

To comply with the FCC's RF exposure limits for general population / uncontrolled exposure, this transmitter must be installed to provide a separation distance of at least 20 cm from all persons and must not be co-located or operating in conjunction with any other antenna or transmitter.

CAUTION: Changes or modifications to this equipment not expressly approved by RAB Lighting may void the user's authority to operate this equipment.

Welcome



Lightcloud®

Luminaire Controller

LCLC3/D10

WE'RE HERE TO HELP:

1 (844) LIGHTCLOUD

1 (844) 544-4825

support@lightcloud.com

Hello

Lightcloud is a wireless lighting control system. The Lightcloud Luminaire Controller is a remotely controlled switching and dimming device that can be installed into luminaires.

Product Features

Wireless Control & Configuration

Switching up to 3A

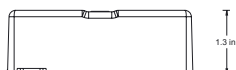
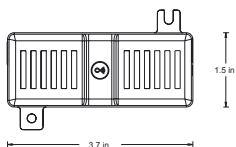
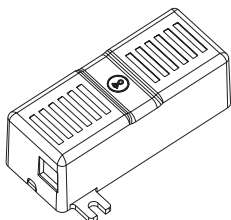
0-10V Dimming

Power Monitoring

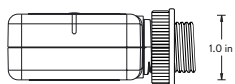
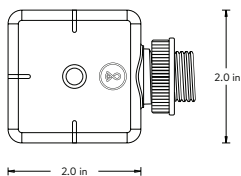
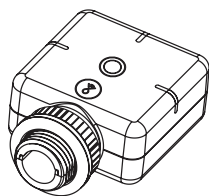
Patent Pending

Contents

Actuator Module, P/N 24586



Radio Module, P/N 24572



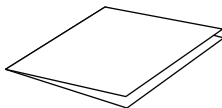
Wire Nuts



Gasket



Instruction Manual



Specifications & Ratings

PART NUMBER

LCLC3/D10

INPUT

120/277VAC, 50/60Hz

CURRENT DRAW

<0.6W(Standby)-1W(Active)

LOAD SWITCHING CAPACITY

LED, CFL, Tungsten 120/277VAC 500W;
Magnetic 120VAC 264VA, 277VAC 500VA;
Resistive/Inductive 120VAC 500W

OPERATING TEMPERATURE:

-40°C to +50°C max temp

ACTUATOR MODULE OVERALL DIMENSIONS:

3.7" x 1.5" x 1.3"

RADIO MODULE OVERALL DIMENSIONS:

2" x 2" x 1"

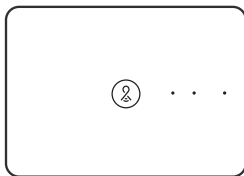
WIRELESS RANGE

Line-of-Sight: 700 feet Obstructions: 70 feet

INDOOR USE ONLY

DAMP LOCATION

What You Need



Lightcloud Gateway

A Lightcloud installation requires at least one Lightcloud Gateway to manage your devices.

WE'RE HERE TO HELP:

1 (844) LIGHTCLOUD

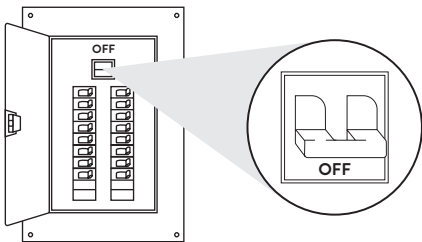
1 (844) 544-4825

support@lightcloud.com

Setup & Installation

1 Turn off power

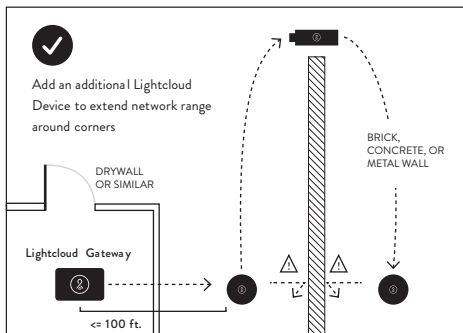
⚠ WARNING



1a Find a Suitable Location

Use these guidelines when installing devices:

- If there is a clear line of sight between a Luminaire Controller and another Lightcloud device they can be placed up to 700 feet apart.
- If a Luminaire Controller and another Lightcloud device are separated by ordinary drywall construction, try to keep them within 70 ft. of each other.
- Brick, concrete and steel construction may require additional Lightcloud devices to go around the obstruction.



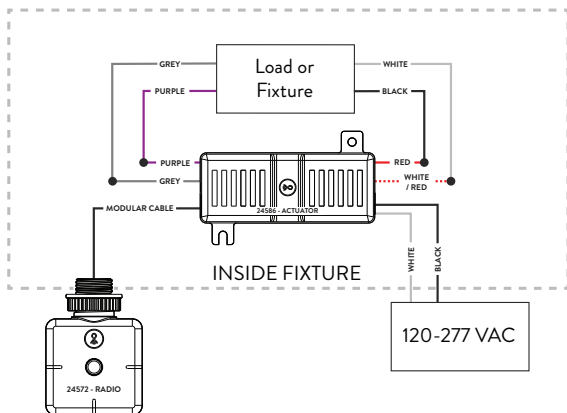
Setup & Installation (cont'd)

② Install the Luminaire Controller

For luminaires pre-installed with the Luminaire Controller, skip to Step 3.

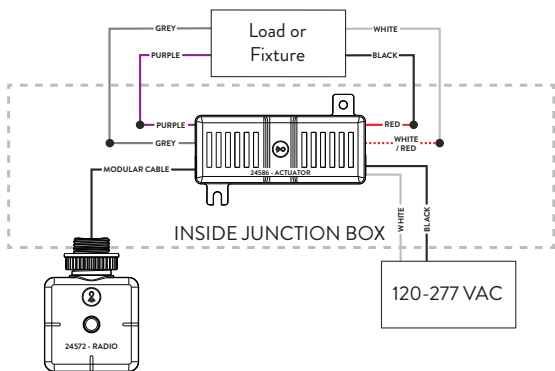
2a Fixture Installation with Actuator Module Inside

If the interior of your luminaire can accommodate the dimensions of the actuator module, install the actuator module inside the housing, and attach the radio module to the outside of the housing via a knockout.



2b Installation with Junction Box

If the interior of your luminaire cannot accommodate the actuator module, the Luminaire Controller can be mounted into a junction box, with the radio module always outside any metal enclosure.



3 Install Luminaire

Install the luminaire with integrated Luminaire Controller as normal, allowing for any room to accommodate the external radio module of the LCLC3/D10.

Setup & Installation (cont'd)

④ Labeling your device

When installing devices, it's important to keep track of their Device IDs, installation locations, panel/circuit #s, dimming function, and any additional notes. To organize this information, use the Lightcloud Installer Application (A) or Device Table (B).

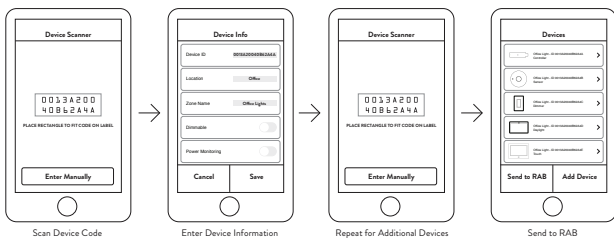
4a Lightcloud Installer Application

Install the LC Installer Application:

LC Installer is available for iOS and Android.

Scan & Install Lightcloud Devices:

Scan each device and assign to a room. It's recommended that each device is scanned just before or just after being wired so no devices are missed. The more notes that are given, the easier it is to commission the system.



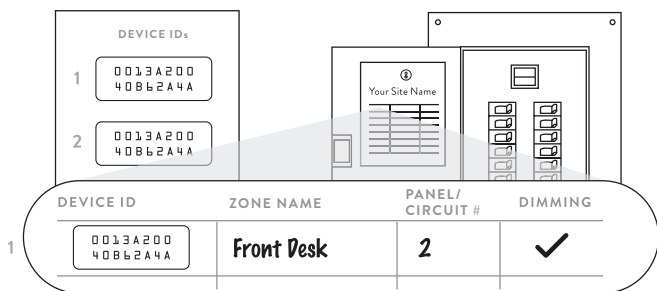
Send to RAB:

Once all of the devices have been added and organized, submit the information for commissioning.

Setup & Installation (cont'd)

4b Device Table

Two Lightcloud Device Tables are provided with each Gateway: one that you can attach to your panel and one to hand off to a building manager. Attach the Device Identification stickers included with each device to a row, then write in additional information, such as Zone name, Panel/Circuit Number, and whether or not a Zone uses dimming.

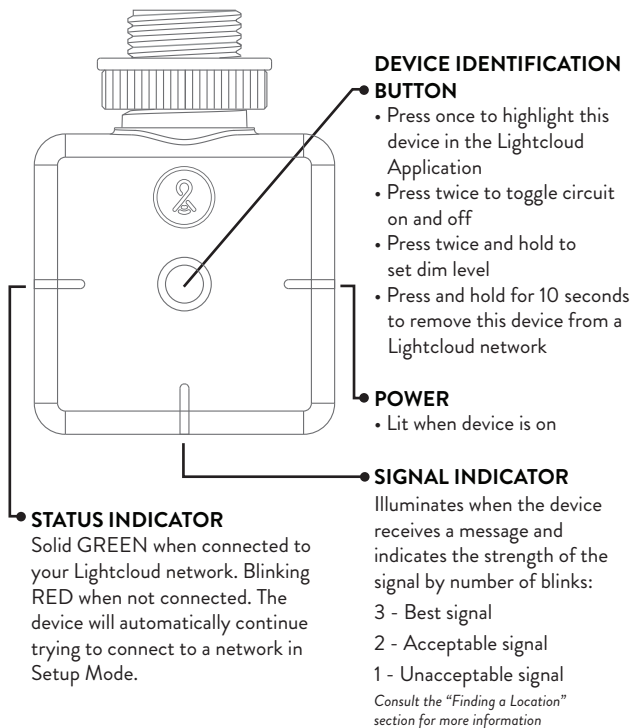


5 Power up

To add devices to your Lightcloud network, call RAB at 1 (844) LIGHTCLOUD, or email us at support@lightcloud.com

6 Confirm device connectivity

Confirm Status Indicator is Solid Green (see details below)



7 Commission your devices

Log on to www.lightcloud.com or call 1 (844) LIGHTCLOUD

Functionality

Configuration

All configuration of Lightcloud products may be performed using the Lightcloud web Application, or by calling RAB.

WE'RE HERE TO HELP:

1 (844) LIGHTCLOUD

1 (844) 544-4825

support@lightcloud.com

Power Measurement

The Lightcloud Luminaire Controller is capable of measuring the power usage of the attached luminaire. In order to utilize this function, the neutral wire of the load must be connected to the white-red neutral wire. If the white-red neutral line cannot be used, it should be tied to the regular neutral wires (i.e. all neutral wires joined).

Power Loss Detection

If mains power to the Controller is lost, the device will detect this and alert the Lightcloud Application.

Emergency Default

If communication is lost, the Controller may optionally fall back to a specific state, such as turning the attached luminaire on.

[Warning: Any wires not in use must be capped off or otherwise insulated.]

FCC Information:

This device complies with Part 15 of the FCC Rules. Operation is subject to the following two conditions: 1. This device may not cause harmful interference, and 2. This device must accept any interference received, including interference that may cause undesired operation.

Note: This device has been tested and found to comply with the limits for Class B digital devices pursuant to Part 15 Subpart B, of the FCC rules. These limits are designed to provide reasonable protection against harmful interference in a residential environment. This equipment generates, uses, and can radiate radio frequency energy, and if not installed and used in accordance with the instruction manual, may cause harmful interference to radio communications. However, there is no guarantee that interference will not occur in a particular installation. If this equipment does cause harmful interference to radio or television reception, which can be determined by turning the equipment of and on, the user is encouraged to try and correct the interference by one or more of the following measures:

- Reorient or relocate the receiving antenna.
- Increase the separation between the equipment and receiver.
- Connect the equipment into an outlet on a circuit different from that to which the receiver is connected.
- Consult the dealer or an experienced radio/TV technician for help.

To comply with the FCC's RF exposure limits for general population / uncontrolled exposure, this transmitter must be installed to provide a separation distance of at least 20 cm from all persons and must not be co-located or operating in conjunction with any other antenna or transmitter.

CAUTION: Changes or modifications to this equipment not expressly approved by RAB Lighting may void the user's authority to operate this equipment.



It's powerful and
flexible, yet easy to use
and install. Learn more at
lightcloud.com

1 (844) LIGHTCLOUD

1 (844) 544-4825

support@lightcloud.com

RAB | Controls

Custom manufactured in China

© RAB Lighting, Inc

170 Ludlow Avenue Northvale, NJ 07647



Lightcloud is a commercial wireless lighting control system & service. It's powerful and flexible, yet easy to use and install. Learn more at lightcloud.com

1 (844) LIGHTCLOUD

1 (844) 544-4825

support@lightcloud.com

RAB[®]

Custom manufactured in China

© RAB Lighting, Inc

170 Ludlow Avenue Northvale, NJ 07647

Welcome



Lightcloud[™]
Sensor

LCSENSE15/D10 (Ceiling Sensor)

LCHBSENSE15/D10 (High Bay Sensor)

WE'RE HERE TO HELP:

1 (844) LIGHTCLOUD

1 (844) 544-4825

support@lightcloud.com

Hello

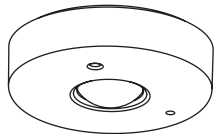
Lightcloud is a wireless lighting control service. The Lightcloud Sensor is a remotely configurable passive infrared motion sensor that can switch and dim both hardwired circuits and remote circuits using Lightcloud Controllers.

Product Features

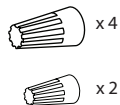
- Advanced PIR Sensing
- Secure Cloud Control & Configuration
- Retrofit-Friendly Local Control
- Scheduling & Astronomical Clock
- Temperature Monitoring
- Light Sensor
- Power Monitoring
- 0-10V Dimming
- Patent Pending

Contents

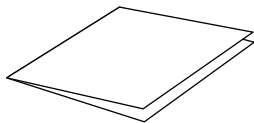
Lightcloud Ceiling Sensor
or High Bay Sensor



Wire Nuts



Instruction Manual



Accessories

For use with High Bay Sensor Only

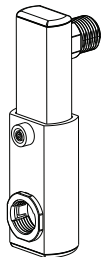
Lens Cover for 180°
Coverage (included)



Arm (optional, includes
2 screws and 1 locknut)



Height Adjuster
(optional, must use in
conjunction with Arm)



Specifications

Indoor Damp Location

PART NUMBER

LCSense15/D10 (Ceiling)
LCHBSense15/D10 (High Bay)

INPUT

120-277VAC, 50/60Hz,
<1W (Standby) - 2W (Active)

MAXIMUM SWITCHED LOAD RATINGS

Electronic Ballast: 277VAC, 3300W
Magnetic Ballast: 277VAC, 1200W / 120VAC, 800W
Tungsten: 220VAC, 3000W
Dimming: 0-10V (Class2)

OPERATING HUMIDITY

10% RH to 95% RH
Non-Condensing

OPERATING TEMPERATURE

-20°C to 40°C

OVERALL DIMENSIONS

4.91" Diameter, 1.61" Height

WIRELESS RANGE

Line-of-Sight: 1000 feet
Obstructions: 100 feet

Warranty is active as long as service plan is active.

What You Need



Lightcloud Gateway

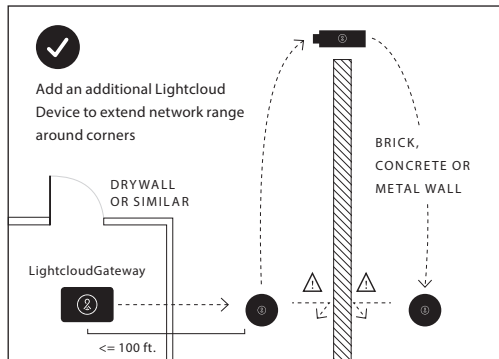
A Lightcloud installation requires
at least one Lightcloud Gateway to
manage your devices.

Setup & Installation

① Find a suitable location

Use these guidelines when installing devices:

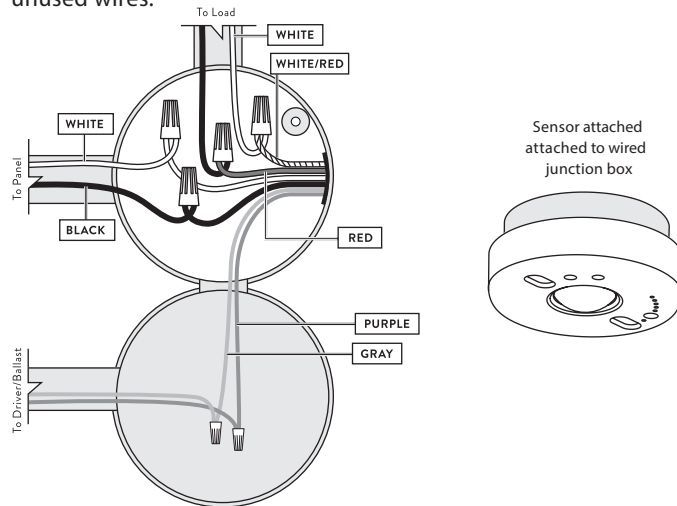
- If there is a clear line of sight between two Lightcloud devices, they can be placed up to 1000 feet apart.
- If the two devices are separated by ordinary drywall construction, try to keep them within 100 feet of each other.
- Brick, concrete and steel construction may require additional Lightcloud devices to go around the obstruction.



② Install your Lightcloud Sensor

INSTALL AT A JUNCTION BOX (INDOOR/OUTDOOR)

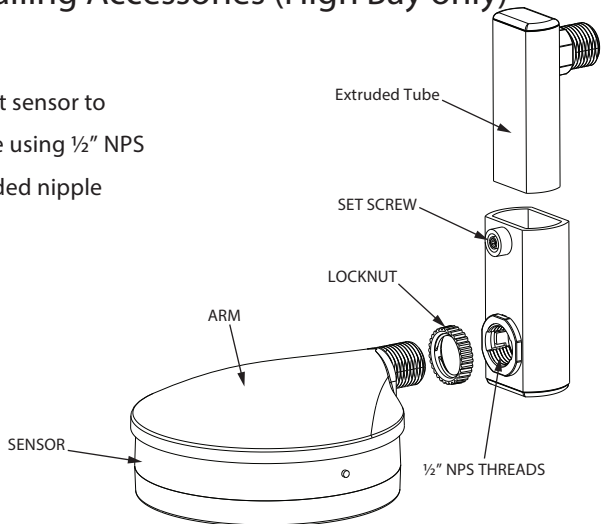
The Sensor can control other Lightcloud devices, wirelessly. If you don't need to hard-wire a switched circuit to the Sensor, no problem—just tie the white/red wire to neutral and cap off any unused wires.



Setup & Installation (cont'd)

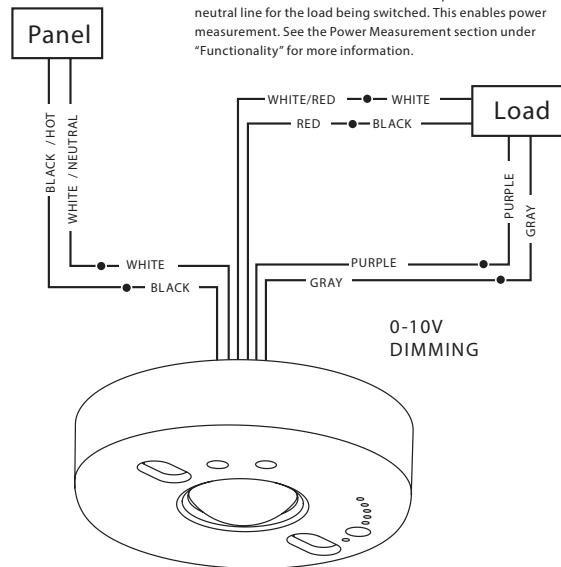
③ Installing Accessories (High Bay only)

Arm:
mount sensor to
fixture using ½" NPS
threaded nipple



Height Adjuster:
adjust height by loosening set screw, moving sensor up or down along extruded tube, then tightening set screw. Ensure sensor lens is not blocked by any part of the fixture.

④ Wiring



SWITCHED NEUTRAL

The "Switched Neutral" white with red stripe wire is the neutral line for the load being switched. This enables power measurement. See the Power Measurement section under "Functionality" for more information.

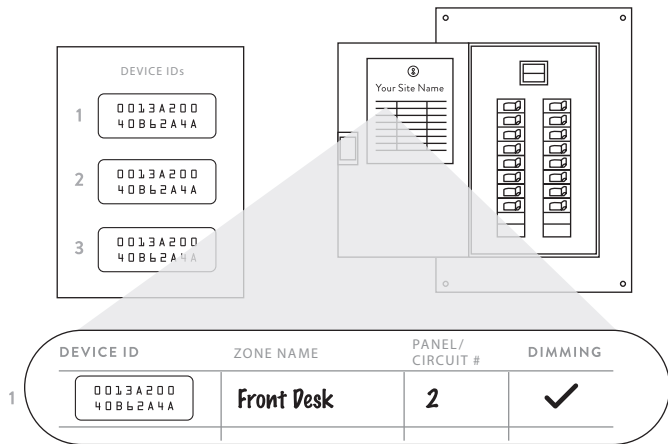


Any wires not in use must be capped off or otherwise insulated.

This product should only be installed by a qualified electrician and in compliance with local and national electrical codes.

Setup & Installation (cont'd)

⑤ Labeling your device



For setup and maintenance, we provide two Lightcloud Device Tables with the Gateway: one that you can attach to your panel and one to hand off to a building manager. Attach the Device Identification stickers included with each device to a row, then write in additional information, such as Zone name, Panel/Circuit Number, and whether or not a zone uses dimming.

⑥ Power up

To add new devices to your Lightcloud network, contact RAB:

WE'RE HERE TO HELP:

1 (844) LIGHTCLOUD

or 1 (844) 544-4825

support@lightcloud.com

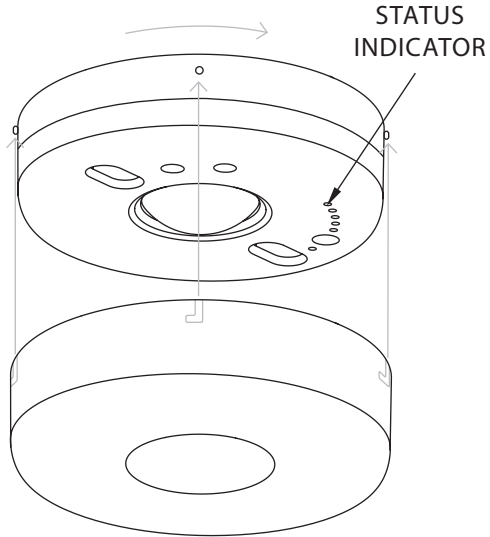
⑦ Confirm device connectivity

Confirm status indicator LED (see step 8) is solid green. If it is not, make sure your device is within range of another Lightcloud AC-powered device.

Setup & Installation (cont'd)

⑧ Place cover

Secure cover onto sensor by pushing up and twisting to the right (clockwise).



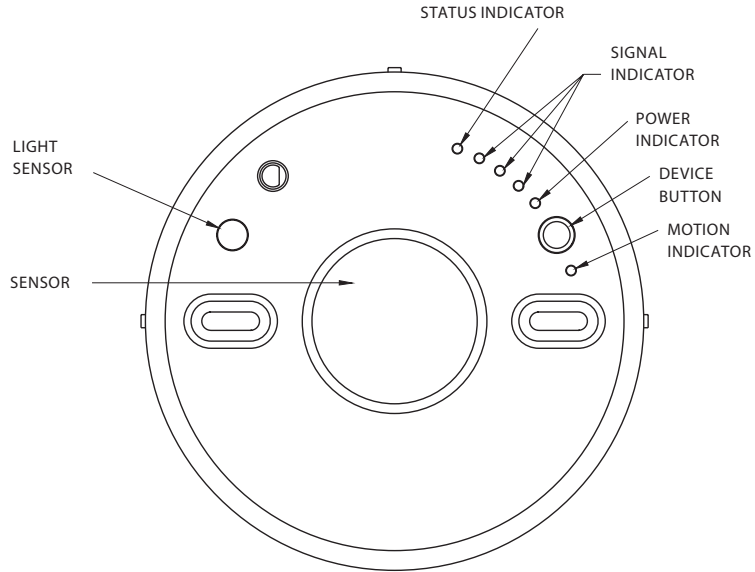
⑨ Commission & Configure Your Devices

All Lightcloud products can be commissioned and configured by:

- Logging on to lightcloud.com
- Calling RAB at 1 (844) LIGHTCLOUD
- Emailing us at support@lightcloud.com

Functionality

Overview



STATUS INDICATOR:

- Solid GREEN when connected to your Lightcloud network
- Blinking RED when not connected to a Lightcloud network. The device will automatically continue trying to connect to a network that is in Setup Mode.

POWER INDICATOR:

Illuminated when powered. Blinking when indicated from the Lightcloud application.

SIGNAL INDICATOR:

After the Device Button has been pressed, this indicator illuminates when the device receives a message and indicates the strength of the signal.

3 - Best Signal

2 - Acceptable Signal

1 - Unacceptable Signal

Consult the "Finding a Location" section for more information.

DEVICE BUTTON:

- Press once to highlight this device in the Lightcloud Application (pressing once also enables display of the Signal Indicators)
- Press twice to toggle circuit on and off
- Press twice and hold to set dim level
- Press and hold for 10 seconds to remove this device from a Lightcloud network

MOTION INDICATOR:

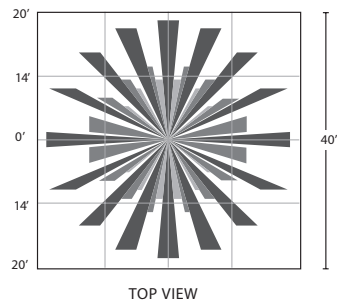
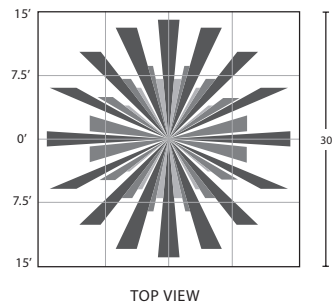
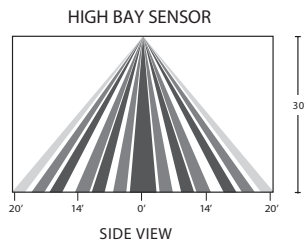
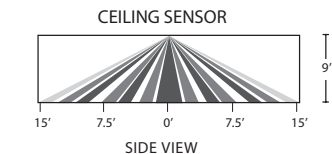
Illuminates when motion is detected

SENSOR:

Passive-infrared motion sensor

Functionality (cont'd)

Features: Passive Infrared Motion Detection



Features

OCCUPANCY & VACANCY SENSING:

The Lightcloud Sensor can operate in either Occupancy or Vacancy Sensor modes, selectable via the Lightcloud application. In Occupancy mode, the attached circuit will be switched on when motion is detected, and off (or dimmed) when the timeout expires. In Vacancy mode, the attached circuit will be turned off when the motion timeout expires, but will only be turned on via the Lightcloud application, Lightcloud Wall Switch, or similar. Motion detection and timeout can still be used via Lightcloud Automations to control other devices.

CONTROLLER MODE:

In Controller Mode, the attached circuit is controllable as an independent zone in the Lightcloud application. Motion detection and timeout can still be used via Lightcloud Automations to control other devices.

RANGE TEST MODE:

When Range Test Mode is activated via the Lightcloud application, the timeout period is shortened so that you can test different sensitivities quickly. All indicators will go off except for the Motion Indicator. When satisfied, turn off Range Test Mode to continue normal operation.

Functionality (cont'd)

Features

0-10V DIMMING:

0-10V is a common method of low-voltage control of dimmable drivers and ballasts.

Purple: 0-10V positive | Gray: 0-10V common

Note: The National Electrical Code requires that low-voltage wiring used in the same enclosure as high voltage wiring have an equal or better insulation rating. You may need to complete your low-voltage wiring in another enclosure or use a partition.

DEVICE IDENTIFICATION:

For help with installation, there are two ways to identify this device:

- Pressing the Device Button on the actual product will produce a message in the Lightcloud application indicating which device you are working with.
- Pressing the “Indicate” button in the Lightcloud application will cause the device’s Status Indicator to blink green. This will also switch the device’s relay on and off repeatedly, allowing you to quickly identify which circuit it is.

POWER MEASUREMENT:

The Lightcloud Sensor is capable of measuring the power usage of the attached circuit. In order to utilize this function, the neutral wire of the load must be connected to the white-red switched neutral wire. If this wire is not used, it should be tied to the regular neutral wire (i.e. all neutral wires joined).

POWER LOSS DETECTION:

If power to the Sensor is lost, the device will detect this and alert the Lightcloud application.

EMERGENCY DEFAULT:

If communication is lost, the Sensor may optionally fall back to a specific state, such as turning the attached circuit on. This may be configured via the Lightcloud application or by calling RAB.

FCC Information:

This device complies with Part 15 of the FCC Rules. Operation is subject to the following two conditions:

1. This device may not cause harmful interference, and
2. This device must accept any interference received, including interference that may cause undesired operation.

Note: This device has been tested and found to comply with the limits for Class B digital devices pursuant to Part 15 Subpart B, of the FCC rules. These limits are designed to provide reasonable protection against harmful interference in a residential environment. This equipment generates, uses, and can radiate radio frequency energy, and if not installed and used in accordance with the instructions in the manual, may cause harmful interference to radio communications. However, there is no guarantee that interference will not occur in a particular installation. If this equipment does cause harmful interference to radio or television reception, which can be determined by turning the equipment off and on, the user is encouraged to try and correct the interference by one or more of the following measures:

- Reorient or relocate the receiving antenna.
- Increase the separation between the equipment and receiver.
- Connect the equipment into an outlet on a circuit different from that to which the receiver is connected.
- Consult the dealer or an experienced radio/TV technician for help.

To comply with the FCC’s RF exposure limits for general population / uncontrolled exposure, this transmitter must be installed to provide a separation distance of at least 20 cm from all persons and must not be co-located or operating in conjunction with any other antenna or transmitter.

CAUTION: Changes or modifications to this equipment not expressly approved by RAB Lighting may void the user’s authority to operate this equipment.

Welcome



Lightcloud™ Touch

LCTOUCH10

WE'RE HERE TO HELP:

1 (844) LIGHTCLOUD

1 (844) 544-4825

support@lightcloud.com

Hello

Lightcloud is a wireless lighting control service. The Lightcloud Touch is a wall-mounted 10" touchscreen tablet that gives users a convenient and customizable interface for controlling a Lightcloud site.

Product Features

AC-powered for permanent installation

Customizable zone and scene control

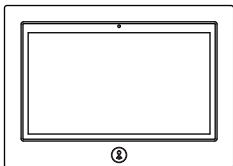
Direct local control for minimum latency

Easy setup from your computer or mobile device—or just call RAB

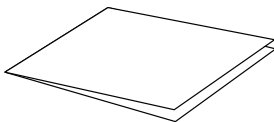
Patent Pending

Contents

Lightcloud Touch



Instruction Manual



Six #6-18 x 1" Drywall Screws



Specifications

PART NUMBER

LCTOUCH10

INPUT

120VAC, 0.3-0.15A, 50/60Hz

OPERATING TEMPERATURE

0°C to 40°C

MAXIMUM RELATIVE HUMIDITY

90%

OVERALL DIMENSIONS

11" x 7.8" x 2.3"

WIRELESS RANGE

Line of Sight 1000 feet

Obstructions 100 feet

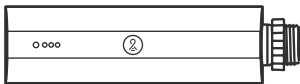
Indoor Rated.

What You Need



Lightcloud Gateway

A Lightcloud installation requires at least one Lightcloud Gateway to manage your devices.



Lightcloud Controller

(Or similar Lightcloud actuation device)

WE'RE HERE TO HELP:

1 (844) LIGHTCLOUD

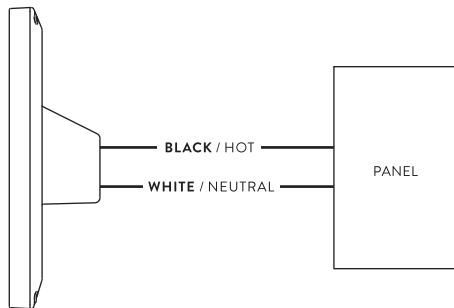
1 (844) 544-4825

support@lightcloud.com

Finding a Suitable Location

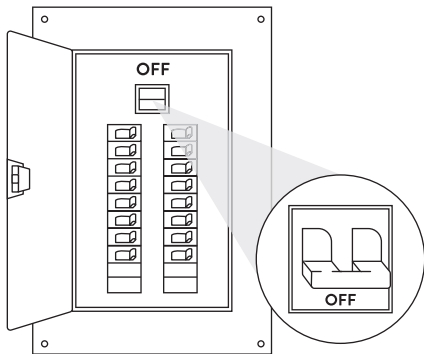
Lightcloud uses a wireless mesh network to connect devices such as the Dimmer to the Gateway. Unlike a WiFi router, each Lightcloud device may connect another device to the network. If there is a clear line of sight between two Lightcloud devices, they can be placed up to 1000 feet apart. If the two devices are separated by ordinary drywall construction, try to keep them within 100 feet of each other. Brick, concrete and steel construction may require additional AC-powered Lightcloud devices to go around the obstruction. See the Deployment section of your Gateway for more information.

Wiring



Setup & Installation

① Turn off power ⚠ WARNING



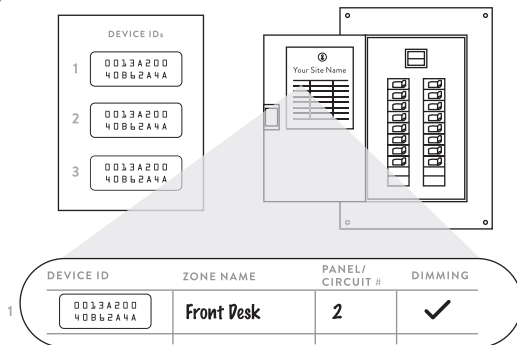
② Install the Touch

- a. Choose a junction box at which to install the Touch, keeping in mind the guidelines from "Finding a Suitable Location".
- b. Affix the bracket to the wall using the six #6-18 x 1" screws included.
- c. Connect hot and neutral wires to the wires on the back of the Touch as shown in the "Wiring" section.
- d. Hang the touch from the bracket.
- e. Tighten bracket screws on bottom surface of device.

Setup & Installation (cont'd)

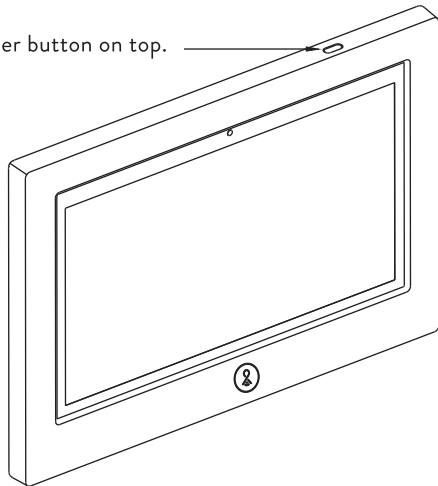
③ Labeling your device

For setup and maintenance, we provide two Lightcloud Device Tables with the Gateway: one that you can attach to your panel and one to hand off to a building manager. Attach the Device Identification stickers included with each device to a row, then write in additional information, such as Zone name, Panel/Circuit Number, and whether or not a zone uses dimming.



④ Enabling your device

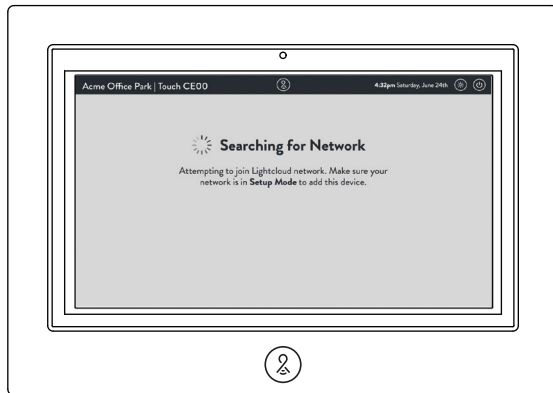
- ④a Turn the Touch on by holding the power button on top.



Setup & Installation (cont'd)

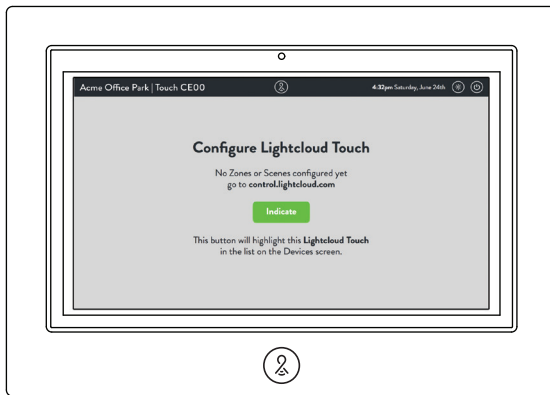
④ Enabling your device (cont'd)

- 4b Call RAB at 1 (844) LIGHTCLOUD, or email us at support@lightcloud.com, to add the Touch to your Lightcloud network.



4c

Once the Touch has joined your network, you'll see the screen below.



Functionality

Configure

All Lightcloud products can be commissioned and configured by:

- Logging on to lightcloud.com
- Calling RAB at 1 (844) LIGHTCLOUD
- Emailing us at support@lightcloud.com

① **Configuring the Touch by calling or emailing RAB**

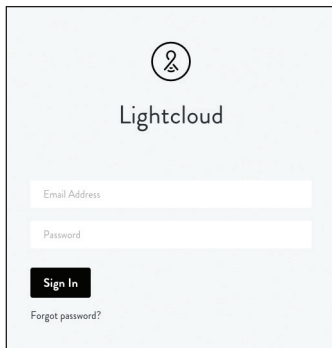
1 (844) LIGHTCLOUD

1 (844) 544-4825

support@lightcloud.com

② Configuring the Touch using the web/mobile application

②a Navigate to <https://control.lightcloud.com> and log in.

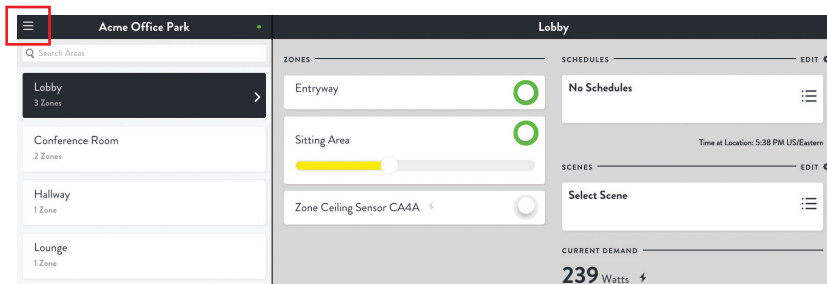


The image shows a login screen for Lightcloud. At the top center is a circular icon containing a stylized person symbol. Below the icon is the text "Lightcloud". There are two input fields: "Email Address" and "Password". Below the "Password" field is a black "Sign In" button. At the bottom left, there is a link that says "Forgot password?".

Functionality (cont'd)

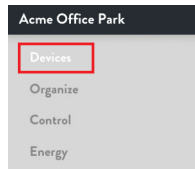
② Configuring the Touch using the web/mobile application (cont'd)

2b Click the  menu icon in the top left.

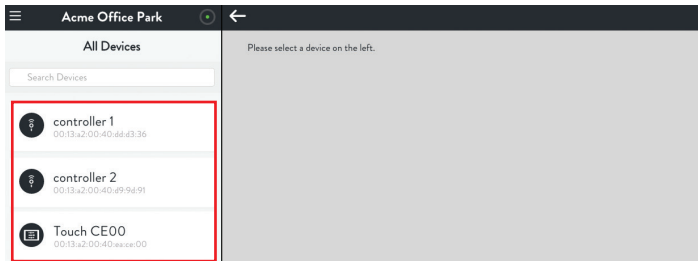


The screenshot displays a web/mobile application interface for 'Acme Office Park'. The top navigation bar shows the location name and a menu icon (three horizontal lines) which is highlighted with a red box. Below the navigation bar, there is a search bar labeled 'Search Areas'. A list of areas is shown on the left, with 'Lobby' (3 Zones) selected and highlighted in dark grey. Other areas include 'Conference Room' (2 Zones), 'Hallway' (1 Zone), and 'Lounge' (1 Zone). The main content area is titled 'Lobby' and is divided into two columns. The left column, labeled 'ZONES', contains 'Entryway' and 'Sitting Area', both with green status indicators and a yellow progress bar. Below these is a 'Zone Ceiling Sensor CA4A' with a grey status indicator. The right column, labeled 'SCHEDULES', shows 'No Schedules' with a menu icon and an 'EDIT' button. Below this is a timestamp 'Time at Location: 5:38 PM US/Eastern'. The bottom section, labeled 'SCENES', has a 'Select Scene' button with a menu icon and an 'EDIT' button. At the bottom right, the 'CURRENT DEMAND' is shown as '239 Watts' with a lightning bolt icon.

2c Navigate to your Site, then click Devices.



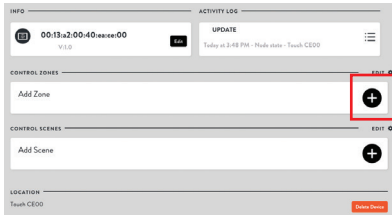
2d Find your Touch device in the Device List on the left



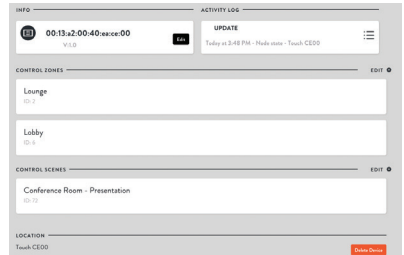
Functionality (cont'd)

② Configuring the Touch using the web/mobile application (cont'd)

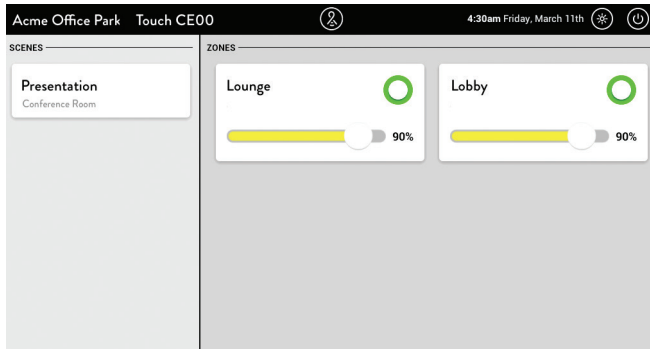
- 2e Click the icon to add zone and/or scene controls to your Touch.



In this example, we've configured our Touch to control two zones and one scene:



2f Within a few seconds, the tablet UI refreshes to reflect our changes.



FCC Information:

This equipment has been tested and found to comply with the limits for a Class A digital device, pursuant to part 15 of the FCC Rules. These limits are designed to provide reasonable protection against harmful interference when the equipment is operated in a commercial environment. This equipment generates, uses, and can radiate radio frequency energy and, if not installed and used in accordance with the instruction manual, may cause harmful interference to radio communications. Operation of this equipment in a residential area is likely to cause harmful interference in which case the user will be required to correct the interference at his own expense.

These limits are designed to provide reasonable protection against harmful interference in a non-residential installation. However, there is no guarantee that interference will not occur in a particular installation. If this equipment does cause harmful interference with radio or television reception, which can be determined by turning the equipment off and on, you are encouraged to try to correct the interference by one or more of the following measures:

- Reorient or relocate the antenna.*
- Increase the separation between this equipment and receiver.*
- Connect the equipment into an outlet on a circuit different from that to which the receiver is connected.*
- Consult the dealer or an experienced radio/TV technician for help.*

To comply with FCC RF exposure limits for general population/uncontrolled exposure, this transmitter must be installed to provide a separation distance of at least 20cm from all persons and must not be co-located or operating in conjunction with any other antenna or transmitter.

CAUTION: *Changes or modifications to this equipment not expressly approved by RAB Lighting, Inc. may void the user's authority to operate this equipment.*



Lightcloud is a commercial wireless lighting control system & service. It's powerful and flexible, yet easy to use and install. Learn more at lightcloud.com

1 (844) LIGHTCLOUD

1 (844) 544-4825

support@lightcloud.com

RAB[®]

© RAB Lighting, Inc

170 Ludlow Avenue Northvale, NJ 07647

Custom manufactured in China