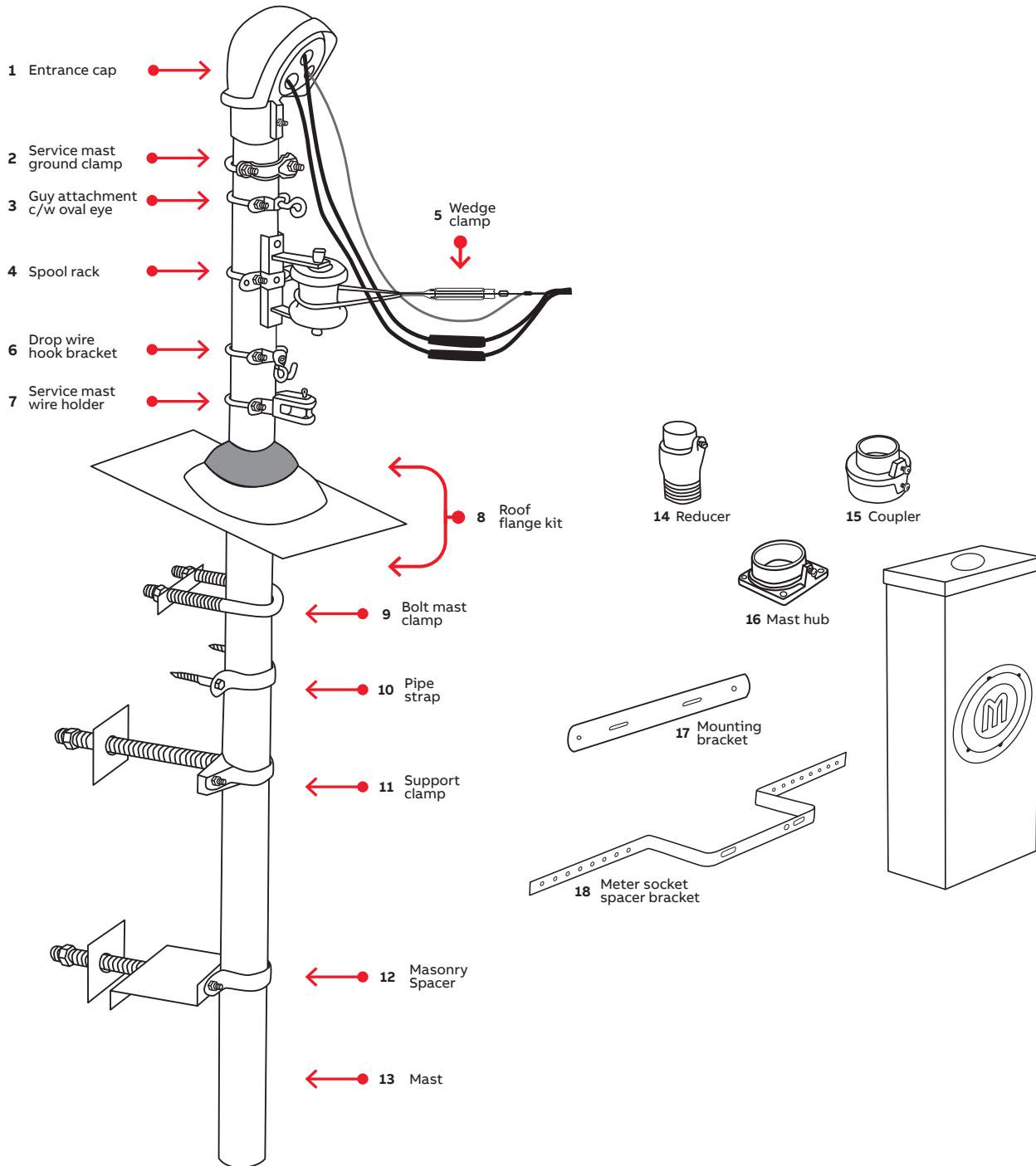


## Service masts

### Service entrance masts and accessories



## Service masts

### Service entrance masts and accessories

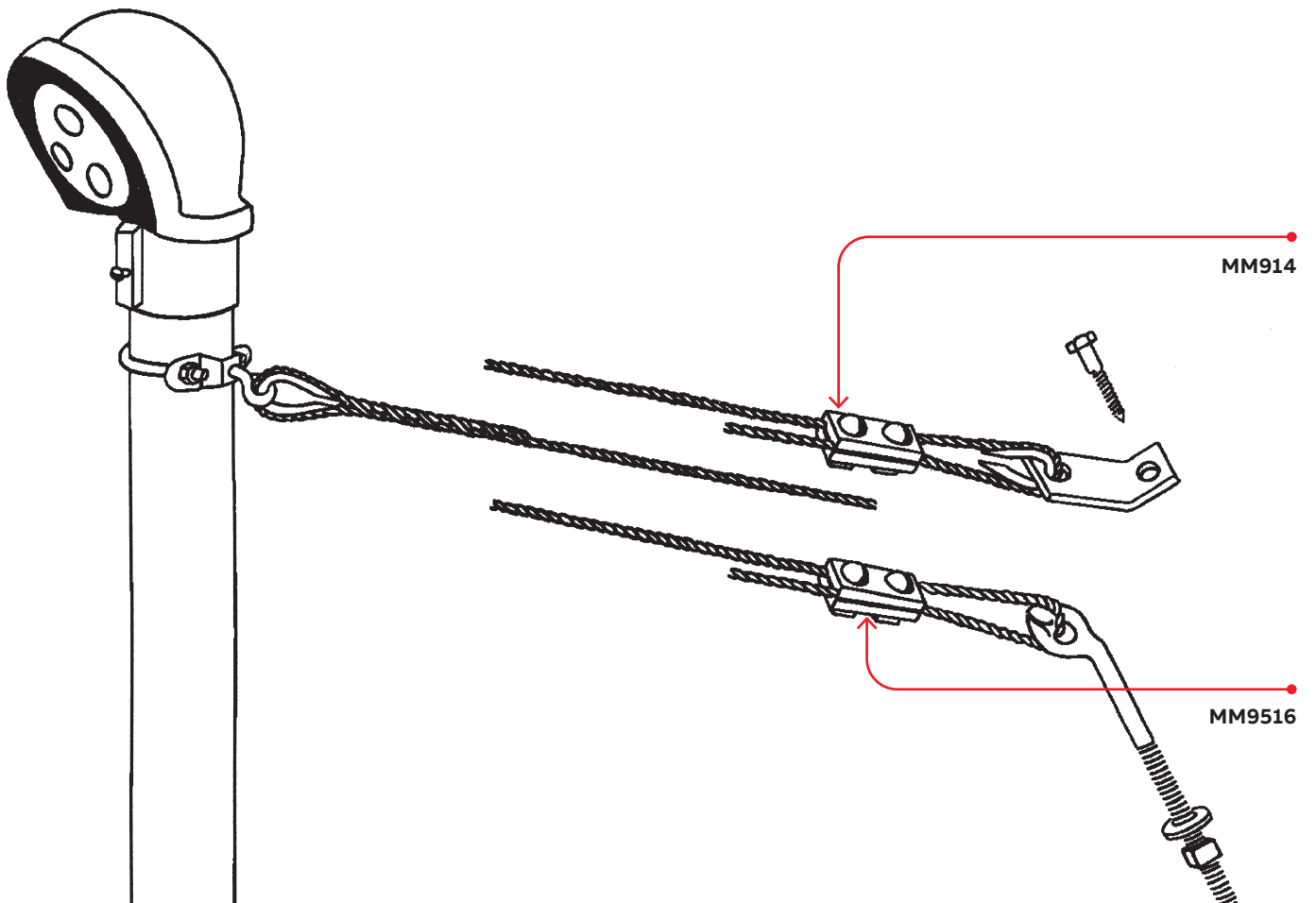
Ref. No.	Steel	PVC	Description
1	MM104		100A - 1 1/4" Entrance cap for 2 1/2" mast
		E998G	100A - 1 1/4" Entrance cap
		E998H	100A - 1 1/2" Entrance cap
	MM105		150A/200A - 1 1/2" Entrance cap for 2 1/2" mast
	MM202		200A - 2" Entrance cap for 2 1/2" mast
	MM202P		200A - 2" Entrance cap for old style 2 3/4" mast
		E998J	200A - 2" Entrance cap
		E998K-UPC	200A - 2 1/2" Entrance cap
		E998L	320A - 3" Entrance cap
		E998N	320A/400A - 4" Entrance cap
	CIEFA-4	400A - 4" Entrance cap for 4" rigid conduit	
2	MM700		Service mast ground clamp, wire range: 8-1/0 AWG
3	MM380		Guy attachment c/w oval eye
4	MM101		100A - Light duty spool rack
	MM5101		100A - Light duty spool rack (Alberta only)
	MM201		200A - Heavy duty spool rack
	MM801		400A - Heavy duty spool rack, fits 3" and 4" rigid conduit
	SS401-E		Wall mount spool Rack
5	W62-1		Wedge clamp 2 - 6 ACSR
	W20-1		Wedge clamp 1/0 - 4 ACSR
6	MM390		Drop wire hook bracket
7	MM300		Service mast wire holder
8	MM505N		Roof flange with neoprene collar for 2 1/2" mast
	MM5505N		Roof flange with neoprene collar for 1 1/4" conduit
	MM506N		Neoprene roof flange for 2 1/2" mast
	MM507DN		Neoprene double roof flange for 2 1/2" masts
	MM806N		Neoprene roof flange, for 4" rigid conduit
9	MM250		1/2" "U" for 2 1/2" mast
10	MM251		Mast strap c/w two 3/8" x 4" lag screws
	MM252		Mast strap without lag screws
		E977GC	1 1/4" conduit strap
		E997HC	1 1/2" conduit strap
		E977JC-4-HD	2" conduit strap
		E977K	2 1/2" conduit strap
		E977L	3" conduit strap
		E977N	4" conduit strap
11	MM400		Mast clamp with 5/8" x 10" threaded bolt and 4" x 4" square washer
	MM401		2 1/2" mast clamp without hardware
	MM445		2 1/2" mast clamp with 5/8" x 4 1/2" threaded bolt and 4" x 4" washer
	MM5400		2 1/2" mast clamp with 1/2" x 10" threaded bolt and 4" x 4" washer

Ref. No.	Steel	PVC	Description
12	MM600		2 1/2" mast clamp with 5 1/2" spacer, 5/8" x 4 1/2" threaded bolt and 4" x 4" washer
	MM602		Masonry 5 1/2" spacer without hardware
	MM602LD		Masonry 5 1/2" light duty spacer without hardware
	MM603		Mast clamp and masonry 5 1/2" spacer without hardware
13	MM8		8 ft. x 2-1/2" O.D. mast
	MM9CM		9 ft. x 2-1/2" O.D. mast
	MM10		10 ft. x 2-1/2" O.D. mast
		49009CC	10ft x 1 1/4" Conduit
		49010CC	10ft x 1 1/2" Conduit
		49011CC	10 ft. x 2" Conduit
		49012CC	10 ft. x 2 1/2" Conduit
		49013CC	10 ft x 3" Conduit
		49015CC	10ft x 4" Conduit
		MM12	
14	MM140		1 1/4" Female reducer
	MM140M		1 1/4" Male reducer
	MM150		1 1/2" Female reducer
	MM150M		1 1/2" Male reducer
	MM200M		2" Male Reducer
	MM200		2" Female reducer
	MM200P		2" Female reducer for old style 2-3/4" service masts
		E942J	2" Female adaptor
		E943G	1 1/4" Male terminal adaptor
		E943H	1 1/2" Male terminal adaptor
15	MC250		2-1/2" One-piece mast coupler
	E940J		2" Conduit coupler
	E940K		2 1/2" Conduit coupler
	E995G		1 1/4" Offset
16	E991J		2" Meter hub
	MH200		2 1/2" Mast hub with set screw
	MH12X		1 1/4" Rigid conduit threaded hub
		E991G	1 1/4" Conduit hub
	MH15		1 1/2" Rigid conduit threaded mast hub
		E991H	1 1/2" Conduit hub
	MH20		2" Rigid conduit threaded hub
	MH30	E991L	3" Conduit hub
17	MH40		4" Rigid conduit threaded hub
	MM605		Meter socket mounting bracket
18	MM604		Masonry meter socket 4 7/8" spacer bracket

## Service Masts

Guy kits for 2½ in. masts

Cat. no.	Qty.	Consists of	Description
<b>¼ in. Guy kit</b>			
MM914	1	MM380	Mast guy attachment
	2	GT516	Guy thimbles
	1	GE14	Guy end
	1	GW14110	20 ft. of ¼ in. guy wire
	1	GC902	Guy clamp
	1	RB404	Roof bracket
	1	T404-CM	Lag screw
<b>⅝ in. Guy kit</b>			
MM9516	1	MM380	Mast guy attachment
	1	GT516	Guy thimble
	1	GE516	Guy end
	1	GW516110	20 ft. of ⅝ in. guy wire
	1	GC902	Guy clamp
	1	BTE512	⅝ in. x 12 in. Bent thimble eye bolt
	1	RA725	Round washer



## Service masts

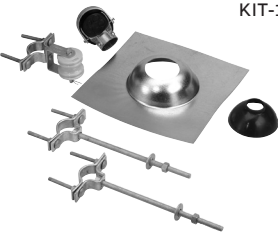
Mast kits suitable for British Columbia

Cat. No.	Qty.	Consists of	Description
KIT-100BCMh	1	MM104	Entrance cap
	1	MM101	Light-duty rack
	1	MM505N	Flange comes with neoprene collar
	3	MM250	"U" bolt clamp
	1	MH200	Mast coupler
KIT-100BCMn	1	MM104	Entrance cap
	1	MM101	Light-duty rack
	1	MM505N	Flange comes with neoprene collar
	3	MM250	"U" bolt clamp
MMK1-NMH	1	MM104	Entrance cap
	1	MM101	Light-duty rack
	1	MM505N	Flange comes with neoprene collar
	3	MM400	Support clamp
KIT-200BCMh	1	MM202	Entrance cap
	1	MM201	Heavy-duty rack
	1	MM505N	Flange comes with neoprene collar
	3	MM250	"U" bolt clamp
	1	MH200	Mast coupler
MMK2-NMH	1	MM202	Entrance cap
	1	MM201	Heavy-duty rack
	1	MM505N	Flange comes with neoprene collar
	3	MM400	Support clamp
	1	MH200	Mast coupler


## Service masts

Mast kits suitable for Alberta


### KIT-1 1/4 – 100 A

	Cat. no.	Qty.	Consists of	Description
<b>This mast kit is used in conjunction with 1¼ in. rigid conduit</b>				
	KIT-1 1/4	1	MM5104A	1¼ in. Throat entrance cap
		1	MM5101	Light-duty spool rack
		1	MM5505N	Roof flange complete with neoprene collar
		1	MM5400	Support clamp complete with ½ in. x 10 in. bolt

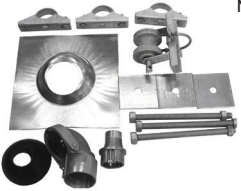
### KIT2-CM – 100 A

	Cat. no.	Qty.	Consists of	Description
<b>This mast kit is used in conjunction with 2 in. rigid conduit</b>				
	KIT2-CM	1	CIEFSA-2	2 in. Throat entrance cap
		1	MM5101	Light-duty spool rack
		1	MM505N	Roof flange complete with neoprene collar
		2	MM5400	Support clamp complete with ½ in. x 10 in. bolt
		1	MM5140	1¼ in. Bottom female reducer

### KIT-2-AL – 200 A

	Cat. no.	Qty.	Consists of	Description
	KIT-2-AL	1	MM202	Entrance cap
		1	MM5101	Light-duty spool rack
		1	MM505N	Roof flange complete with neoprene collar
		2	MM5400	Support clamp complete with ½ in. x 10 in. bolt
		1	MM200M	2 in. Reducer

### MB-110 – 100 A

	Cat. no.	Qty.	Consists of	Description
	MB-110	1	MM104	1¼ in. Entrance cap
		1	MM201	Heavy-duty spool rack
		1	MM505N	Roof flange complete with neoprene collar
		3	MM400	Support clamp complete with ¾ in. x 10 in. fully threaded bolt and 4 x 4 washer
		1	MM140	1¼ in. Female reducer

## Service masts

Mast kits suitable for Manitoba and Saskatchewan

Cat. no.	Qty.	Consists of	Description
KIT-100MJ	1	MM104	Entrance cap
	1	MM140M	1½ in. Reducer
	1	MM101	Light-duty rack
	1	MM505N	Flange complete with neoprene collar
	2	MM251	Strap complete with ¾ in. x 4 in. Lag bolt
	1	MM400	Support clamp
KIT-100MN	1	MM104	Entrance cap
	1	MM140M	1½ in. Reducer
	1	MM101	Light-duty rack
	1	MM505N	Flange complete with neoprene collar
	3	MM255	Strap complete with ¾ in. x 5 in. lag bolt
KIT-100MH	1	MM104	Entrance cap
	1	MM101	Light-duty rack
	1	MM505N	Flange complete with neoprene collar
	3	MM251	Strap complete with ¾ in. x 4 in. lag bolt
	1	MH200	Mast coupler
KIT-200AM	1	MM202	Entrance cap
	1	MM201	Heavy-duty rack
	1	MM200M	2 in. Male reducer
	1	MM505N	Flange complete with neoprene collar
	3	MM255	Strap complete with ¾ in. x 5 in. lag bolt
KIT-200MH	1	MM202	Entrance cap
	1	MM201	Heavy-duty rack
	1	MM505N	Flange complete with neoprene collar
	3	MM255	Strap complete with ¾ in. x 5 in. lag bolt
	1	MH200	Mast coupler
KIT-200MJ	1	MM202	Entrance cap
	1	MM200M	2 in. Male reducer
	1	MM201	Heavy-duty rack
	1	MM505N	Flange complete with neoprene collar
	1	MM251	Strap complete with ¾ in. x 4 in. lag bolt
	1	MM400	Support clamp
MMK2-NMH	1	MM202	Entrance cap
	1	MM201	Heavy-duty rack
	1	MM505N	Flange complete with neoprene collar
	3	MM400	Support clamp
	1	MH200	Mast coupler

## Service masts

Mast kits suitable for Ontario

Cat. no.	Qty.	Consists of	Description
KIT-100HDM	1	MM104	Entrance cap
	1	MM140M	1½ in. Male reducer
	1	MM201	Heavy-duty rack
	1	MM503	Flange complete with steel collar
	3	MM255	Strap complete with ¾ in. x 5 in. lag bolts
KIT-100MH	1	MM104	Entrance cap
	1	MM101	Light-duty rack
	1	MM505N	Flange complete with neoprene collar
	3	MM251	Strap complete with ¾ in. x 4 in. lag bolt
	1	MM200	Female reducer
KIT-100MN	1	MM104	Entrance cap
	1	MM140M	1½ in. Male reducer
	1	MM101	Light-duty rack
	1	MM505N	Flange complete with neoprene collar
	3	MM255	Strap complete with ¾ in. x 5 in. lag bolt
KIT-100NMH	1	MM104	Entrance cap
	1	MM101	Light-duty rack
	1	MM505N	Flange complete with neoprene collar
	1	MM400	Support clamp
	1	MM200	Female reducer
MMK1	1	MM104	Entrance cap
	1	MM101	Light-duty rack
	1	MM140M	1½ in. Male reducer
	1	MM503	Flange complete with steel collar
	3	MM400	Support clamp
MMK-1N	1	MM104	Entrance cap
	1	MM101	Light-duty rack
	1	MM505N	Flange complete with neoprene collar
	3	MM400	Support clamp
	1	MM140M	1½ in. Male reducer
MMK1-NMH	1	MM104	Entrance cap
	1	MM101	Light-duty rack
	1	MM505N	Flange complete with neoprene collar
	3	MM400	Support clamp
	1	MH200	Mast coupler
KIT-200MH	1	MM202	Entrance cap
	1	MM201	Heavy-duty rack
	1	MM200M	2 in. Male reducer
	1	MM505N	Flange complete with neoprene collar
	3	MM255	Strap complete with ¾ in. x 5 in. lag bolt

Cat. no.	Qty.	Consists of	Description
KIT-200AM	1	MM202	Entrance cap
	1	MM201	Heavy-duty rack
	1	MM505N	Flange complete with neoprene collar
	3	MM255	Strap complete with ¾ in. x 5 in. lag bolt
	1	MH200	Mast coupler
KIT-200NMH	1	MM202	Entrance cap
	1	MM201	Heavy-duty rack
	1	MM505N	Flange complete with neoprene collar
	3	MM400	Support clamp
	1	MM200	Female reducer
MMK2	1	MM202	Entrance cap
	1	MM201	Heavy-duty rack
	1	MM200M	2 in. Male reducer
	1	MM503	Flange complete with steel collar
	3	MM400	Support clamp
MMK-2N	1	MM202	Entrance cap
	1	MM201	Heavy-duty rack
	1	MM505N	Flange complete with neoprene collar
	3	MM400	Support clamp
	1	MM200M	2 in. Male reducer
MMK2-NMH	1	MM202	Entrance cap
	1	MM201	Heavy-duty rack
	1	MM505N	Flange complete with neoprene collar
	3	MM400	Support clamp
	1	MH200	Mast coupler

## Service masts

Mast kits suitable for Quebec

Cat. no.	Qty.	Consists of	Description
KIT-100MN	1	MM104	Entrance cap
	1	MM140M	1¼ in. Male reducer
	1	MM101	Light-duty rack
	1	MM505N	Flange complete with neoprene collar
	3	MM255	Strap complete with ¾ in. x 5 in. lag bolts
KIT-100MH	1	MM104	Entrance cap
	1	MM101	Light-duty rack
	1	MM505N	Flange complete with neoprene collar
	3	MM251	Strap complete with ¾ in. x 4 in. lag bolts
	1	MH200	Mast coupler
KIT-100MNF	1	MM104	Entrance cap
	1	MM140M	1¼ in. Male reducer
	1	MM101	Light-duty rack
	3	MM251	Strap complete with ¾ in. x 4 in. lag bolts
KIT-150AM	1	MM105	1½ in. entrance cap
	1	MM201	Heavy-duty rack
	1	MM505N	Flange complete with neoprene collar
	3	MM251	Strap complete with ¾ in. x 4 in. lag bolts
	1	MM150M	1½ in. Male adaptor
KIT-200AM	1	MM202	Entrance cap
	1	MM201	Heavy-duty rack
	1	MM200M	2 in. Male reducer
	1	MM505N	Flange complete with neoprene collar
	3	MM255	Strap complete with ¾ in. x 5 in. lag bolts
KIT-200AMGR	1	MM202	Entrance cap
	1	MM201	Heavy-duty rack
	1	MM200M	2 in. Male reducer
	1	MM505N	Flange complete with neoprene collar
	3	MM255	Strap complete with ¾ in. x 5 in. lag bolts
	1	MM700	Service mast ground clamp
KIT-200MH	1	MM202	Entrance cap
	1	MM201	Heavy-duty rack
	1	MM505N	Flange complete with neoprene collar
	3	MM255	Strap complete with ¾ in. x 5 in. lag bolts
	1	MH200	Mast coupler


Cat. no.	Qty.	Consists of	Description
KIT-100HDM	1	MM104	Entrance cap
	1	MM140M	1¼ in. Male reducer
	1	MM201	Heavy-duty rack
	1	MM503	Flange complete with steel collar
	3	MM255	Strap complete with ¾ in. x 5 in. lag bolts
KIT-200-PVC	1	SS401-E	Spool rack
	1	E998J	2 in. Entrance cap
	3	E977JC	2 in. Strap
	1	PH20	2 in. Hub PVC
	2	E943J	2 in. Male adaptor
	2	CI1716	2 in. Locknut
	1	E986J	2 in. LB type
	1	CIDUCT1	Duct seal
	1	UA9AJCB-UPC	2 in. PVC elbow
	KIT-200AM-CP	1	MM202
1		MM201	Spool rack
1		MM505N	Floor flange
1		MM200M	2 in. Male reducer
3		MM251	Strap complete with ¾ in. x 4 in. lag bolts
2		E943J	2 in. Male adaptor
2		CI1716	2 in. Locknut
1		E986J	2 in. Entrance cap
1		DUCT SEAL	Duct seal
1		UA9AJCB-UPC	2 in. PVC elbow
KIT-200MH-CP	1	MM202	2 in. Entrance cap
	1	MM201	Spool rack
	1	MM505N	Roof flange
	1	MH200	2 in. Mast coupler
	3	MM251	Strap complete with ¾ in. x 4 in. lag bolts
	2	E943J	2 in. Male adaptor
	2	CI1716	2 in. Locknut
	1	E986J	2 in. Entrance cap
	1	CIDUCT1	Duct seal
	1	UA9AJCB-UPC	2 in. PVC elbow




## Service masts

Mast kits suitable for Quebec and for all regions


### KIT-200-PVC – Quebec

Cat. no.	Qty.	Consists of	Description
<b>This mast kit is used in conjunction with 2 in. rigid conduit</b>			
	1	SS401-E	Spool rack
	1	E998J	2 in. Entrance cap
	3	E977JCB	2 in. Strap
	1	PH20	2 in. Hub PVC
	2	E943J	2 in. Male adaptor
	2	CI1716	2 in. Locknut
	1	E986J	2 in. LB type
	1	CIDUCT1	Duct seal
	1	UA9AJCB-UPC	2 in. PVC elbow


### KIT-200AM-CP – Quebec

Cat. no.	Qty.	Consists of	Description
<b>This mast kit is used in conjunction with 2 in. rigid conduit</b>			
	1	MM202	2 in. Entrance cap
	1	MM201	Spool rack
	1	MM505N	Roof flange
	1	MM200M	2 in. Male reducer
	3	MM251	2 in. Pipe strap (comes with lag screws)
	2	E943J	2 in. Male adaptor
	2	CI1716	2 in. Locknut
	1	E986J	2 in. Entrance cap
	1	CIDUCT1	Duct seal
	1	UA9AJCB-UPC	2 in. PVC elbow

### KIT-200MH-CP – Quebec

Cat. no.	Qty.	Consists of	Description
	1	MM202	2 in. Entrance cap
	1	MM201	Spool rack
	1	MM505N	Roof flange
	1	MH200	2 in. Mast coupler
	3	MM251	2 in. Pipe strap, comes with lag screws 3/8 x 4 in.
	2	E943J	2 in. Male adaptor
	2	CI1716	2 in. Locknut
	1	E986J	2 in. Entrance cap
	1	CIDUCT1	Duct seal
	1	UA9AJCB-UPC	2 in. PVC elbow

### KIT-400MH – For all regions

Cat. no.	Qty.	Consists of	Description
<b>This mast kit is used in conjunction with 4 in. rigid conduit</b>			
	1	CIEFA-4	4 in. Entrance head
	1	MM801	Heavy-duty spool rack
	1	MM806N	Roof flange
	1	MH40	4 in. Mast coupler
	3	CI1532	Pipe strap comes with lag screws (6) 3/8 x 5 in.

## Service masts

Mast kits suitable for New Brunswick and Newfoundland

### New Brunswick

Cat. no.	Qty.	Consists of	Description
KIT-100	1	MM104	Entrance cap
	1	MM140M	1½ in. Male reducer
	3	MM251	Strap complete with ¾ in. x 4 in. lag bolts
	1	MM505N	Flange complete with neoprene collar
KIT-100NBMH	1	MM104	Entrance cap
	3	MM251	Strap complete with ¾ in. x 4 in. lag bolts
	1	MH200	Mast coupler
	1	MM505N	Flange complete with neoprene collar
KIT-200	1	MM202	Entrance cap
	1	MM200M	2 in. Male reducer
	3	MM251	Strap complete with ¾ in. x 4 in. lag bolts
	1	MM505N	Flange complete with neoprene collar
KIT-200MH	1	MM202	Entrance cap
	1	MM201	Heavy-duty spool rack
	1	MH200	Mast coupler
	3	MM255	Strap complete with ¾ in. x 5 in. lag bolts
	1	MM505N	Flange complete with neoprene collar
KIT-206NBMH	1	MM202	Entrance cap
	1	MH200	Mast coupler
	3	MM251	Strap complete with ¾ in. x 4 in. lag bolts
	1	MM506N	All-neoprene roof flange
KIT-200NBMH	1	MM202	Entrance cap
	1	MH200	Mast coupler
	3	MM251	Strap complete with ¾ in. x 4 in. lag bolts
	1	MM505N	Flange complete with neoprene collar
KIT-106NBMH	1	MM104	Entrance cap
	1	MM506N	All neoprene roof flange
	3	MM251	Strap complete with ¾ in. x 4 in. lag bolts
	1	MH200	Mast coupler

### Newfoundland

Cat. no.	Qty.	Consists of	Description
KIT-100MH	1	MH200	Mast coupler
	1	MM104	Entrance cap
	1	MM101	Light-duty spool rack
	3	MM251	Strap complete with ¾ in. x 4 in. lag bolts
	1	MM505N	Flange complete with neoprene collar
KIT-100NBMH	1	MM104	Entrance cap
	3	MM251	Strap complete with ¾ in. x 4 in. lag bolts
	1	MH200	Mast coupler
	1	MM505N	Flange complete with neoprene collar
KIT-205LDMH	1	MM202	Entrance cap
	1	MM101	Light-duty spool rack
	3	MM251	Strap complete with ¾ in. x 4 in. lag bolts
	1	MH200	Mast coupler
	1	MM505N	Flange complete with neoprene collar

## Service masts

Mast kits suitable for Nova Scotia and Prince Edward Island

### Nova Scotia

Cat. no.	Qty.	Consists of	Description
KIT-100MN	1	MM104	Entrance cap
	1	MM140M	1½ in. Male reducer
	1	MM101	Light-duty spool rack
	3	MM255	Strap complete with ¾ in. x 5 in. lag bolts
	1	MM505N	Flange complete with neoprene collar
KIT-100	1	MM104	Entrance cap
	1	MM140M	1½ in. Male reducer
	3	MM251	Strap complete with ¾ in. x 4 in. lag bolts
	1	MM505N	Flange complete with neoprene collar
KIT-100NSMH	1	MM104	Entrance cap
	4	MM251	Strap complete with ¾ in. x 4 in. lag bolts
	1	MM505N	Flange complete with neoprene collar
	1	MH200	Mast coupler
KIT-200AM	1	MM202	Entrance cap
	1	MM201	Heavy-duty spool rack
	3	MM255	Strap complete with ¾ in. x 5 in. lag bolts
	1	MM200M	2 in. Male reducer
	1	MM505N	Flange complete with neoprene collar
KIT-200	1	MM202	Entrance cap
	1	MM200M	2 in. Male reducer
	3	MM251	Strap complete with ¾ in. x 4 in. lag bolts
	1	MM505N	Flange complete with neoprene collar
KIT-200NSMH	1	MM202	Entrance cap
	1	MH200	Mast coupler
	3	MM251	Strap complete with ¾ in. x 4 in. lag bolts
	1	MM505N	Flange complete with neoprene collar

### Prince Edward Island

Cat. no.	Qty.	Consists of	Description
KIT-100MH	1	MM104	Entrance cap
	1	MM101	Light-duty spool rack
	3	MM251	Strap complete with ¾ in. x 4 in. lag bolts
	1	MM505N	Flange complete with neoprene collar
	1	MH200	Mast coupler
KIT-106NBMH	1	MM104	Entrance cap
	3	MM251	Strap complete with ¾ in. x 4 in. lag bolts
	1	MH200	Mast coupler
	1	MM506N	All-neoprene roof flange
KIT-200MH	1	MM202	Entrance cap
	1	MM201	Heavy-duty spool rack
	1	MH200	Mast coupler
	3	MM255	Strap complete with ¾ in. x 5 in. lag bolts
	1	MM505N	Flange complete with neoprene collar
KIT-200NBMH	1	MM202	Entrance cap
	1	MH200	Mast coupler
	3	MM251	Strap complete with ¾ in. x 4 in. lag bolts
	1	MM505N	Flange complete with neoprene collar
KIT-206NBMH	1	MM202	Entrance cap
	1	MH200	Mast coupler
	3	MM251	Strap complete with ¾ in. x 4 in. lag bolts
	1	MM506N	All-neoprene roof flange