

REVISIONS			
REV.	DESCRIPTION	DATE	APPROVED
A	REDRAWN IN SW	2/10/2005	BEM
B	CHANGED TERMINAL AND WIRES CORRECTED PANEL CUTOUT DIM	11/5/2010	CAM
C	UPDATED STANDOFF	9/23/2015	JJH

D

D

C

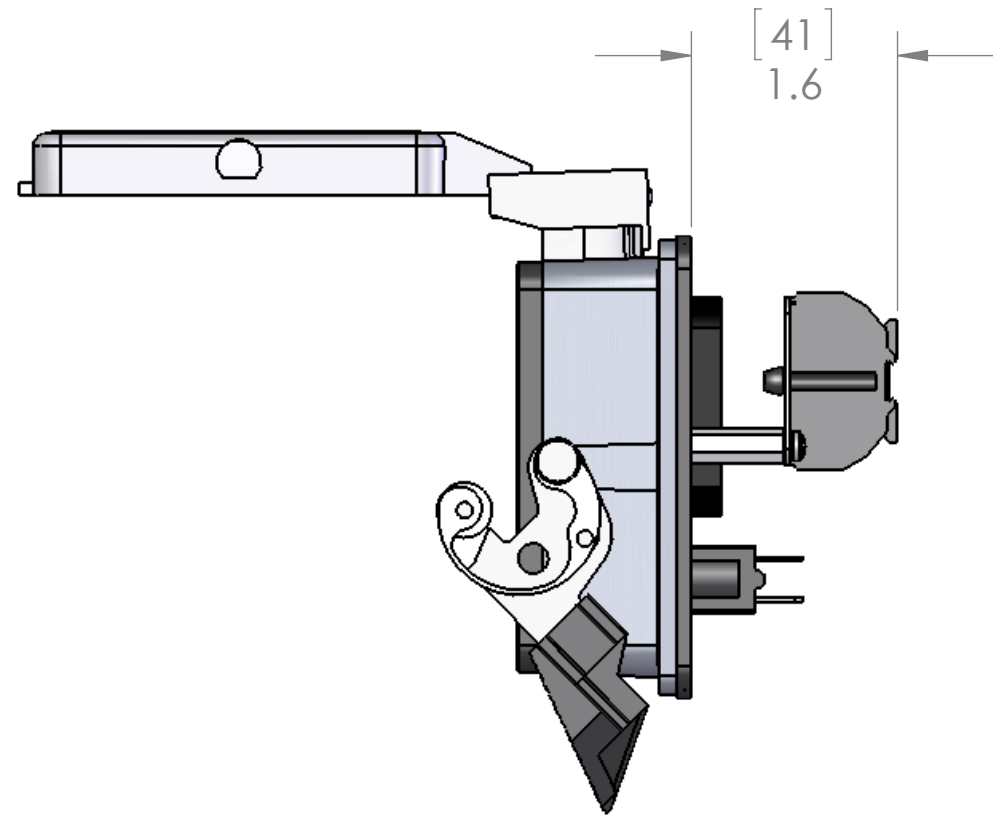
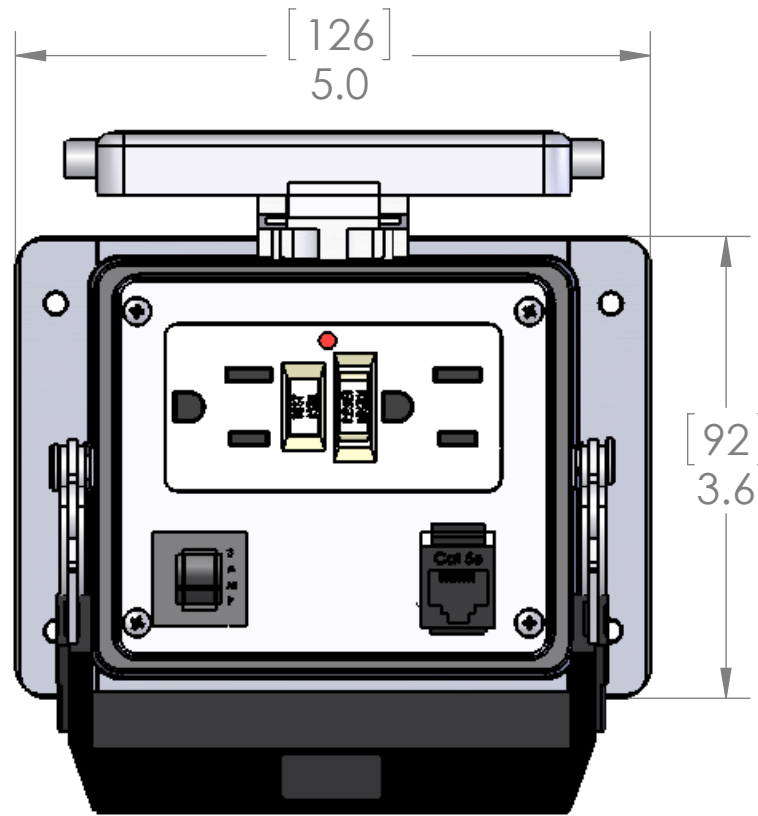
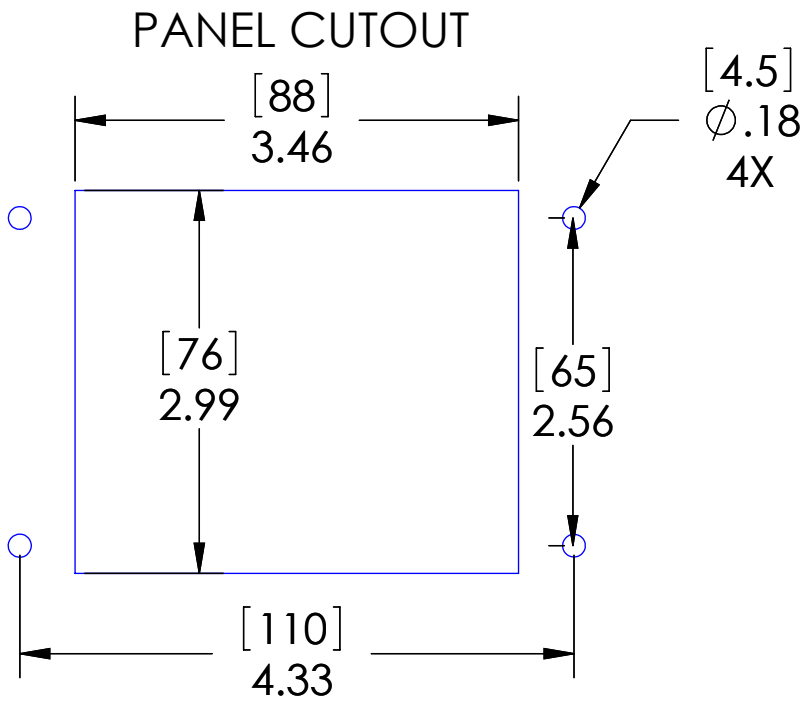
C

B

B

A

A



PIC RATINGS	
VOLTS:	125V
AMPS:	3A
SCCR:	10kA
NEMA/UL:	4, 4X, 12

UNLESS OTHERWISE SPECIFIED:

DIMENSIONS ARE IN INCHES &amp; [MM]

MATERIAL

FINISH

DO NOT SCALE DRAWING

	NAME
DRAWN	CAM
CHECKED	
ENG APPR.	
MFG APPR.	
Q.A.	

COMMENTS:

MENCOM CORPORATION

TITLE:

GFI; RJ45; 3A; 32

SIZE	DWG. NO.	REV
<b>B</b>	GF-RJ45-R-32	<b>C</b>

SCALE: 2:3 WEIGHT: SHEET 1 OF 1

STANDARD CONFIGURATIONS UNLESS OTHERWISE NOTED		
CONN. TYPE	EXTERIOR	INTERIOR
RJ45	CAT 5 JACK	CAT 5 JACK

8

7

6

5

4

3

2

1