

twist lever for position switch 3SE51/52 Aluminum rod 200 mm, Form D Diameter 6 mm with terminal according to EN 50041



<b>Product brand name</b>	SIRIUS
<b>Product designation</b>	actuator for part-turn actuator
<b>Product type designation</b>	3SE5
<b>Manufacturer's article number</b>	
• of the supplied operating lever	<a href="#">3SE5000-0AA80</a>
<b>Suitability for use safety switch</b>	No

General technical data	
<b>Product function</b>	
• positive opening	No
<b>Protection class IP</b>	IP65/IP67
<b>Shock resistance</b>	
• acc. to IEC 60068-2-27	30 g / 11 ms
<b>Mechanical service life (switching cycles)</b>	
• typical	15 000 000
<b>Reference code acc. to DIN EN 81346-2</b>	T
<b>Reference code acc. to DIN EN 61346-2</b>	T
<b>Active principle</b>	mechanical
<b>Design of the interface for safety-related communication</b>	without

## Enclosure

Coating of the enclosure Other types

## Drive Head

Design of the operating mechanism Rod lever, aluminum rod, length 200 mm

Shape of the switch head rod

Outer diameter of the switch head 6 mm

## Communication/ Protocol

Design of the interface without

## Ambient conditions

Explosion protection category for dust none

## Installation/ mounting/ dimensions

Mounting position any

Mounting type screw fixing

## Certificates/ approvals

### General Product Approval

### Declaration of Conformity



CSA



UR

[KC](#)



EG-Konf.

[Miscellaneous](#)

Test Certificates

other

[Type Test Certificates/Test Report](#)

[Confirmation](#)

## Further information

**Information- and Downloadcenter (Catalogs, Brochures,...)**

[www.siemens.com/sirius/catalogs](http://www.siemens.com/sirius/catalogs)

**Industry Mall (Online ordering system)**

<https://mall.industry.siemens.com/mall/en/en/Catalog/product?mlfb=3SE5000-0AA80>

**Cax online generator**

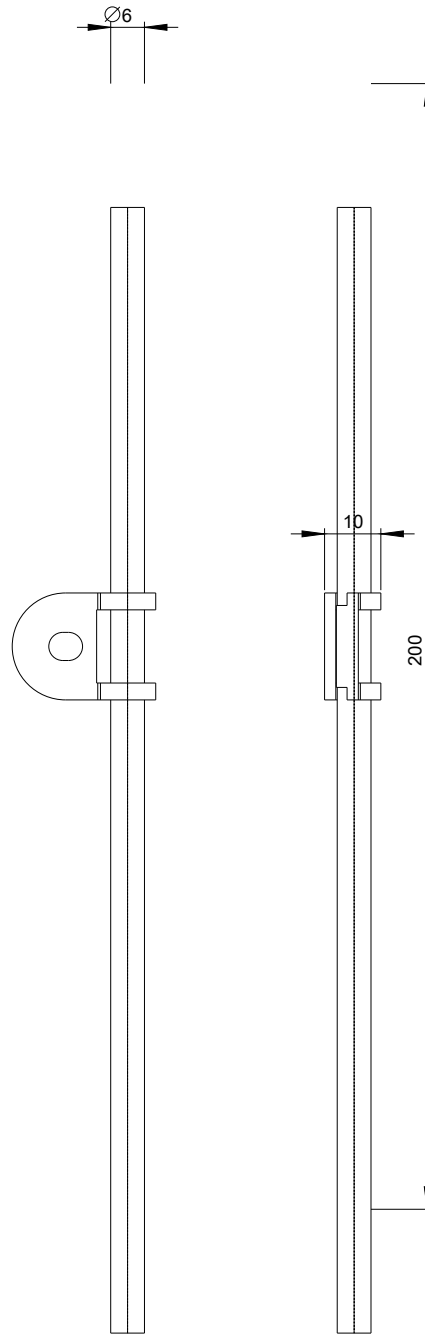
<http://support.automation.siemens.com/WW/CAXorder/default.aspx?lang=en&mlfb=3SE5000-0AA80>

**Service&Support (Manuals, Certificates, Characteristics, FAQs,...)**

<https://support.industry.siemens.com/cs/ww/en/ps/3SE5000-0AA80>

**Image database (product images, 2D dimension drawings, 3D models, device circuit diagrams, EPLAN macros, ...)**

[http://www.automation.siemens.com/bilddb/cax\\_de.aspx?mlfb=3SE5000-0AA80&lang=en](http://www.automation.siemens.com/bilddb/cax_de.aspx?mlfb=3SE5000-0AA80&lang=en)



last modified:

07/26/2019