

CATALOG



HeritagePlastics™

PVC CONDUIT, ELBOWS & FITTINGS

A PART OF



# Table of Contents



## PVC Conduit & Fittings

Table of Contents	2
Locations and Products	3
PVC Rigid Conduit & Fittings	4
PVC Rigid Conduit Sch40	5
PVC Rigid Conduit Sch80	6
PVC Conduit Utility Duct DB-60, DB-100 & DB-120	7
PVC Conduit Utility Duct EB-20 & EB-35	8
Telephone Duct - Type C	8
PVC Pipe Chart Loading Chart	9
Standard Radius PVC Elbows	10 - 13
Special Radius PVC Elbows	14 - 21
Spacers	22
Couplings and Adapters	23 - 26
Expansion Couplings and Meter Risers	27
PVC Accessories	28
PVC Access Fittings	29
PVC Access Fittings, Junction Boxes & Accessories	30 - 31
Cover Plates and Weatherproof Box Covers	32 - 33
Exposed Boxes	34 - 36
PVC Fittings - Miscellaneous	37
Solvent Cement/Primer/Cleaner	38
Notes	39

For your 24/7 online resource, visit our website at [www.heritageplastics.com](http://www.heritageplastics.com)

- Downloadable Literature



## Heritage Plastics...

is an American manufacturer of PVC Conduit, Fittings, and Pipe for the Electrical, Irrigation, Municipal and Plumbing markets.

Heritage was founded in 1992 and acquired in 2013 by Atkore International.

Atkore International is a global manufacturer of galvanized steel pipe, electrical conduit, armored wire cable, metal framing systems, and building components, serving a wide range of construction, electrical, fire and security, mechanical and automotive applications.

## Atkore Plastic Pipe and Conduit group operates seven manufacturing facilities throughout the USA.

- Binghamton, New York
- Eugene, Oregon
- Louisville, Kentucky
- Milford, Utah
- Tampa, Florida
- Thomasville, Georgia
- Weatherford, Texas

## Atkore Plastic Pipe and Conduit produces the following products:

- UL 651 Conduit and Fabricated Fittings – Schedule 40 and Schedule 80
- UL 514B Injection Molded Fittings
- NEMA TC 6 and 8 EB/DB Utility Duct
- Telephone Duct
- CATV Duct
- ASTM D 3034 Sewer Pipe
- ASTM D 2729 Drain Pipe
- ASTM D 2241 Solvent Weld IPS Pressure Pipe
- ASTM D 3034 Gasketed Sewer Pipe
- ASTM D 2241 IPS Gasketed IPS Pressure Pipe
- ASTM D 1785 Schedule 40 and Schedule 80 Pressure Pipe
- ASTM D 2665 DWV
- ASTM F 480 Well Casing

# Rigid PVC Conduit & Fittings

- Corrosion Resistant
- Non-Magnetic
- Non-Galvanic
- Self-Extinguishing
- Impact Resistant

## FEATURES & SPECIFICATIONS

Heritage Plastics offers a complete line of rigid PVC conduit, fittings and PVC utility duct that have proven durable and effective for years of maintenance free performance in underground, encased, and exposed applications.

### Typical Applications:

- Utilities
- Cable, data and communication lines
- Institutional, commercial, industrial buildings
- Residential applications, & service entrances
- Street and highway underground feeds
- Transportation systems - subways, bridges, tunnels, airports
- Water and wastewater treatment plants
- Marinas
- Mines and mills

### Schedule 40 & 80 Rigid PVC Conduit and Fabricated Fittings

Used in exposed, encased in concrete, and direct burial applications.



### DB and EB Conduit

DB used in direct burial applications and EB used in encased burial applications.

### PVC Fittings

Heritage Plastics supplies a full line of electrical PVC fittings, elbows and sweeps. We manufacture couplings, female and terminal adapters, and end bells in Carrollton, OH. We carry a broad line of other molded fittings as well.

Heritage manufactures a full line of fabricated fittings including swedge and slip couplings, standard elbows, special radius sweeps and custom sweeps in four of our eight manufacturing facilities in New York, Georgia, Texas and Oregon.



# Rigid PVC Conduit - Schedule 40

Listed to UL 651

## Schedule 40 Rated for use with 90° C Wiring



Schedule 40 is sunlight resistant. Meets or exceeds the requirements of NEMA TC 2 and UL 651 for Schedule 40 Conduit.

Trade Size	Part Number	Average O.D. (in)	Minimum Average I.D. (in)	Minimum Wall (in)	Weight Per Foot (lbs)	10 Ft Crate Quantity (ft)
1/2	8102	0.840	0.578	0.109	0.165	6000
3/4	8103	1.050	0.780	0.113	0.220	4400
1	8104	1.315	1.004	0.133	0.326	3600
1-1/4	8105	1.660	1.335	0.140	0.441	3300
1-1/2	8106	1.900	1.564	0.145	0.528	2250
2	8108	2.375	2.021	0.154	0.730	1400
2-1/2	8110	2.875	2.414	0.203	1.158	930
3	8112	3.500	3.008	0.216	1.609	880
3-1/2	8114	4.000	3.486	0.226	1.935	630
4	8116	4.500	3.961	0.237	2.292	570
5	8120	5.563	4.975	0.258	3.105	380
6	8124	6.625	5.986	0.280	4.030	260
8*	880747	8.625	7.853	0.322	6.065	140

\* UL 651 does not include 8"



## Schedule 40 Rated for use with 90° C Wiring



Schedule 40 is sunlight resistant. Meets or exceeds the requirements of NEMA TC 2 and UL 651 for Schedule 40 Conduit.

Trade Size	Part Number	Average O.D. (in)	Minimum Average I.D. (in)	Minimum Wall (in)	Weight Per Foot (lbs)	20 Ft Crate Quantity (ft)
1/2	8502	0.840	0.578	0.109	0.165	12000
3/4	8503	1.050	0.780	0.113	0.220	8800
1	8504	1.315	1.004	0.133	0.326	7200
1-1/4	8505	1.660	1.335	0.140	0.441	6600
1-1/2	8506	1.900	1.564	0.145	0.528	4500
2	8508	2.375	2.021	0.154	0.730	2800
2-1/2	8510	2.875	2.414	0.203	1.158	1860
3	8512	3.500	3.008	0.216	1.609	1760
3-1/2	8514	4.000	3.486	0.226	1.935	1260
4	8516	4.500	3.961	0.237	2.292	1140
5	8520	5.563	4.975	0.258	3.105	760
6	8524	6.625	5.986	0.280	4.030	520
8*	924297	8.625	7.853	0.322	6.065	280

\* UL 651 does not include 8"



Item availability may vary by region.

Special orders are non-cancelable, non-returnable and non-refundable.

[www.heritageplastics.com](http://www.heritageplastics.com)

# Rigid PVC Conduit - Schedule 80

Listed to UL 651

## Schedule 80 Rated for use with 90° C Wiring



Schedule 80 is sunlight resistant. Meets or exceeds the requirements of NEMA TC 2 and UL 651 for Schedule 80 Conduit.

Trade Size	Part Number	Average O.D. (in)	Minimum Average I.D. (in)	Minimum Wall (in)	Weight Per Foot (lbs)	10 Ft Crate Quantity (ft)
1/2	9302	0.840	0.502	0.147	0.205	6000
3/4	9303	1.050	0.698	0.154	0.278	4400
1	9304	1.315	0.910	0.179	0.410	3600
1-1/4	9305	1.660	1.227	0.191	0.565	3300
1-1/2	9306	1.900	1.446	0.200	0.726	2250
2	9308	2.375	1.881	0.218	1.004	1400
2-1/2	9310	2.875	2.250	0.276	1.531	930
3	9312	3.500	2.820	0.300	2.049	880
3-1/2	924024	4.000	3.280	0.318	2.499	630
4	9316	4.500	3.737	0.377	3.122	570
5	9320	5.563	4.713	0.375	4.330	380
6	9324	6.625	5.646	0.432	5.954	260



## Schedule 80 Rated for use with 90° C Wiring



Schedule 80 is sunlight resistant. Meets or exceeds the requirements of NEMA TC 2 and UL 651 for Schedule 80 Conduit.

Trade Size	Part Number	Average O.D. (in)	Minimum Average I.D. (in)	Minimum Wall (in)	Weight Per Foot (lbs)	20 Ft Crate Quantity (ft)
1/2	925785	0.840	0.502	0.147	0.205	12000
3/4	9503	1.050	0.698	0.154	0.278	8800
1	9504	1.315	0.910	0.179	0.410	7200
1-1/4	924298	1.660	1.227	0.191	0.565	6600
1-1/2	9506	1.900	1.446	0.200	0.726	4500
2	9508	2.375	1.881	0.218	1.004	2800
2-1/2	924299	2.875	2.250	0.276	1.531	1860
3	9512	3.500	2.820	0.300	2.049	1760
3-1/2	-	4.000	3.280	0.318	2.499	1260
4	9516	4.500	3.737	0.377	3.122	1140
5	9520	5.563	4.713	0.375	4.330	760
6	9524	6.625	5.646	0.432	5.954	520



Item availability may vary by region.

Special orders are non-cancelable, non-returnable and non-refundable.

## Rigid PVC Conduit - Utility Duct

### Utility Duct - Type DB-60 for Direct Burial Rated for use with 90° C Wire



Trade Size	Part Number	Average O.D. (in)	Minimum Wall (in)	Weight Per Foot (lbs)	20 Ft Crate Quantity (ft)
2	7508	2.375	0.060	0.361	2800
3	7512	3.500	0.092	0.711	1760
4	7516	4.500	0.121	1.202	1140
5	7520	5.563	0.152	1.866	760
6	7524	6.625	0.182	2.660	520

- Meets NEMA TC 6 and 8 and ASTM F 512

### Utility Duct - Type DB-100 for Direct Burial Rated for use with 90° C Wire



Trade Size	Part Number	Average O.D. (in)	Minimum Wall (in)	Weight Per Foot (lbs)	Crate Quantity (ft)
3	924289	3.500	0.112	0.879	1760
4	924290	4.500	0.145	1.499	1140
5	924291	5.563	0.179	2.292	760
6	924292	6.625	0.213	3.253	520

- Meets NEMA TC 6 and 8 and ASTM F 512

### Utility Duct - Type DB-120 for Direct Burial Rated for use with 90° C Wire



Trade Size	Part Number	Average O.D. (in)	Minimum Wall (in)	Weight Per Foot (lbs)	Crate Quantity (ft)
1	924293	1.315	0.060	0.164	7200
1-1/2	924294	1.900	0.060	0.258	4500
2	6108	2.375	0.077	0.415	2800
3	6112	3.500	0.118	0.964	1760
4	6116	4.500	0.154	1.594	1140
5	6120	5.563	0.191	2.433	760
6	6124	6.625	0.227	3.448	520

- Meets NEMA TC 6 and 8 and ASTM F 512

Item availability may vary by region.

Special orders are non-cancelable, non-returnable and non-refundable.

[www.heritageplastics.com](http://www.heritageplastics.com)

## Rigid PVC Conduit - Utility Duct

### Utility Duct - Type EB-20 for Encased Burial Rated for use with 90° C Wire



Trade Size	Part Number	Average O.D. (in)	Minimum Wall (in)	Weight Per Foot (lbs)	Crate Quantity (ft)
2	2008	2.375	0.060	0.361	2800
3	2012	3.500	0.061	0.514	1760
4	2016	4.500	0.082	0.900	1140
5	2020	5.563	0.103	1.268	760
6	2024	6.625	0.125	1.729	520

• Meets NEMA TC 6 and 8 and ASTM F 512

### Utility Duct - Type EB-35 for Encased Burial Rated for use with 90° C Wire



Trade Size	Part Number	Average O.D. (in)	Minimum Wall (in)	Weight Per Foot (lbs)	Crate Quantity (ft)
2	3508	2.375	0.060	0.361	2800
3	3512	3.500	0.076	0.596	1760
4	3516	4.500	0.100	0.923	1760
5	3520	5.563	0.126	1.650	760
6	–	6.625	0.152	2.375	520

• Meets NEMA TC 6 and 8 and ASTM F 512

### Telephone Duct - Type C

	Trade Size	Part Number	Average O.D. (in)	Minimum Wall (in)	Weight Per Foot (lbs)	Crate Quantity (ft)
White	4	924572	4.350	0.149	1.493	1260
Gray	4	924301	4.350	0.149	1.493	1260

• Meets CAO 8546

• Type C duct has minimum pipe stiffness of 120 lbs/in/in

Item availability may vary by region.

Special orders are non-cancelable, non-returnable and non-refundable.



# PVC Pipe Truck Loading Chart

Product Type	Size	Ft/Crate	Pcs/Crate	Ft/Truckload	Crates/Stack	Crate % of TL
<b>Schedule 40/80 10' Pipe Length</b>	1/2	6,000	600	288,000	6	2.00
	3/4	4,400	440	176,000	5	2.50
	1	3,600	360	144,000	5	2.50
	1-1/4	3,300	330	132,000	5	2.50
	1-1/2	2,250	225	90,000	5	2.50
	2	1,400	140	56,000	5	2.50
	2-1/2	930	93	37,000	5	2.50
	3	880	88	28,160	4	3.13
	3-1/2	630	63	20,160	4	3.13
	4	570	57	18,240	4	3.13
	5	380	38	12,160	4	3.13
	6	260	26	8,320	4	3.13
8	140	14	4,480	4	3.13	
<b>Schedule 40/80 20' Pipe Length</b>	1/2	12,000	600	288,000	6	4.16
	3/4	8,800	440	176,000	5	5.00
	1	7,200	360	144,000	5	5.00
	1-1/4	6,600	330	132,000	5	5.00
	1-1/2	4,500	225	90,000	5	5.00
	2	2,800	140	56,000	5	5.00
	2-1/2	1,860	93	37,000	5	5.00
	3	1,760	88	28,160	4	6.25
	3-1/2	1,260	63	20,160	4	6.25
	4	1,140	57	18,240	4	6.25
	5	760	38	12,160	4	6.25
	6	520	26	8,320	4	6.25
8	280	14	4,480	4	6.25	
<b>DB or EB Duct 20' Pipe Length</b>	1	7,200	360	144,000	5	5.00
	1-1/2	4,500	225	90,000	5	5.00
	2	2,800	140	56,000	5	5.00
	3	1,760	100	28,160	4	6.25
	4	1,140	57	18,240	4	6.25
	5	760	38	12,160	4	6.25
6	520	26	8,320	4	6.25	
<b>C-Duct 20' Pipe Length</b>	4	1,260	63	20,160	4	6.25

• Full truckloads of some individual Schedule 40 products and all Schedule 80 products may exceed trucking weight limits.

Item availability may vary by region.

Special orders are non-cancelable, non-returnable and non-refundable.

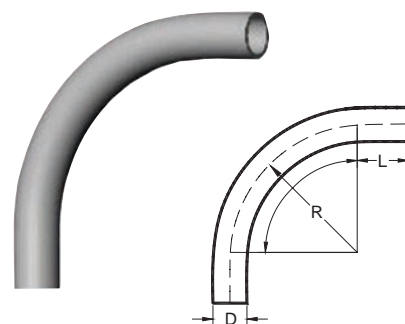
[www.heritageplastics.com](http://www.heritageplastics.com)

## PVC Schedule 40 - Standard Radius Elbows (Plain End)

Listed to UL 651

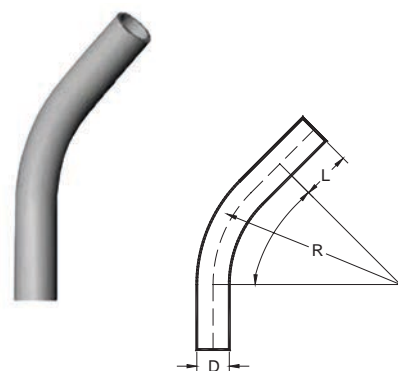
## 90° Elbows

Trade Size	System Part Number	Standard Package Quantity	Average O.D. (in)	Minimum Length (L) (in)	Radius (R) (in)
1/2	59588	50	0.840	1.500	4.00
3/4	59589	25	1.050	1.500	4.50
1	59590	25	1.315	1.875	5.75
1-1/4	59591	25	1.660	2.000	7.25
1-1/2	59592	25	1.900	2.000	8.25
2	59593	25	2.375	2.000	9.50
2-1/2	59594	50	2.875	3.000	10.50
3	59595	50	3.500	3.125	13.00
3-1/2	59596	25	4.000	3.250	15.00
4	59597	25	4.500	3.375	16.00
5	59598	20	5.563	3.625	24.00
6	59599	16	6.625	3.750	30.00



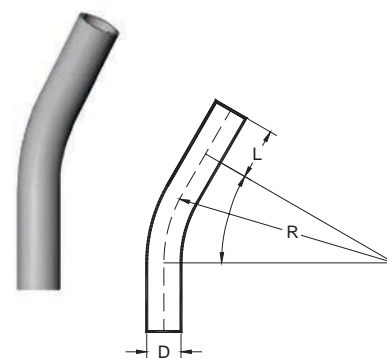
## 45° Elbows

Trade Size	System Part Number	Standard Package Quantity	Average O.D. (in)	Minimum Length (L) (in)	Radius (R) (in)
1/2	59575	50	0.840	1.500	4.00
3/4	59576	25	1.050	1.500	4.50
1	59577	25	1.315	1.875	5.75
1-1/4	59578	25	1.660	2.000	7.25
1-1/2	59579	25	1.900	2.000	8.25
2	59580	25	2.375	2.000	9.50
2-1/2	59581	50	2.875	3.000	10.50
3	59582	50	3.500	3.125	13.00
3-1/2	59583	25	4.000	3.250	15.00
4	59584	25	4.500	3.375	16.00
5	59585	20	5.563	3.625	24.00
6	59586	16	6.625	3.750	30.00



## 30° Elbows

Trade Size	System Part Number	Standard Package Quantity	Average O.D. (in)	Minimum Length (L) (in)	Radius (R) (in)
1/2	59561	50	0.840	1.500	4.00
3/4	59562	25	1.050	1.500	4.50
1	59563	25	1.315	1.875	5.75
1-1/4	59564	25	1.660	2.000	7.25
1-1/2	59565	25	1.900	2.000	8.25
2	59566	25	2.375	2.000	9.50
2-1/2	59567	20	2.875	3.000	10.50
3	59568	50	3.500	3.125	13.00
3-1/2	59569	25	4.000	3.250	15.00
4	59570	25	4.500	3.375	16.00
5	59571	20	5.563	3.625	24.00
6	59572	16	6.625	3.750	30.00



11.25° &amp; 22.5° Standard Radius Elbows are available upon request



Item availability may vary by region.

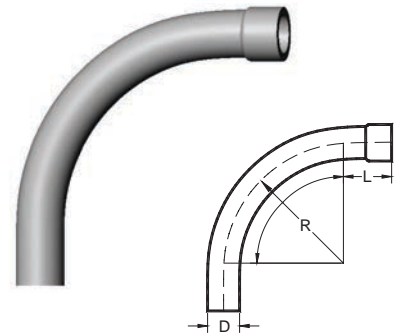
Special orders are non-cancelable, non-returnable and non-refundable.

[www.heritageplastics.com](http://www.heritageplastics.com)

# PVC Schedule 40 - Standard Radius Elbows (Belled End)

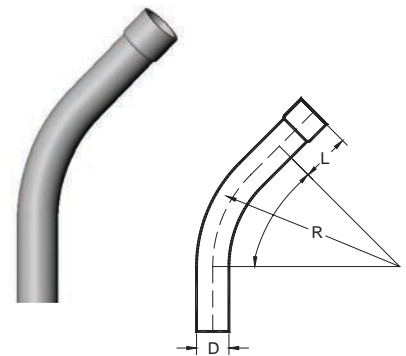
## 90° Elbows

Trade Size	System Part Number	Standard Package Quantity	Average O.D. (in)	Minimum Length (L) (in)	Radius (R) (in)
1/2	802752	50	0.840	1.500	4.00
3/4	802753	25	1.050	1.500	4.50
1	802754	25	1.315	1.875	5.75
1-1/4	802755	25	1.660	2.000	7.25
1-1/2	802756	25	1.900	2.000	8.25
2	802757	25	2.375	2.000	9.50
2-1/2	802758	50	2.875	3.000	10.50
3	802759	50	3.500	3.125	13.00
3-1/2	802761	25	4.000	3.250	15.00
4	802762	25	4.500	3.375	16.00
5	802763	20	5.563	3.625	24.00
6	802764	16	6.625	3.750	30.00



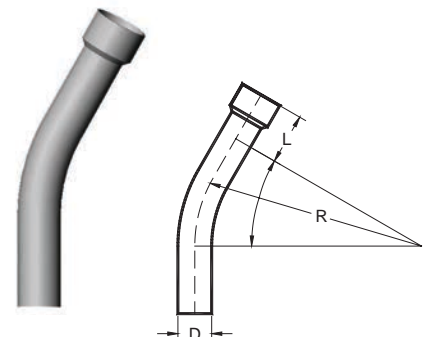
## 45° Elbows

Trade Size	System Part Number	Standard Package Quantity	Average O.D. (in)	Minimum Length (L) (in)	Radius (R) (in)
1/2	802765	50	0.840	1.500	4.00
3/4	802767	25	1.050	1.500	4.50
1	802768	25	1.315	1.875	5.75
1-1/4	802769	25	1.660	2.000	7.25
1-1/2	802770	25	1.900	2.000	8.25
2	802771	25	2.375	2.000	9.50
2-1/2	802772	50	2.875	3.000	10.50
3	802773	50	3.500	3.125	13.00
3-1/2	802774	25	4.000	3.250	15.00
4	802775	25	4.500	3.375	16.00
5	802776	20	5.563	3.625	24.00
6	802777	16	6.625	3.750	30.00



## 30° Elbows

Trade Size	System Part Number	Standard Package Quantity	Average O.D. (in)	Minimum Length (L) (in)	Radius (R) (in)
1/2	802778	50	0.840	1.500	4.00
3/4	802779	25	1.050	1.500	4.50
1	802780	25	1.315	1.875	5.75
1-1/4	802781	25	1.660	2.000	7.25
1-1/2	802782	25	1.900	2.000	8.25
2	802783	25	2.375	2.000	9.50
2-1/2	802784	20	2.875	3.000	10.50
3	802785	50	3.500	3.125	13.00
3-1/2	802786	25	4.000	3.250	15.00
4	802787	25	4.500	3.375	16.00
5	802788	20	5.563	3.625	24.00
6	802789	16	6.625	3.750	30.00



11.25° & 22.5° Standard Radius Elbows are available upon request



Item availability may vary by region.

Special orders are non-cancelable, non-returnable and non-refundable.

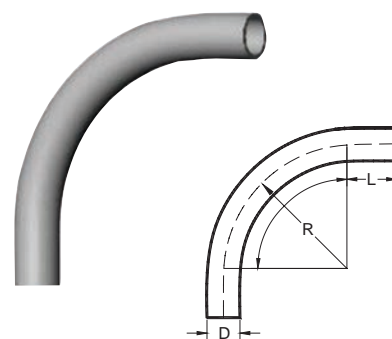
[www.heritageplastics.com](http://www.heritageplastics.com)

## PVC Schedule 80 - Standard Radius Elbows (Plain End)

Listed to UL 651

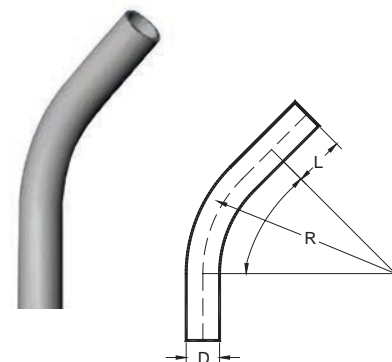
## 90° Elbows

Trade Size	System Part Number	Standard Package Quantity	Average O.D. (in)	Minimum Length (L) (in)	Radius (R) (in)
1/2	59012	50	0.840	1.500	4.00
3/4	59013	25	1.050	1.500	4.50
1	59014	25	1.315	1.875	5.75
1-1/4	59015	25	1.660	2.000	7.25
1-1/2	59016	25	1.900	2.000	8.25
2	59017	25	2.375	2.000	9.50
2-1/2	59018	50	2.875	3.000	10.50
3	59019	50	3.500	3.125	13.00
3-1/2	59020	25	4.000	3.250	15.00
4	59021	25	4.500	3.375	16.00
5	59022	20	5.563	3.625	24.00
6	59023	16	6.625	3.750	30.00



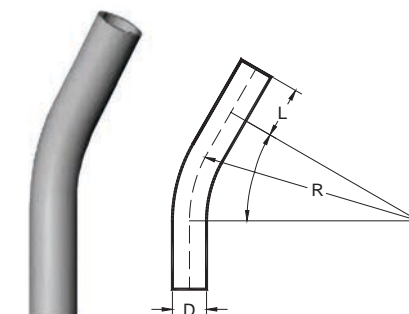
## 45° Elbows

Trade Size	System Part Number	Standard Package Quantity	Average O.D. (in)	Minimum Length (L) (in)	Radius (R) (in)
1/2	59000	50	0.840	1.500	4.00
3/4	59001	25	1.050	1.500	4.50
1	59002	25	1.315	1.875	5.75
1-1/4	59003	25	1.660	2.000	7.25
1-1/2	59004	25	1.900	2.000	8.25
2	59005	25	2.375	2.000	9.50
2-1/2	59006	50	2.875	3.000	10.50
3	59007	50	3.500	3.125	13.00
3-1/2	59008	25	4.000	3.250	15.00
4	59009	25	4.500	3.375	16.00
5	59010	20	5.563	3.625	24.00
6	59011	16	6.625	3.750	30.00



## 30° Elbows

Trade Size	System Part Number	Standard Package Quantity	Average O.D. (in)	Minimum Length (L) (in)	Radius (R) (in)
3/4	59065	25	1.050	1.500	4.50
1	59066	25	1.315	1.875	5.75
1-1/4	59067	25	1.660	2.000	7.25
1-1/2	59068	25	1.900	2.000	8.25
2	59069	25	2.375	2.000	9.50
2-1/2	59070	20	2.875	3.000	10.50
3	59071	50	3.500	3.125	13.00
4	59072	25	4.500	3.375	16.00
5	59073	20	5.563	3.625	24.00
6	59074	16	6.625	3.750	30.00



11.25° &amp; 22.5° Standard Radius Elbows are available upon request



Item availability may vary by region.

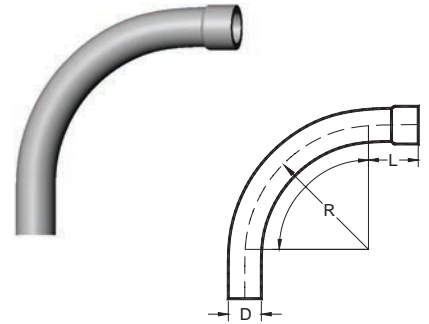
Special orders are non-cancelable, non-returnable and non-refundable.

www.heritageplastics.com

# PVC Schedule 80 - Standard Radius Elbows (Belled End)

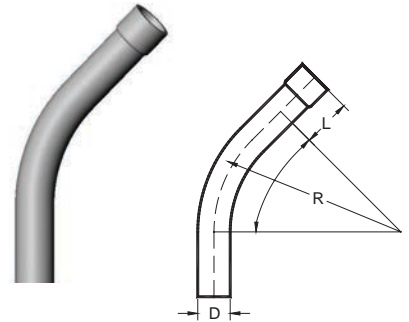
## 90° Elbows

Trade Size	System Part Number	Standard Package Quantity	Average O.D. (in)	Minimum Length (L) (in)	Radius (R) (in)
3/4	925610	25	1.050	1.500	4.50
1	924949	25	1.875	1.875	5.75
1-1/4	924954	25	1.660	2.000	7.25
2	924970	25	2.375	2.000	9.50
2-1/2	924977	50	2.875	3.000	10.50
3	924993	50	3.500	3.125	13.00
4	925006	25	4.500	3.375	16.00
5	925017	20	5.563	3.625	24.00
6	925028	16	6.625	3.750	30.00



## 45° Elbows

Trade Size	System Part Number	Standard Package Quantity	Average O.D. (in)	Minimum Length (L) (in)	Radius (R) (in)
1-1/2	903486	25	1.900	2.000	8.25
2	924967	25	2.375	2.000	9.50
2-1/2	924976	50	2.875	3.000	10.50
3	924990	50	3.500	3.125	13.00
4	925003	25	4.500	3.375	16.00
5	925015	20	5.563	3.625	24.00
6	925025	16	6.625	3.750	30.00



11.25°, 22.5° & 30° Standard Radius Elbows are available upon request



Item availability may vary by region.

Special orders are non-cancelable, non-returnable and non-refundable.

[www.heritageplastics.com](http://www.heritageplastics.com)

## PVC Schedule 40 - Special Radius Elbows (Plain End)

Listed to UL 651

Trade Size	Degree	Standard Package Quantity	System Part Number					
			18" Radius	24" Radius	30" Radius	36" Radius	48" Radius	60" Radius
3/4	90	25	-	924695	-	-	-	-
1	90	25	59701	59708	59717	59727	59738	-
	45		-	925489	-	-	-	-
1-1/4	90	25	59702	59709	59718	59728	59739	-
	45		925500	-	59766	925502	-	-
	22-1/2		-	59855	-	59876	-	-
1-1/2	90	25	59703	59710	59719	59729	59740	-
	45		925510	59758	-	59777	-	-
	30		-	59806	-	-	-	-
	22-1/2		-	59856	-	-	-	-
2	90	50	59704	59711	59720	59730	59741	924766
	45		59752	59759	59768	59778	59789	-
	30		59800	59807	-	59826	59837	-
	22-1/2		59848	59857	59867	59878	-	-
	11-1/4		925962	-	-	925956	-	-
2-1/2	90	50	59705	59712	59721	59731	59742	-
	45		59753	59760	-	59779	59790	-
	30		-	-	-	59827	-	-
	22-1/2		59849	-	59868	-	-	-
	11-1/4		925958	-	-	-	-	-



Item availability may vary by region.  
Special orders are non-cancelable, non-returnable and non-refundable.

[www.heritageplastics.com](http://www.heritageplastics.com)

# PVC Schedule 40 - Special Radius Elbows (Plain End)

Listed to UL 651

Trade Size	Degree	Standard Package Quantity	System Part Number					
			18" Radius	24" Radius	30" Radius	36" Radius	48" Radius	60" Radius
3	90	50	59706	59713	59722	59732	59743	924801
	45		59754	59761	-	59780	59791	-
	30		-	-	-	59828	-	-
	22-1/2		59850	59859	59869	59880	-	-
	11-1/4		-	924784	-	924786	-	-
3-1/2	90	25	-	59714	59723	59733	59744	-
	45		-	-	59771	59781	-	-
	30		-	-	-	59829	-	-
	22-1/2		-	59860	-	-	-	-
4	90	25	-	59715	59724	59734	59745	828633
	45		-	59763	59772	59782	59793	924838
	30		-	59811	-	59830	59841	-
	22-1/2		-	59861	59871	59882	59893	-
	11-1/4		-	924129	-	924815	-	-
5	90	20	NOT AVAILABLE	59598	59725	59735	59746	866276
	45			59585	-	59783	59794	-
	30			59571	-	59831	59842	924146
	22-1/2			822335	59872	59883	59864	-
	11-1/4			924142	-	924857	-	924859
6	90	16	NOT AVAILABLE	59599	59736	59747	924905	
	45			59586	59784	59795	-	
	30			59572	59832	59843	924147	
	22-1/2			813682	59884	59895	-	
	11-1/4			884262	925888	-	-	
8*	90	8	NOT AVAILABLE				894493	-
	45		NOT AVAILABLE				894494	-
	30		NOT AVAILABLE				924132	-
	22-1/2		NOT AVAILABLE				925954	-

\*UL 651 does not include 8"



Item availability may vary by region.

Special orders are non-cancelable, non-returnable and non-refundable.

[www.heritageplastics.com](http://www.heritageplastics.com)

## PVC Schedule 40 - Special Radius Elbows (Belled End)

Listed to UL 651

Trade Size	Degree	Standard Package Quantity	System Part Number					
			18" Radius	24" Radius	30" Radius	36" Radius	48" Radius	60" Radius
3/4	90	25	924693	924694	-	-	-	-
	45		924691	-	-	-	-	-
1	90	25	882688	864955	-	882690	882691	-
	45		924706	924707	-	924708	-	-
	30		-	-	-	902710	-	-
	22-1/2		924702	-	-	-	-	-
	11-1/4		924698	924699	-	924700	-	-
1-1/4	90	25	882708	867654	924721	867655	882710	-
	45		924717	924718	-	924719	925503	-
	22-1/2		925494	924713	-	924714	-	-
	11-1/4		-	926369	-	-	-	-
1-1/2	90	25	882724	867657	-	867658	882726	925515
	45		924731	867656	-	924732	924733	-
	22-1/2		924726	924727	-	924728	-	-
	11-1/4		924722	924723	-	925504	-	-
2	90	50	870686	862295	878928	862294	878943	924765
	45		878919	868000	878929	866991	878944	924755
	30		882740	882741	882742	882743	882744	-
	22-1/2		882745	882746	-	873478	882748	924748
	11-1/4		924738	924739	-	924740	925519	-
2-1/2	90	50	882750	864956	878930	873477	878945	-
	45		878921	878924	878931	878939	-	-
	22-1/2		882756	882757	-	882759	-	-



Item availability may vary by region.

Special orders are non-cancelable, non-returnable and non-refundable.



## PVC Schedule 40 - Special Radius Elbows (Belled End)

Listed to UL 651

Trade Size	Degree	Standard Package Quantity	System Part Number					
			18" Radius	24" Radius	30" Radius	36" Radius	48" Radius	60" Radius
3	90	50	878922	865575	878982	865576	878947	924800
	45		878923	878925	878933	870397	878948	924795
	30		882761	882762	–	882764	882765	–
	22-1/2		882766	882767	882768	875028	882769	924792
	11-1/4		–	–	–	924785	925544	–
3-1/2	90	25	–	924807	–	878940	–	–
	45		–	878927	924099	878941	–	–
	30		–	924104	–	–	–	–
4	90	25	924845	864957	864454	862293	817088	882780
	45		924098	864375	878936	866990	817089	924837
	30		924103	880617	882781	882782	882783	924833
	22-1/2		–	864376	882784	873476	818391	924831
	11-1/4		924812	867999	–	924814	924816	–
5	90	20	NOT AVAILABLE	802763	–	873626	864453	882787
	45			802776	878938	875065	817433	924871
	30			802788	–	882789	893107	–
	22-1/2			924862	882791	873693	882790	924866
	11-1/4			924853	–	870398	924858	925575
6	90	16	NOT AVAILABLE	802764	875754	873695	924904	
	45			802777	878942	878951	924899	
	30			802789	882792	882793	924896	
	22-1/2			924889	882795	882796	924892	
	11-1/4			924878	882797	882825	924882	
8*	90	8	NOT AVAILABLE				924910	924911
	45		NOT AVAILABLE				924909	–
	22-1/2		NOT AVAILABLE				924907	–

\* UL 651 does not include 8"



Item availability may vary by region.

Special orders are non-cancelable, non-returnable and non-refundable.

[www.heritageplastics.com](http://www.heritageplastics.com)

## PVC Schedule 80 - Special Radius Elbows (Plain End)

Listed to UL 651

Trade Size	Degree	Standard Package Quantity	System Part Number					
			18" Radius	24" Radius	30" Radius	36" Radius	48" Radius	60" Radius
1	90	25	924951	808831	-	808835	808845	-
1-1/4	90	25	-	808854	-	808858	808862	-
1-1/2	90	25	805133	925998	-	809049	809053	-
2	90	50	809057	805916	925892	597394	597493	-
	45		809058	809061	925896	809067	-	-
	22-1/2		809060	926003	-	-	925631	-
	11-1/4		-	-	-	926020	-	-
2-1/2	90	50	597043	597123	-	597391	809081	-
	45		-	809078	-	-	-	-
	22-1/2		809074	-	-	-	-	-
3	90	50	597063	597152	-	597392	597494	924251
	45		809085	809088	-	809091	-	-
	22-1/2		809087	-	-	809093	-	-
3-1/2	90	25	-	-	-	924247	-	-
4	90	25	-	597153	-	597393	597492	924253
	45		-	809205	-	597823	597944	924264
	30		-	809206	-	809208	809210	-
	22-1/2		-	809207	-	809209	809211	-
5	90	20	NOT AVAILABLE	59022	-	597395	597495	924254
	45			59010	-	597824	597946	924265
	30			59073	-	809212	-	-
	22-1/2			867700	-	809213	809215	-
6	90	16	NOT AVAILABLE	59023	809249	597491	925032	
	45			59011	809250	597945	-	
	30			59074	809251	809253	924277	
	22-1/2			-	809252	809254	925907	
	11-1/4			-	926033	-	926035	



Item availability may vary by region.

Special orders are non-cancelable, non-returnable and non-refundable.

[www.heritageplastics.com](http://www.heritageplastics.com)

# PVC Schedule 80 - Special Radius Elbows (Belled End)

Listed to UL 651

Trade Size	Degree	Standard Package Quantity	System Part Number					
			18" Radius	24" Radius	30" Radius	36" Radius	48" Radius	60" Radius
1-1/2	90	25	-	-	-	926000	-	-
2	90	50	-	926007	-	926011	925634	-
	45		-	924968	-	924969	-	-
	22-1/2		-	926024	-	-	-	-
	11-1/4		-	925875	-	-	-	-
2-1/2	90	50	-	925761	926010	926012	925645	-
3	90	50	925657	926009	925658	926013	924996	925659
	45		-	924991	-	924992	925654	-
	30		-	924988	-	-	-	-
	22-1/2		924981	926025	925648	924983	924984	-
	11-1/4		-	925646	-	925647	-	-
4	90	25	-	925008	925673	926014	925010	925012
	45		-	925669	-	925004	925005	925672
	22-1/2		-	926026	-	926027	925000	925667
	11-1/4		-	-	-	925661	924998	-
5	90	20	NOT AVAILABLE	925017	-	925019	925020	-
	45			925015	-	925016	925684	925685
	22-1/2			-	-	925014	-	-
6	90	16	NOT AVAILABLE	-	925028	-	925030	925031
	45			-	925025	925026	925027	925694
	22-1/2			-	925022	925023	925024	-



Item availability may vary by region.

Special orders are non-cancelable, non-returnable and non-refundable.

[www.heritageplastics.com](http://www.heritageplastics.com)

# PVC Duct - Special Radius Sweeps (Belled End)

Trade Size	Degree	Standard Package Quantity	System Part Number					
			18" Radius	24" Radius	30" Radius	36" Radius	48" Radius	60" Radius
1	45	25	903448	903449	-	-	-	-
	90		924586	924587	-	924588	-	-
1-1/2	90	25	924180	924592	-	924593	924185	924187
	45		924590	924591	-	924191	-	-
	30		924589	-	-	-	-	-
2	90	50	924610	924611	-	924612	924613	924614
	45		924605	924606	-	924607	924608	924609
	22-1/2		924599	924600	-	924601	924602	924603
	11-1/4		925448	924594	-	924595	924596	924597
3	90	50	924629	924630	-	924631	924632	924633
	45		924624	924625	-	924626	924627	924628
	22-1/2		924618	924619	-	924620	-	924622
	11-1/4		-	925984	-	924616	-	925455
4	90	25	-	924651	-	924652	924653	924654
	45		-	924646	-	924647	924648	924649
	30		-	924644	-	924645	-	-
	22-1/2		924639	924640	-	924641	924642	924643
	11-1/4		-	924635	-	925986	925989	924638
5	90	20	NOT AVAILABLE	926468	-	924667	924668	924669
	45			924662	925476	924663	924664	924665
	30			-	-	924210	924661	-
	22-1/2			924657	-	924658	924659	924660
	11-1/4			-	925985	925987	925990	924656
6	90	16	NOT AVAILABLE	-	-	924681	924682	924683
	45			-	-	924678	924679	924680
	30			-	-	924211	-	-
	22-1/2			-	924230	924674	924675	925981
	11-1/4			-	-	925988	925481	924672

- These sweeps are made from DB 120 bend stock
- These are suitable to be used with any EB/DB duct products

Item availability may vary by region.

Special orders are non-cancelable, non-returnable and non-refundable.

## PVC C-Duct - Special Radius Sweeps (Belled End)

Trade Size	Degree	Standard Package Quantity	System Part Number			
			24" Radius	36" Radius	48" Radius	60" Radius
4	90	25	925052	925054	924233	925057
	45		925046	925048	924234	925051
	22-1/2		925039	925041	924238	925044
	11-1/4		-	924240	924241	925037



Item availability may vary by region.

Special orders are non-cancelable, non-returnable and non-refundable.

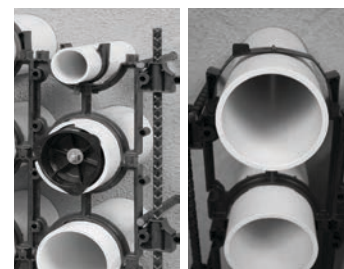
[www.heritageplastics.com](http://www.heritageplastics.com)

# Spacers

## Intermediate Spacers

Trade Size	System Part Number	Standard Package Quantity
2 x 1-1/2	1501	350
2 x 2	1521	300
2 x 3	1541	200
3 x 1-1/2	1561	225
3 x 2	1581	200
3 x 3	1601	125
4 x 1	1201	200
4 x 1-1/2	1851	150
4 x 2	1241	125
4 x 3	1891	90
5 x 1-1/2	1281	100
5 x 2	1301	100
5 x 3	1911	80
6 x 1-1/2	1321	100
6 x 2	1341	90
6 x 3	1621	70
8 x 2	1981	60

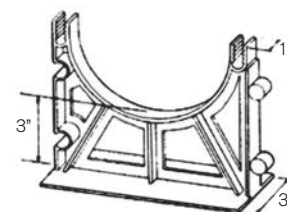
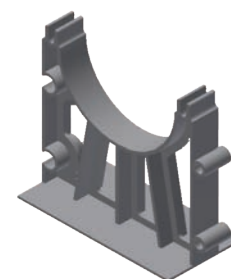
- Standard package quantity may vary by region.
- Spacer illustrations for reference only. Actual spacer structure may vary.



## Base Spacers

Trade Size	System Part Number	Standard Package Quantity
2 x 1-1/2	1511	250
2 x 2	1531	225
2 x 3	1551	225
3 x 1-1/2	1571	175
3 x 2	1591	155
3 x 3	1611	150
4 x 1	1211	175
4 x 1-1/2	1861	140
4 x 2	1251	140
4 x 3	1901	120
5 x 1-1/2	1291	120
5 x 2	1311	120
5 x 3	1921	100
6 x 1-1/2	1331	100
6 x 2	1351	100
6 x 3	1631	95
8 x 2	1991	50

- Standard package quantity may vary by region.
- Spacer illustrations for reference only. Actual spacer structure may vary.



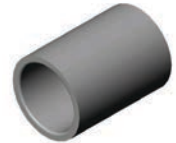
Item availability may vary by region.

Special orders are non-cancelable, non-returnable and non-refundable.

# PVC Couplings and Adapters

## Couplings

Trade Size	System Part Number	Standard Package Quantity
1/2	59601	200
3/4	59602	125
1	59603	70
1-1/4	59604	40
1-1/2	59605	30
2	59606	40
2-1/2	59607	20
3	59608	40
3-1/2	59609	30
4	59610	20
5	59611	10
6	59612	8
8*	924576	1



## Female Adapters

Trade Size	System Part Number	Standard Package Quantity
1/2	59630	200
3/4	59631	125
1	59632	70
1-1/4	59633	40
1-1/2	59634	30
2	59635	40
2-1/2	59636	20
3	59637	40
3-1/2	59638	30
4	59639	20
5	59640	10
6	59641	8
8*	59642	2



## Terminal Adapters

Trade Size	System Part Number	Standard Package Quantity
1/2	59615	200
3/4	59616	125
1	59617	70
1-1/4	59618	40
1-1/2	59619	30
2	59620	40
2-1/2	59621	20
3	59622	40
3-1/2	59623	30
4	59624	20
5	59625	10
6	59626	8
8*	59627	2



• Fitting illustration for reference only

\* UL 651 does not include 8"

Item availability may vary by region.

Special orders are non-cancelable, non-returnable and non-refundable.

[www.heritageplastics.com](http://www.heritageplastics.com)

# PVC Couplings and Adapters

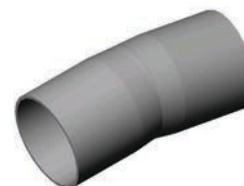
## Long Line Couplings

Trade Size	System Part Number	Standard Package Quantity
1-1/2	924066	25
2	925111	20
2-1/2	925112	25
3	925113	25
4	925114	15
5	925115	8
6	925116	4



## 5° Couplings - Bell x Bell

	Trade Size	System Part Number	Standard Package Quantity
DB	1-1/2	924518	50
	2	924519	50
	3	924521	30
	4	924523	30
	5	924525	15
	6	924527	10
Sch40	2	802731	50
	2-1/2	802732	30
	3	802733	30
	3-1/2	802734	30
	4	802735	30
	5	802736	15
	6	802737	10
C-duct	4	925351	30



## 5° Couplings - Bell x Spigot

	Trade Size	System Part Number	Standard Package Quantity
DB	1-1/2	924168	50
	2	924520	50
	3	924522	30
	4	924524	30
	5	924526	15
	6	924528	10
Sch40	2	924348	50
	2-1/2	925252	30
	3	924349	30
	3-1/2	924068	30
	4	924350	30
	5	924352	15
	6	924353	10



Item availability may vary by region.

Special orders are non-cancelable, non-returnable and non-refundable.



# PVC Couplings and Adapters

## Swedge Couplings

	Trade Size	System Part Number	Standard Package Quantity
DB	1-1/2	924543	50
	2	924544	50
	3	924152	30
	4	924153	30
	5	924154	15
	6	924155	10
Sch40	1	924371	50
	1-1/4	924069	50
	1-1/2	895123	50
	2	895124	50
	2-1/2	895125	30
	3	895126	30
	4	895127	30
	5	895128	15
	6	895129	10
Sch80	2	924570	50
	3	924571	30
C-Duct	4 C-Duct to 4 Duct	925352	30
	4	924578	30



Item availability may vary by region.

Special orders are non-cancelable, non-returnable and non-refundable.

# PVC Couplings and Adapters

## Repair Coupling Sleeves

	Trade Size	System Part Number	Standard Package Quantity
DB	1-1/2	924529	50
	2	924530	50
	3	924531	30
	4	924532	30
	5	924533	15
	6	924534	10
Sch40	1	924354	50
	1-1/4	924355	50
	1-1/2	924356	50
	2	924357	50
	2-1/2	924358	30
	3	924359	30
	4	924360	30
	5	924361	15
C-Duct	4	924242	30



## Repair Coupling Sleeves - 12 inch lengths

	Trade Size	System Part Number	Standard Package Quantity
Sch40	1-1/4	924070	30
	1-1/2	924071	30
	2	924072	30
	2-1/2	924073	25
	3	924074	25
	3-1/2	924075	25
	4	924076	15
	5	924077	8
6	924078	5	



## Swedge Reducers - Spigot x Spigot

	Trade Size	System Part Number	Standard Package Quantity
DB	2-1/2 x 2	924535	100
	3 x 2	924536	80
	3 x 2-1/2	924537	80
	4 x 3	924539	60
	5 x 4	924540	36
	6 x 5	924542	36
Sch40	1-1/2 x 1	924363	25
	2 x 1-1/2	924364	25
	2-1/2 x 2	924365	80
	3 x 2	924366	80
	3 x 2-1/2	924367	80
	4 x 3	924368	60
	5 x 4	924369	36
	6 x 5	924370	36
Sch80	3 x 2	924568	80
	4 x 3	924569	60
	5 x 4	925350	36



Item availability may vary by region.

Special orders are non-cancelable, non-returnable and non-refundable.

# PVC Expansion Couplings and Meter Risers

## Expansion Couplings - Two Piece

Trade Size	System Part Number	Standard Package Quantity
1/2	789646	25
3/4	789647	10
1	789648	10
1-1/4	789649	5
1-1/2	789650	5
2	789651	25
2-1/2	789652	12
3	789653	12
3-1/2	789654	6
4	789655	6
5	789656	1
6	789657	1



## Expansion Couplings - One Piece

Trade Size	System Part Number	Standard Package Quantity
1/2	924549	50
3/4	924061	50
1	924062	50
1-1/4	924063	25
1-1/2	924064	25
2	924065	25



## 2' Slip Meter Risers Schedule 40

Trade Size	System Part Number	Standard Package Quantity
2	924082	1
2-1/2	924083	1
3	924084	1
4	924085	1



## 7' Meter Risers Schedule 80

Trade Size	System Part Number	Standard Package Quantity
2	924088	1



Item availability may vary by region.

Special orders are non-cancelable, non-returnable and non-refundable.

[www.heritageplastics.com](http://www.heritageplastics.com)

# PVC Accessories

## Pipe Straps - PVC - 2 Hole



Trade Size	System Part Number	Standard Package Quantity
1/2	59280	300
3/4	59281	200
1	59282	200
1-1/4	59283	200
1-1/2	59284	200
2	59285	200
2-1/2	802839	100
3	802840	100
4	802842	100

## Pulling Elbows



Trade Size	System Part Number	Standard Package Quantity
1/2	52400	75
3/4	52401	50
1/2 & 3/4*	925119	75

\*Fits 1/2" and 3/4" PVC pipe

Includes:

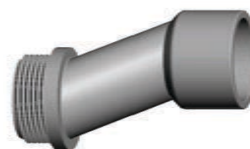
- 1.) 3/4" pull elbow
- 2.) 3/4" socket x 1/2" socket reducer bushing

## Service Entrance Heads



Trade Size	System Part Number	Standard Package Quantity
1/2	59269	10
3/4	59270	10
1	59271	20
1-1/4	59272	20
1-1/2	59273	20
2	59274	5
2-1/2	59275	5
3	59276	5
3-1/2	59277	5
4	59278	1

## Meter Offsets



Trade Size	System Part Number	Standard Package Quantity
1-1/4	59193	15
2	59194	8

Item availability may vary by region.

Special orders are non-cancelable, non-returnable and non-refundable.

# PVC Access Fittings

## Type LB



Trade Size	System Part Number	Standard Package Quantity
1/2	59200	25
3/4	59201	15
1	59202	10
1-1/4	59203	10
1-1/2	59204	10
2	59205	5
2-1/2	59206	5
3	59207	5
3-1/2	59208	4
4	59209	4

## Type LL



Trade Size	System Part Number	Standard Package Quantity
1/2	59210	25
3/4	59211	15
1	59212	10
1-1/4	59213	10
1-1/2	59214	10
2	59215	5
2-1/2	59216	5
3	59217	5
3-1/2	59218	4
4	59219	4

## Type LR



Trade Size	System Part Number	Standard Package Quantity
1/2	59220	25
3/4	59221	15
1	59222	10
1-1/4	59223	10
1-1/2	59224	10
2	59225	5
2-1/2	59226	5
3	59227	5
3-1/2	59228	4
4	59229	4

## Type T



Trade Size	System Part Number	Standard Package Quantity
1/2	59230	25
3/4	59231	15
1	59232	10
1-1/4	59233	10
1-1/2	59234	10
2	59235	5
2-1/2	59236	2
3	59237	2
3-1/2	59238	1
4	59239	1

Item availability may vary by region.

Special orders are non-cancelable, non-returnable and non-refundable.

# PVC Access Fittings & PVC Junction Boxes

## Type C



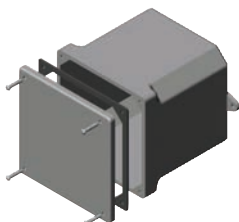
Trade Size	System Part Number	Standard Package Quantity
1/2	59260	25
3/4	59261	15
1	59262	10
1-1/4	59263	10
1-1/2	59264	10
2	59265	5
2-1/2	59266	5
3	59267	5
3-1/2	59268	4
4	59279	4

## Type E



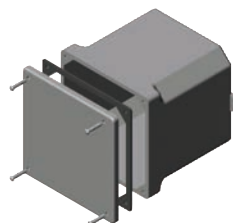
Trade Size	System Part Number	Standard Package Quantity
1/2	59090	25
3/4	59091	15
1	59092	10
1-1/4	59093	10
1-1/2	59094	10
2	59095	5
2-1/2	59296	5
3	59297	5
3-1/2	59298	4
4	59299	4

## Junction Boxes with Self Tapping Screws



Trade Size	System Part Number	Standard Package Quantity
4x4x2	59250	10
4x4x4	59251	10
4x4x6	59252	10
5x5x2	59253	10
6x6x4	59254	10
6x6x6	59255	5
8x8x4	59256	5
8x8x7	59257	4
12x12x4	59258	2
12x12x6	59259	2
12x12x8	802944	3

## Junction Boxes with Brass Screw Inserts



Trade Size	System Part Number	Standard Package Quantity
4x4x2	925085	15
4x4x4	925086	10
4x4x6	925087	8
5x5x2	925088	12
6x6x4	925089	15
6x6x6	925090	4
8x8x4	925091	4
8x8x7	925092	4
12x12x4	925082	2
12x12x6	925083	4
12x12x8	925084	3
12x12x12	924059	1

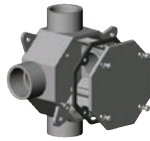
Item availability may vary by region.

Special orders are non-cancelable, non-returnable and non-refundable.

# PVC Junction Boxes & Accessories

## Octagonal Boxes

Trade Size	Description	System Part Number	Standard Package Quantity
4 x 1-1/2	w/3/4 hub	802804	15
4 x 2	w/1 hub	802805	12



## Floor Box Base

Trade Size	System Part Number	Standard Package Quantity
1	33758	5

- Includes:
  - 1.) Temporary protective cover
  - 2.) Two 1" x 3/4" reducer plugs
  - 3.) Three 3/4" x 1/2" reducer plugs



## Octagonal Box Rings

Trade Size	Description	System Part Number	Standard Package Quantity
1	box ring	802808	20
2	box ring	802809	20



## Floor Box Adapter Kit

System Part Number	Standard Package Quantity
924080	10

- Adapts metal cover to floor box
- Includes:
  - 1.) Leveling ring
  - 2.) Metal cover adapter
  - 3.) 2 Gaskets



## Floor Box Cover - Duplex Receptacle

Description	System Part Number	Standard Package Quantity
Brown	925059	10
Gold	925060	10



## Floor Box Divider Kit

System Part Number	Standard Package Quantity
924081	10

- Adapts metal cover to floor box
- Includes:
  - 1.) Expandable base divider
  - 2.) 1-1/4" ENT riser tube
  - 3.) Upper divider



## Floor Box Leveling Ring

Description	System Part Number	Standard Package Quantity
Universal	925742	10



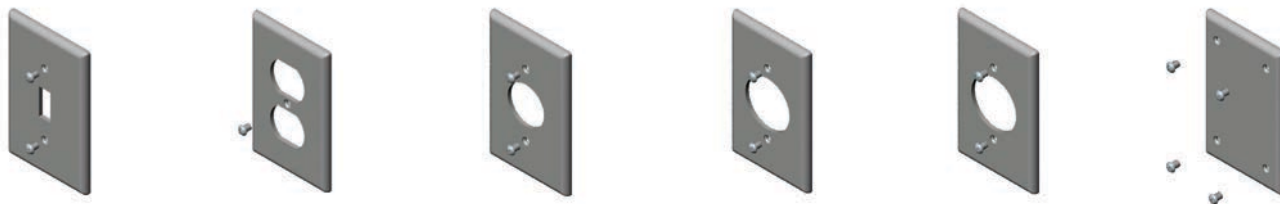
Item availability may vary by region.

Special orders are non-cancelable, non-returnable and non-refundable.

[www.heritageplastics.com](http://www.heritageplastics.com)

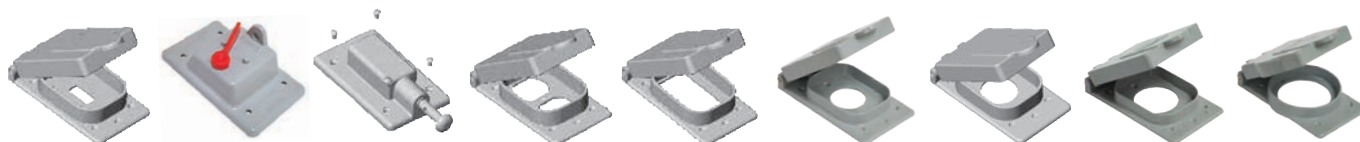
# PVC Cover Plates & Weatherproof Box Covers

## Single Gang Cover Plates



Description	System Part Number	Standard Package Quantity
Toggle Switch	802883	100
Duplex Receptacle	924581	100
Single Receptacle - 15 amps	924314	100
Single Receptacle - 20 amps	802885	100
Single Receptacle - 30 amps	924322	100
Single Blank w/Gasket	925076	50

## Single Gang Cover - Weatherproof



Description	System Part Number	Standard Package Quantity
Toggle Switch	925744	10
Toggle Switch w/ Lock	925140	10
Plunger Switch	924041	10
Duplex Receptacle	925146	10
GFI Receptacle	925148	10
Receptacle - 15 Amp	925149	10
Receptacle - 20 Amp	925150	10
Receptacle - 30 Amp	925151	10
Receptacle - 50 Amp	925152	10

## Double Gang Cover Plates



Description	System Part Number	Standard Package Quantity
Double Switch	925126	50
Combo Switch/Receptacle	925128	50
Double Duplex	924582	50
Double Blank w/Gasket	924574	50

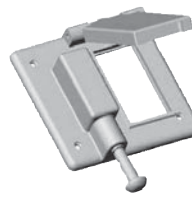
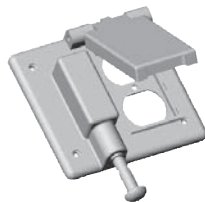
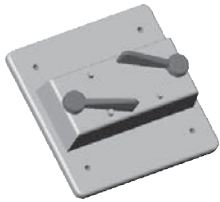
Item availability may vary by region.

Special orders are non-cancelable, non-returnable and non-refundable.



# PVC Cover Plates & Weatherproof Box Covers

## Double Gang Cover - Weatherproof



Description	System Part Number	Standard Package Quantity
Double Toggle Switch Cover w/lock	802906	10
Switch and Duplex Receptacle	924047	10
Switch and GFI Receptacle	924048	10
Switch and Receptacle 1.375	924052	10

• Fits F Series outlet boxes



Description	System Part Number	Standard Package Quantity
Double GFI Receptacle	924045	10
Double Duplex Receptacle	924046	10

• Fits F Series outlet boxes

## Triple Gang Cover Plates



Description	Part Number	Unit Quantity
Triple Switch	802909	50
Double Switch/Single Receptacle	802914	50
Single Switch/Double Receptacle	924049	50
Triple Receptacle	802916	50
Triple Blank w/gasket	802917	50

Item availability may vary by region.

Special orders are non-cancelable, non-returnable and non-refundable.

[www.heritageplastics.com](http://www.heritageplastics.com)

# PVC Exposed Boxes - Single Gang

## FSE



Trade Size	System Part Number	Standard Package Quantity
1/2	59240	10
3/4	59241	10
1	59242	10

## FSS



Trade Size	System Part Number	Standard Package Quantity
1/2	59243	10
3/4	59244	10
1	924025	10

## FSE - Deep



Trade Size	System Part Number	Standard Package Quantity
1	925942	10
1/2 - 3/4 - 1	925075	10

## FSCC



Trade Size	System Part Number	Standard Package Quantity
1/2	59345	10
3/4	59346	10
1	59347	10

## FSC



Trade Size	System Part Number	Standard Package Quantity
1/2	59246	10
3/4	59247	10
1	59248	10

## FD - Deep



Trade Size	System Part Number	Standard Package Quantity
Blank	925062	10

## FSC - Deep



Trade Size	System Part Number	Standard Package Quantity
1/2 - 3/4 - 1	925071	10

Item availability may vary by region.  
Special orders are non-cancelable, non-returnable and non-refundable.

# PVC Exposed Boxes - Double Gang

## FSE



Trade Size	System Part Number	Standard Package Quantity
1/2	924026	5
3/4	924027	5
1	924028	5
1/2 - 3/4 - 1	925739	5

## FSS



Trade Size	System Part Number	Standard Package Quantity
1/2	802864	5
3/4	802865	5
1	59348	5
1/2 - 3/4 - 1	925740	5

## FSC



Trade Size	System Part Number	Standard Package Quantity
1/2	802867	5
3/4	802868	5
1	802869	5
1/2 - 3/4 - 1	925068	5

## FSCC



Trade Size	System Part Number	Standard Package Quantity
1/2	802870	5
3/4	802871	5
1	59349	5
1/2 - 3/4 - 1	925070	5

## FD - Deep



Trade Size	System Part Number	Standard Package Quantity
Blank	59155	5

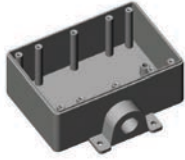
Item availability may vary by region.

Special orders are non-cancelable, non-returnable and non-refundable.

[www.heritageplastics.com](http://www.heritageplastics.com)

# PVC Exposed Boxes - Triple Gang

## FSE



Trade Size	System Part Number	Standard Package Quantity
1/2	802878	5
3/4	802879	5
1	802880	5
1/2 - 3/4 - 1	925074	10

## FSC



Trade Size	System Part Number	Standard Package Quantity
1/2	802874	5
3/4	802876	5
1	59146	5

## FD - Deep



Trade Size	System Part Number	Standard Package Quantity
Blank	802881	5

Item availability may vary by region.

Special orders are non-cancelable, non-returnable and non-refundable.

# PVC Fittings - Miscellaneous

## Caps

Trade Size	System Part Number	Standard Package Quantity
1/2	59645	100
3/4	59646	100
1	59647	50
1-1/4	59648	25
1-1/2	59649	25
2	59125	50
2-1/2	59126	25
3	59127	25
3-1/2	59131	25
4	59128	25
5	59129	25
6	59130	10
8	924585	1



## Poly Plugs

Trade Size	System Part Number	Standard Package Quantity
1	925133	100
1-1/4	925134	100
1-1/2	925135	100
2	59651	100
2-1/2	925132	100
3	59653	80
3-1/2	925137	80
4	59655	50
5	59656	40
6	59657	30
8	925138	12



## Reducer Bushings

Trade Size	System Part Number	Standard Package Quantity
3/4 x 1/2	59897	100
1 x 1/2	802738	100
1 x 3/4	59899	100
1-1/4 x 3/4	802739	50
1-1/4 x 1	59901	50
1-1/2 x 1	802740	25
1-1/2 x 1-1/4	59903	50
2 x 1	802741	50
2 x 1-1/4	802742	25
2 x 1-1/2	59905	25
2-1/2 x 2	59906	25
3 x 2	802743	25
3 x 2-1/2	59909	25
4 x 2	802744	15
4 x 3	59908	20
4 x 3-1/2	59910	20



## Expandable Plugs

Trade Size	System Part Number	Standard Package Quantity
1	925094	50
1-1/4	925095	50
1-1/2	925096	50
2	925097	50
2-1/2	925098	30
3	925100	30
4	925104	30
5	925106	20



## End Bells

Trade Size	System Part Number	Standard Package Quantity
1/2	59673	100
3/4	59674	100
1	59675	50
1-1/4	59676	50
1-1/2	59677	50
2	59678	40
2-1/2	59679	30
3	59680	50
3-1/2	59681	50
4	59682	50
5	59683	25
6	59684	15
8	59685	1



## Junction Box Adapters

Trade Size	System Part Number	Standard Package Quantity
1/2	33715	100
3/4	33716	100
1	33717	100
1 1/4	33718	50
1 1/2	33719	50
2	33720	25
2 1/2	33721	10
3	33722	10
3-1/2	33723	10
4	33724	10



## Threaded Reducer Bushings

Trade Size	System Part Number	Standard Package Quantity
3/4 x 1/2	924056	600
1 x 1/2	924058	300
1 x 3/4	924057	300



Item availability may vary by region.

Special orders are non-cancelable, non-returnable and non-refundable.

[www.heritageplastics.com](http://www.heritageplastics.com)

## PVC Fittings - Solvent Cement/Primer/Cleaner

	Size	System Part Number	Standard Package Quantity
<b>Cement - Medium Body - Clear</b>	1/2 Pint	925353	24
	Pint	925354	12
	Quart	895092	12
	Gallon	925356	6
<b>Cement - Medium Body - Gray</b>	Pint	925357	12
	Quart	925358	12
	Gallon	925359	6
<b>Cement - Regular Body - Clear</b>	1/2 Pint	895133	24
	Pint	895091	12
	Quart	926051	12
<b>All Weather Cement - Medium Body - Clear</b>	Pint	926054	12
	Quart	926055	12
<b>All Weather Cement - Medium Body - Blue</b>	Pint	924579	12
	Quart	924580	12
<b>Primer - Clear</b>	Pint	926040	12
	Quart	813087	12
<b>Primer - Purple</b>	1/2 Pint	926042	24
	Pint	926043	12
	Quart	925118	12
<b>Cleaner</b>	Pint	926037	12
	Quart	926038	12

Item availability may vary by region.

Special orders are non-cancelable, non-returnable and non-refundable.



**MANUFACTURING LOCATIONS AND CUSTOMER SERVICE CONTACT INFORMATION:**

Binghamton, NY  
PHONE/ 607-775-4340

Milford, UT  
PHONE/ 844-332-8745

Eugene, OR  
PHONE/ 877-811-7473

Louisville, KY  
PHONE/ 502-380-8416

Weatherford, TX  
PHONE/ 817-594-8791

Tampa, FL  
PHONE/ 800-282-2786

Thomasville, GA  
PHONE/ 800-882-5543

**CORPORATE HEADQUARTERS:**

Harvey, IL 60426  
TOLL-FREE / 800-882-5543

[www.heritageplastics.com](http://www.heritageplastics.com)



**UNISTRUT**



**RAZOR RIBBON**

**FLEXHEAD INDUSTRIES**



**Konkore FITTINGS**

**Columbia-MBF**



**UNISTRUT Construction**



**TECTRON Tube**



**SprinkFLEX**



**KAF-TECH**

**SCI STEEL COMPONENTS INC.**