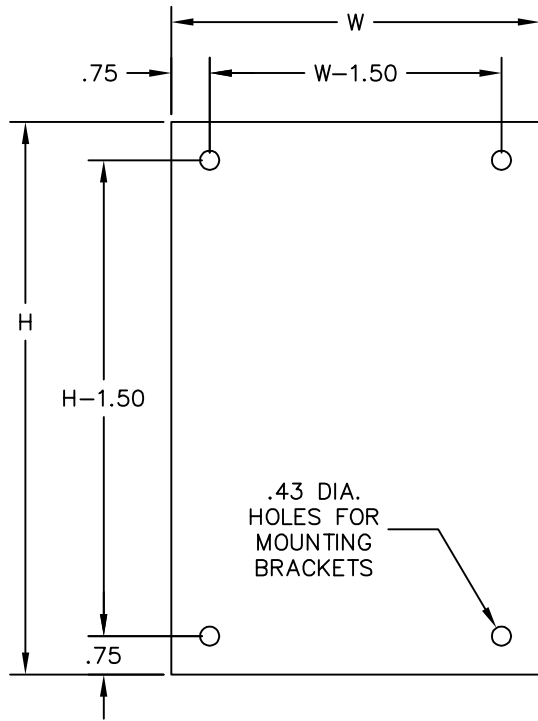


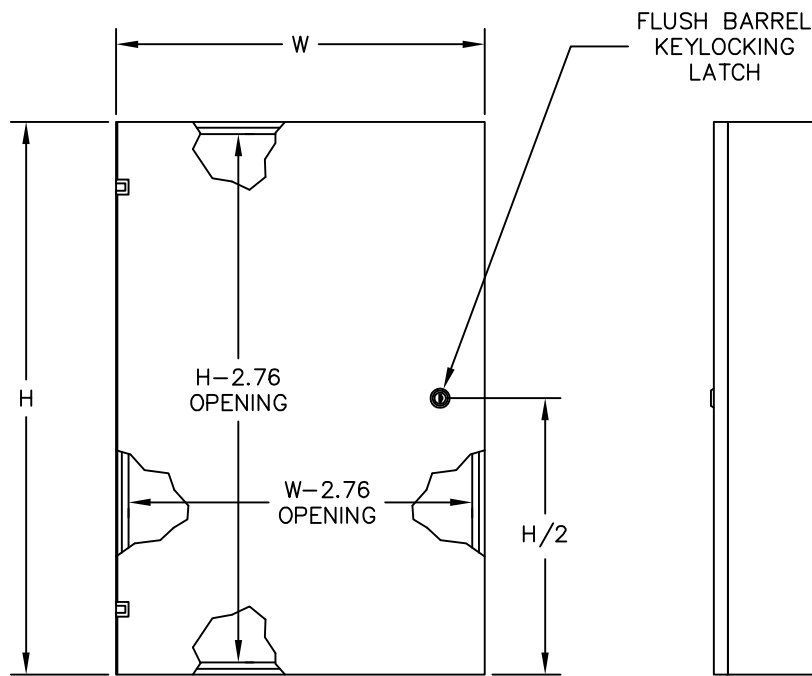
CATALOG#: N412

UL LISTED

CANADIAN UL LISTED



BACK VIEW



FRONT VIEW

SIDE VIEW

**CONSTRUCTION:**

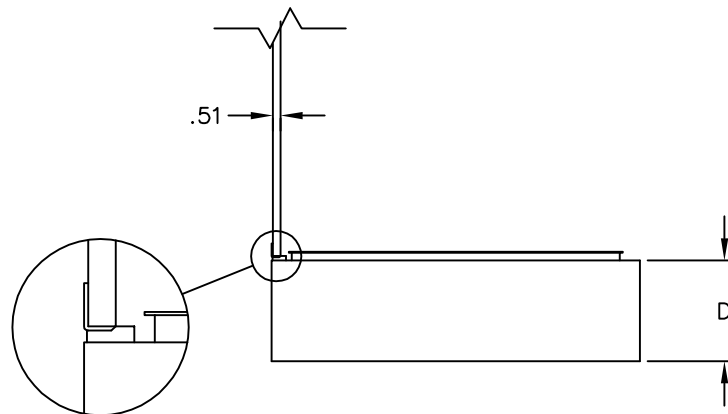
- 16 GAUGE PAINT GRIP GALVANIZED STEEL.
- SPECIAL HIDDEN BUTT HINGE WITH REMOVABLE CAPTIVE PIN ALLOWS FOR EASY REMOVAL AND INTER-CHANGING OF DOORS.
- OFFSET BODY ALLOWS COVER TO BE FLUSH WITH BOX.
- NEARLY FLUSH QUARTER TURN LATCH HOLDS DOOR SECURELY CLOSED.
- OIL RESISTANT DOOR GASKET.
- STUDS PROVIDED FOR MOUNTING OPTIONAL PANEL.

**FINISH:**

- ANSI 61 POLYESTER POWDER COATING INSIDE AND OUT OVER PAINT GRIP GALVANIZED STEEL.

-H-	-W-	-D-

TYPE 4 & 12 HINGED ENCLOSURE  
(ENCLOSURES 24H X 20W AND SMALLER)



APPROVAL: \_\_\_\_\_



E-BOX  
101 Air Park Industrial Road  
Alabaster, Alabama 35007  
Phone: (205)663-9189  
Fax: (205)663-9587

